

## AGRIMATE AM-405E-ELITE BATTERY SPRAYER- High Pressure Double Pump



**Before operating the Machine  
Please read the instruction manual carefully**



Good Products – Great Values

**Dear Sir/Madam,**

Thank you for choosing Agrimate product. You are the proud owner of high technology and durable machine. Trust that our franchisee/dealer installed the product and explained you about the usage and service instructions. Please visit our authorised dealer for your future requirement of our other equipments, genuine spares, accessories and service. Service coupons are attached with this manual and you can avail free service to keep your machine fit always to use on demand.

### **About Ratnagiri**

We import and market of high quality of agriculture wide range of equipment's Which we are selling through our authorized franchisee or dealer network. We are in this field from past 20 years serving the former community. For further details, you may please visit our website [www.agrimart.in](http://www.agrimart.in), Tool Free No: 1800-425-3036.

#### Range of Brands

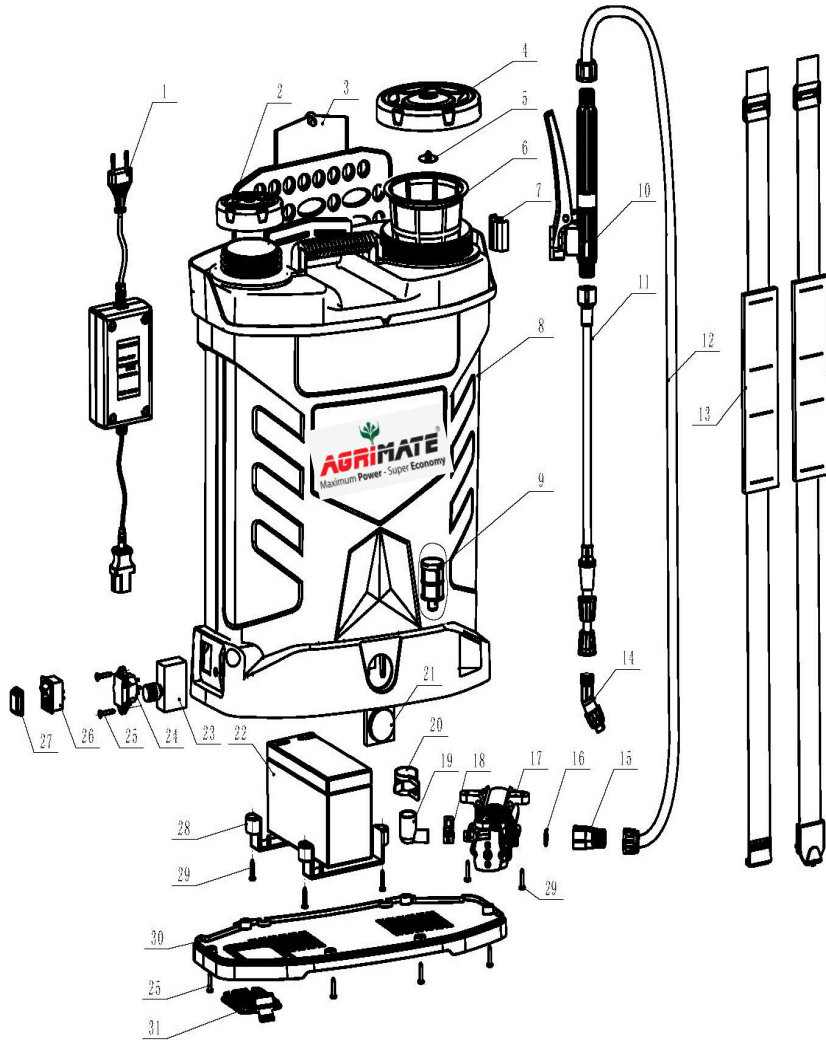


#### Our Retail Formats



Agriculture | Horticulture | Sericulture | Plantations | Forestry | Garden | Health care

# DIAGRAM OF AM-405E-ELITE BATTERY SPRAYER



# SPARE PART LIST OF AM-405E-ELITE BATTERY SPRAYER

<b>SL NO</b>	<b>PART LIST</b>	<b>DESCRIPTION</b>
1	AM-405E-ELITE01	CHARGER
2	AM-405E-ELITE02	STORAGE COVER
3	AM-405E-ELITE03	BACKREST
4	AM-405E-ELITE04	FILTER CAP
5	AM-405E-ELITE05	SEAL VALVE PLATE
6	AM-405E-ELITE06	FILTER
7	AM-405E-ELITE07	LANCE HOLDER
8	AM-405E-ELITE08	TANK
9	AM-405E-ELITE09	FILTER
10	AM-405E-ELITE10	TRIGGER
11	AM-405E-ELITE11	LANCE
12	AM-405E-ELITE12	PIPE
13	AM-405E-ELITE13	BELT
14	AM-405E-ELITE14	NOZZLE
15	AM-405E-ELITE15	OUTLET

# SPARE PART LIST OF AM-405E-ELITE BATTERY SPRAYER

16	AM-405E-ELITE16	O RING
17	AM-405E-ELITE17	PUMP
18	AM-405E-ELITE18	CLAMP
19	AM-405E-ELITE19	INLET
20	AM-405E-ELITE20	CLAMP
21	AM-405E-ELITE21	VOLTMETER
22	AM-405E-ELITE22	BATTERY
23	AM-405E-ELITE23	SPEED REGULATOR
24	AM-405E-ELITE24	SOCKET
25	AM-405E-ELITE25	SCREW
26	AM-405E-ELITE26	SWITCH
27	AM-405E-ELITE27	SWITCH COVER
28	AM-405E-ELITE28	BATTERY STRIP
29	AM-405E-ELITE29	SCREW
30	AM-405E-ELITE30	PEDESTAL
31	AM-405E-ELITE31	DECKBOARD



### 1st Free Service Coupon

ISO 9001:2015  
CERTIFIED COMPANY

**FREE SERVICE COUPON (30 Days / 30 hrs (Which ever is earlier))**

Model <b>Battery Sprayer AM-405E-Elite</b>	Serial Number
---	---------------

PDI Date	Service No.	Purchase bill no.	Date
----------	-------------	-------------------	------

Dealer's Office Seal

Dealer Signature.....

Customer Signature.....

*Conditions: Operations listed have been performed to my entire satisfaction without any labour charges. Only consumables were charged.*

agriculture horticulture sericulture plantations forestry garden health care

WARRANTY AND FREE SERVICE COUPON



### 2nd Free Service Coupon

ISO 9001:2015  
CERTIFIED COMPANY

**FREE SERVICE COUPON 60 Days/60 hrs (Which ever is earlier)**

Model <b>Battery Sprayer AM-405E-Elite</b>	Serial Number
---	---------------

PDI Date	Service No.	Purchase bill no.	Date
----------	-------------	-------------------	------

Dealer's Office Seal

Dealer Signature.....

Customer Signature.....

*Conditions: Operations listed have been performed to my entire satisfaction without any labour charges. Only consumables were charged.*

agriculture horticulture sericulture plantations forestry garden health care

WARRANTY AND FREE SERVICE COUPON



### 3rd Free Service Coupon

ISO 9001:2015  
CERTIFIED COMPANY

**FREE SERVICE COUPON 90 Days/120 hrs (Which ever is earlier)**

Model <b>Battery Sprayer AM-405E-Elite</b>	Serial Number
---	---------------

PDI Date	Service No.	Purchase bill no.	Date
----------	-------------	-------------------	------

Dealer's Office Seal

Dealer Signature.....

Customer Signature.....

*Conditions: Operations listed have been performed to my entire satisfaction without any labour charges. Only consumables were charged.*

agriculture horticulture sericulture plantations forestry garden health care

WARRANTY AND FREE SERVICE COUPON

## INSPECTION & MAINTENANCE

For safety use, make sure the machine is cleaned every three-months. Before working, make sure to inspect the filter and the nozzle, and ensure there is no impurity. After working, make sure there is no water in the pump and the hose.

If the machine needs to be repaired in the guarantee period, please return the machine to the shop. You need to provide the certificate of purchase in order to repair or get the substitute.

Before Packing, the machine should be cleaned, then use closed packaging, packaging should be firm. Store the machine in dry place.

For transportation safety. The machine should comply with ISTA.



Meaning of crossed - out wheeled dustbin:

Do not dispose of electrical machines as unsorted municipal waste, use separate collection facilities.

If electrical machines are disposed of in landfills or dumps, hazardous substances can leak into the groundwater and get into the food chain, damaging your health and well-being.

When replacing old machines with new ones, the retailer is legally obligated to take back your old machine for disposals at least free of charge.

## Warranty Card

CUSTOMER COPY



Date \_\_\_\_\_

Purchaser's Name & Address

\_\_\_\_\_  
\_\_\_\_\_  
\_\_\_\_\_

Product Name

**Battery Sprayer AM-405E-Elite**

Product Serial No.

\_\_\_\_\_

Invoice / DN No.

\_\_\_\_\_

Date of Delivery

\_\_\_\_\_

Dealer's Office Seal

\_\_\_\_\_

Dealer Sign \_\_\_\_\_

Customer Sign. \_\_\_\_\_

I/We accept the terms and conditions of Warranty as in the Warranty Card.

## Warranty Card

DEALER'S COPY



Date \_\_\_\_\_

Purchaser's Name & Address

\_\_\_\_\_  
\_\_\_\_\_  
\_\_\_\_\_

Product Name

**Battery Sprayer AM-405E-Elite**

Product Serial No.

\_\_\_\_\_

Invoice / DN No.

\_\_\_\_\_

Date of Delivery

\_\_\_\_\_

Dealer's Office Seal

\_\_\_\_\_

Dealer Sign \_\_\_\_\_

Customer Sign. \_\_\_\_\_

I/We accept the terms and conditions of Warranty as in the Warranty Card.

## Warranty Card

COMPANY COPY



Date \_\_\_\_\_

Purchaser's Name & Address

\_\_\_\_\_  
\_\_\_\_\_  
\_\_\_\_\_

Product Name

**Battery Sprayer AM-405E-Elite**

Product Serial No.

\_\_\_\_\_

Invoice / DN No.

\_\_\_\_\_

Date of Delivery

\_\_\_\_\_

Dealer's Office Seal

\_\_\_\_\_

Dealer Sign \_\_\_\_\_

Customer Sign. \_\_\_\_\_

I/We accept the terms and conditions of Warranty as in the Warranty Card.



# Do's & Don'ts

- Always read the instruction manual supplied along with the equipments and understand the correct installation and operating procedures before attempting to use the equipments.
- It is important to use the personal protection equipments such as head helmet with visor, ear defenders, goggles, safety gloves, cut resistant shoes, trousers and jackets while operating potentially dangerous machines.
- Avoid untrained persons using the equipments. Children must not be allowed to handle these equipments.
- Always use genuine spares and accessories in repairs and usage to derive maximum life of the equipments.
- Always keep the equipments in good working condition to minimize loss of output as well as to reduce the pollution and save the environment.
- Do not use the machine within range of persons unless they wear protective clothing.
- Do not operate the machine when fatigued or under the influence of alcohol or drugs.
- For more query kindly contact for our Service Center/Dealer/ franchise



Small and Timely Maintenance - Big Savings

# MULTIPLY PROFITS

## WITH OUR MULTI CROP, MULTI PURPOSE EQUIPMENTS



Maximum Power - Super Economy  
**RANGE OF PRODUCTS**



BATTERY /  
MANUAL  
SPRAYER



PORTABLE  
POWER  
SPRAYER



KNAPSACK  
POWER  
SPRAYER



ROTARY  
TILLER



CHAFF  
CUTTER



TEA  
PRUNER



FOGGER



POWER  
WEEDER



CHAINSAW



ROTARY  
TILLER



LAWN  
MOWER



HIGH  
PRESSURE  
WASHER



EARTH  
AUGER



RIDE ON  
MOWER



our power, your passion  
**RANGE OF PRODUCTS**



Advanced Technology

Advanced Technology

**RANGE OF PRODUCTS**



BRUSH CUTTER  
- PUSH TYPE



BRUSH CUTTER -  
BACK PACK



BRUSH CUTTER -  
MULTI TOOL



POLE PRUNER



BLOWER  
BACK PACK



LAWN MOWER



BRUSH  
CUTTER



BACK PACK  
BC



TILLER



FOGGER



EARTH  
AUGER



Green Panther®

**RANGE OF PRODUCTS**

### OUR RETAIL FORMATS



FARM EQUIPMENT | GREEN CARE | SERVICES



FARM EQUIPMENT | GREEN CARE | SERVICES



FARM EQUIPMENT | GREEN CARE | SERVICES

IMPORTERS & MARKETING BY:

**Ratnagiri Impex Pvt. Ltd.**

Annappurna House, # 1/1G,

7th Cross New Guddadahalli,

Mysore Road Bangalore - 560 026, India

Ph: 080-26985100/1/2

Email: info@ratnagiriimpex.com



**TOLL FREE :**  
**1800-425-3036**

[www.ratnagiriimpex.com](http://www.ratnagiriimpex.com)

[www.agrimart.in](http://www.agrimart.in)



**ratnagiri  
impex**

BRINGING YOU THE FUTURE... NOW

An ISO 9001:2015 Certified Company

agriculture | horticulture | sericulture | plantations | forestry | garden | health care