

POWER SPRAYER

AMP-139F-4S

AM-K139-4S



DISCLAIMER: DUE TO CONSTANT UPGRADATION, FEATURES AND SPECIFICATIONS ARE SUBJECT TO CHANGE WITHOUT NOTICE



BEFORE OPERATING THIS MACHINE,
PLEASE READ THESE INSTRUCTIONS CAREFULLY



Good Products – Great Values

Dear Sir/Madam,

Thank you for choosing Agrimate product. You are the proud owner of high technology and durable machine. Trust that our franchisee/dealer installed the product and explained you about the usage and service instructions. Please visit our authorised dealer for your future requirement of our other equipments, genuine spares, accessories and service. Service coupons are attached with this manual and you can avail free service to keep your machine fit always to use on demand.

About Ratnagiri

We import and market of high quality of agriculture wide range of equipment's Which we are selling through our authorized franchisee or dealer network. We are in this field from past 20 years serving the former community. For further details, you may please visit our website www.agrimart.in, Tool Free No: 1800-425-3036.

Range of Brands



Our Retail Formats



Agriculture | Horticulture | Sericulture | Plantations | Forestry | Garden | Health care

TECHNICAL PARAMETERS

Model	AMP-139F-4S/AM-K139-4S
Name	Power Sprayer
Engine type	4Stroke petrol
Power	0.7kw/6500rpm
Displacement	31cc
Working pressure	2.5Mpa
Flow:	7.4L/min

TROUBLE ANALYSIS

Trouble	Cause	Solution
Can't supply water Unstable pressure	Strainer Assy blocked	Clean Strainer Assy
	Suction Hose leaked	Lock tightly Wing Net or replace Packing
	Redundant air inside pump	Exhaust redundant air inside pump
	Valve damaged or blocked	Eliminate impurities or replace Valve Seal
Cylinder leaked	Grand too loose	Lock tightly Grand (After machine stopped)
	V-packing damaged	Replace V-packing
Pressure shortage	Improper pressure adjustment	Adjust adjusting screw to proper pressure
	Belt too loose	Adjust belt to moderate tension
	High pressure pipe leaked	Check, repair, or replace high pressure pipe
	Valve or valve seat damaged	Replace valve or valve seat
Leaked oil	Oil seal damaged, unlocked tightly	Lock tightly or replace relevant oil seal
Temperature too high	No lubricating oil or too dirty	Add grease on time, replace clean lubricating oil
	Pressure or velocity too high	Adjust to proper pressure or velocity

We reserve the right for revision without further notice !

TROUBLE SHOOTING

1. Fail to start

- Oil switch is not turned on
- Gasoline is mixed with water, replace it
- The ignition plug has accumulated carbon or has been broken
- Poor contact of the high voltage wire with the spark plug

2. The engine can start, but can't run fast

- The choke is either open or closed fully
- The ratio of engine oil and the gasoline is normal or not
- Maybe there is water in gasoline

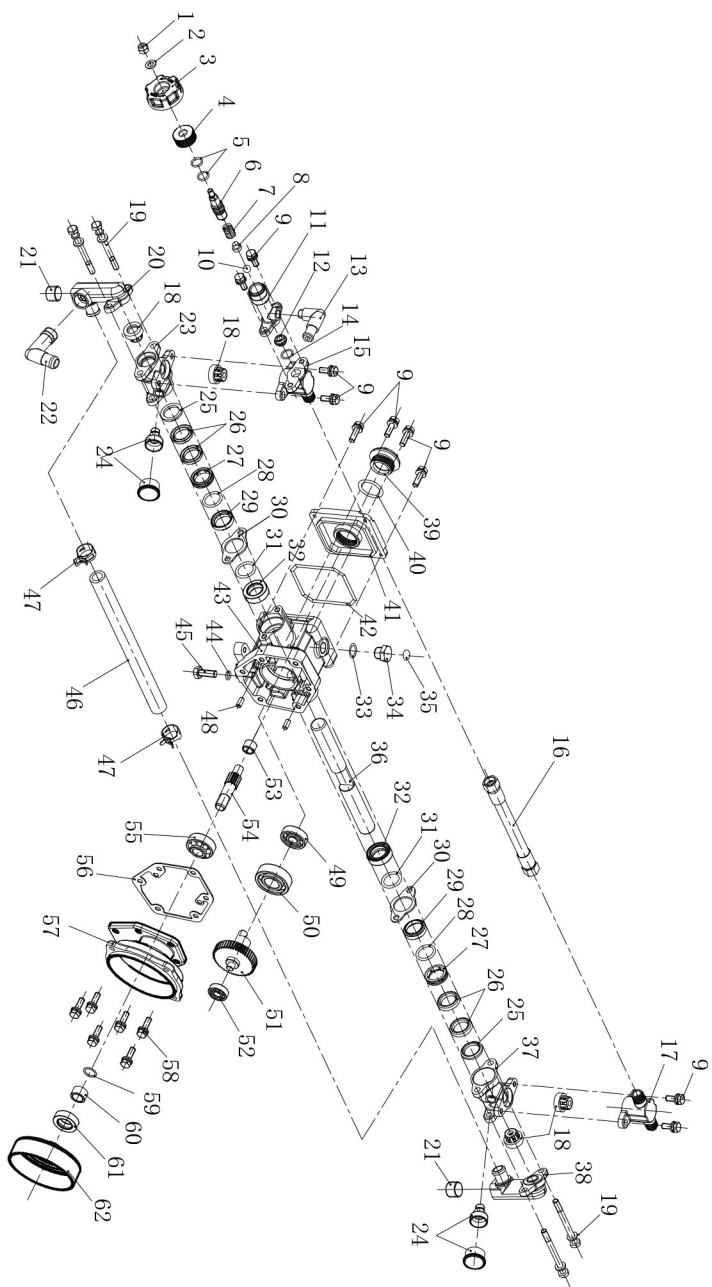
3. The gasoline engine can run, but has not enough power

- Maybe the core of the air filter is blocked by dust
- Maybe the cylinder exhaust and the muffler are blocked by accumulated carbon
- The piston, the piston rings and cylinder have been badly worn out
- Maybe the gasoline filter is blocked by dust
- The body or the top of the shaft has oil leakage and air leakage

4. The gasoline engine stops suddenly when running

- Run out of the gasoline
- The high voltage wire drops
- The ignition plug has accumulated carbon or has been broken
- The gasoline filter is blocked by dust
- Maybe there is water in the gasoline
- The air hole of the tank lid is blocked by dust

PUMP DIAGRAM OF AMP-139F-4S/AM-K139-4S POWER SPRAYER

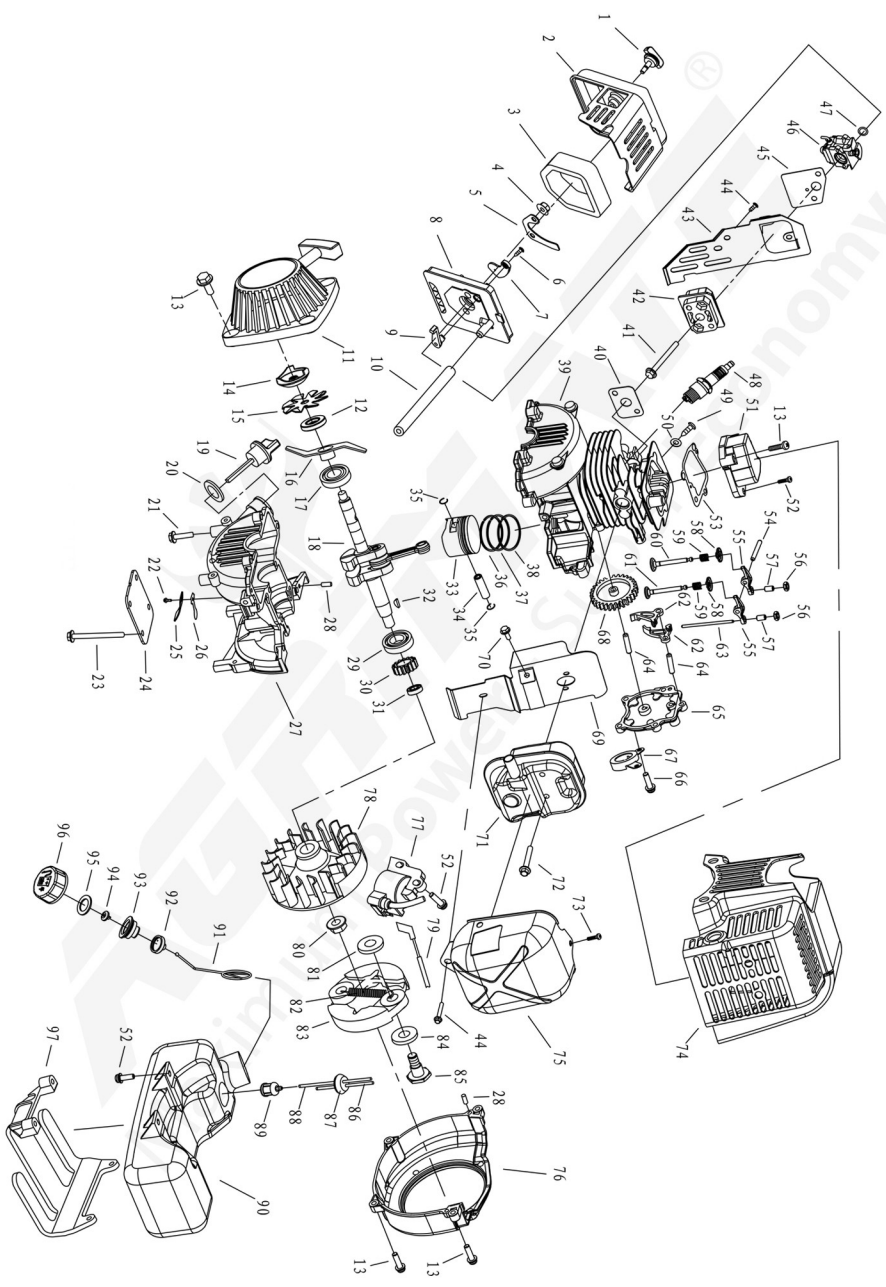


PUMP PART LIST OF AMP-139F-4S/AM-K139-4S POWER SPRAYER

Sl.No.	Part No.	Description
1	AM-768-PRO-01	NUT
2	AM-768-PRO-02	WASHER
3	AM-768-PRO-03	PRESSURE ADJUSTING
4	AM-768-PRO-04	NUT
5	AM-768-PRO-05	O-RING
6	AM-768-PRO-06	PRESSURE VALVE SCREW
7	AM-768-PRO-07	SPRING
8	AM-768-PRO-08	VALVE ROD
9	AM-768-PRO-09	BOLT
10	AM-768-PRO-10	VALVE BALL
11	AM-768-PRO-11	PRESSURE VALVE CASE
12	AM-768-PRO-12	VALVE SEAT
13	AM-768-PRO-13	PIPE
14	AM-768-PRO-14	O-RING
15	AM-768-PRO-15	OUTLET CHAMBER
16	AM-768-PRO-16	OUTLET CHAMBER HOSE
17	AM-768-PRO-17	OUTLET CHAMBER DOUBLE HOSE
18	AM-768-PRO-18	VALVE ASSY
19	AM-768-PRO-19	BOLT
20	AM-768-PRO-20	SUCTION PIPE DOUBLE
21	AM-768-PRO-21	NUT
22	AM-768-PRO-22	SUTION PIPE
23	AM-768-PRO-23	CYLINDER double
24	AM-768-PRO-24	GREASE CUP
25	AM-768-PRO-25	Parking Seat
26	AM-768-PRO-26	V-Parking
27	AM-768-PRO-27	Grease ring
28	AM-768-PRO-28	Adjusting ring
29	AM-768-PRO-29	Grand
30	AM-768-PRO-30	Fixed Seat
31	AM-768-PRO-31	O-RING

Sl.No.	Part No.	Description
32	AM-768-PRO-32	Oil Seal
33	AM-768-PRO-33	O-RING
34	AM-768-PRO-34	Bolt
35	AM-768-PRO-35	Paster
36	AM-768-PRO-36	Plunger
37	AM-768-PRO-37	Cylinder Single
38	AM-768-PRO-38	Sution single
39	AM-768-PRO-39	Oil Glass
40	AM-768-PRO-40	O-RING
41	AM-768-PRO-41	Cover of crank case
42	AM-768-PRO-42	O-RING
43	AM-768-PRO-43	Grank Case
44	AM-768-PRO-44	O-RING
45	AM-768-PRO-45	Bolt
46	AM-768-PRO-46	Hose
47	AM-768-PRO-47	Clip
48	AM-768-PRO-48	Cylindrical pin
49	AM-768-PRO-49	Bearing
50	AM-768-PRO-50	Bearing
51	AM-768-PRO-51	Gear
52	AM-768-PRO-52	Bearing
53	AM-768-PRO-53	Bearing
54	AM-768-PRO-54	Gear Shaft
55	AM-768-PRO-55	Bearing
56	AM-768-PRO-56	Gasket
57	AM-768-PRO-57	Drum Case
58	AM-768-PRO-58	Bolt
59	AM-768-PRO-59	O-RING
60	AM-768-PRO-60	Pipe
61	AM-768-PRO-61	Oil Seal
62	AM-768-PRO-62	clutch assy

ENGINE SPARE PARTS DIAGRAM OF AMP-139F-4S/AM-K139-4S POWER SPRAYER



ENGINE PARTS OF AMP-139F-4S/AM-K139-4S POWER SPRAYER

Sl. No.	Part No.	Description
1	AMP-139-E01	Screw
2	AMP-139-E02	Outside cover
3	AMP-139-E03	Filter Net
4	AMP-139-E04	Nut
5	AMP-139-E05	Baffler
6	AMP-139-E06	Screw
7	AMP-139-E07	Choke
8	AMP-139-E08	Inside Cover
9	AMP-139-E09	Choke handle
10	AMP-139-E10	Windpipe
11	AMP-139-E11	Starter
12	AMP-139-E12	Seal
13	AMP-139-E13	Screw
14	AMP-139-E14	Start Reel
15	AMP-139-E15	Fan
16	AMP-139-E16	Oil plectrum
17	AMP-139-E17	Bearing
18	AMP-139-E18	Crank shaft
19	AMP-139-E19	Dipstick
20	AMP-139-E20	Seal
21	AMP-139-E21	Screw
22	AMP-139-E22	Screw
23	AMP-139-E23	screw
24	AMP-139-E24	Board

ENGINE PARTS OF AMP-139F-4S POWER SPRAYER

Sl. No.	Part No.	Description
25	AMP-139-E25	Board
26	AMP-139-E26	Reed
27	AMP-139-E27	Crank case
28	AMP-139-E28	Pin
29	AMP-139-E29	Bearing
30	AMP-139-E30	Gear
31	AMP-139-E31	Seal
32	AMP-139-E32	Key
33	AMP-139-E33	Piston
34	AMP-139-E34	Piston pin
35	AMP-139-E35	Ring
36	AMP-139-E36	Oil ring
37	AMP-139-E37	Second
38	AMP-139-E38	First piston ring
39	AMP-139-E39	Cylinder
40	AMP-139-E40	Admitting gasket
41	AMP-139-E41	Screw
42	AMP-139-E42	Admitting pipe
43	AMP-139-E43	Board
44	AMP-139-E44	Screw
45	AMP-139-E45	Gasket
46	AMP-139-E46	carbuerator
47	AMP-139-E47	O ring
48	AMP-139-E48	Spark plug

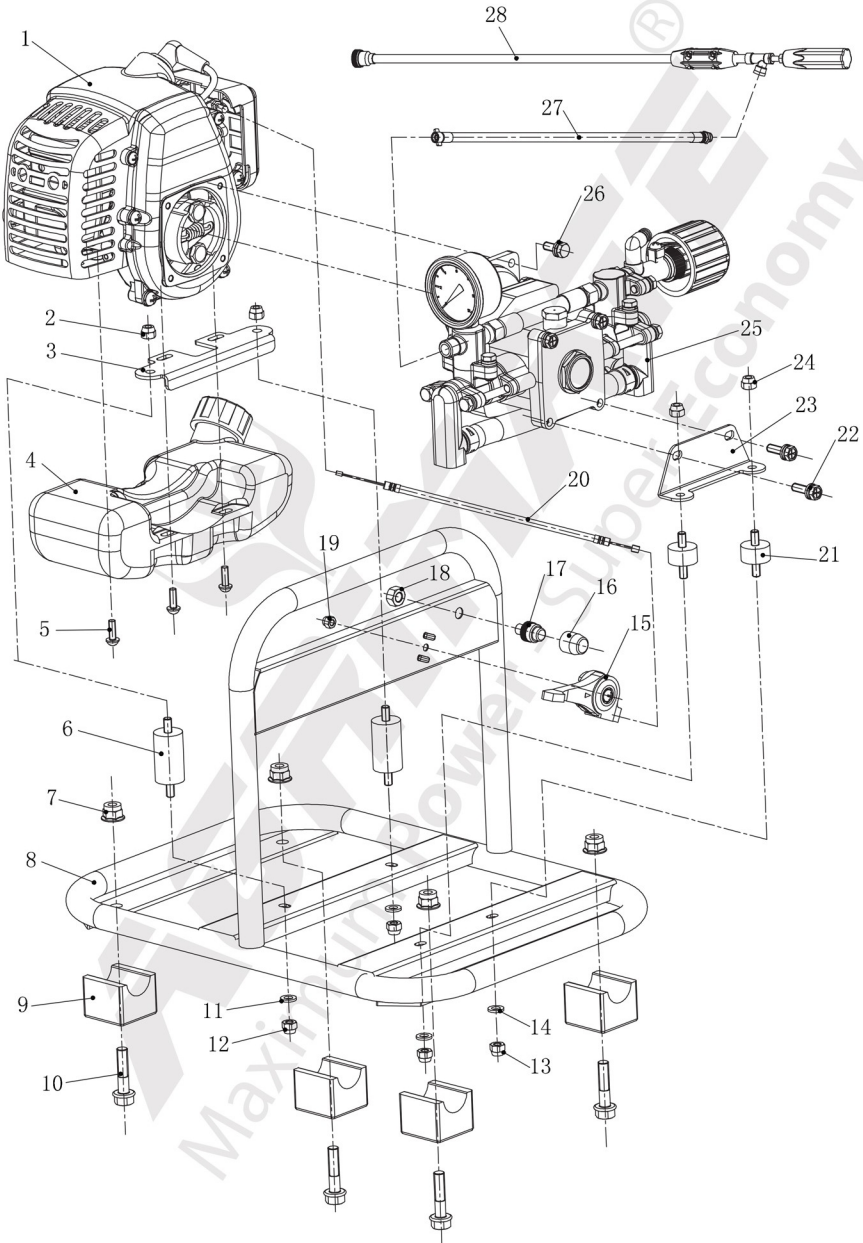
ENGINE PARTS OF AMP-139F-4S/AM-K139-4S POWER SPRAYER

Sl. No.	Part No.	Description
49	AMP-139-E49	Localizer Screw
50	AMP-139-E50	Gasket
51	AMP-139-E51	Cylinder cover
52	AMP-139-E52	Screw
53	AMP-139-E53	cylinder cover Gasket
54	AMP-139-E54	Rocker pin
55	AMP-139-E55	Rocker
56	AMP-139-E56	Adjust nut
57	AMP-139-E57	Jibseat
58	AMP-139-E58	Spring seat
59	AMP-139-E59	Spring
60	AMP-139-E60	Input valve
61	AMP-139-E61	Out put valve
62	AMP-139-E62	Below rocker
63	AMP-139-E63	Jib
64	AMP-139-E64	Pin
65	AMP-139-E65	Cover
66	AMP-139-E66	Screw
67	AMP-139-E67	Board
68	AMP-139-E68	Cam wheel
69	AMP-139-E69	Board
70	AMP-139-E70	Screw
71	AMP-139-E71	Muffle
72	AMP-139-E72	Screw

ENGINE PARTS OF AMP-139F-4S/AM-K139-4S POWER SPRAYER

Sl. No.	Part No.	Description
73	AMP-139-E73	Screw
74	AMP-139-E74	Cylinder cover
75	AMP-139-E75	Muffle cover
76	AMP-139-E76	Fly wheel cover
77	AMP-139-E77	coil
78	AMP-139-E78	Fly wheel
79	AMP-139-E79	Parking
80	AMP-139-E80	Nut
81	AMP-139-E81	Gasket
82	AMP-139-E82	Spring
83	AMP-139-E83	Expander
84	AMP-139-E84	Washer
85	AMP-139-E85	Screw pin
86	AMP-139-E86	Fuel pin
87	AMP-139-E87	Plug
88	AMP-139-E88	Fuel pipe
89	AMP-139-E89	Cleaner
90	AMP-139-E90	Fuel tank
91	AMP-139-E91	Chain
92	AMP-139-E92	End cover
93	AMP-139-E93	Inside cover
94	AMP-139-E94	Inlet
95	AMP-139-E95	Gasket
96	AMP-139-E96	Fuel tank Lid
97	AMP-139-E97	Fuel tank Nog

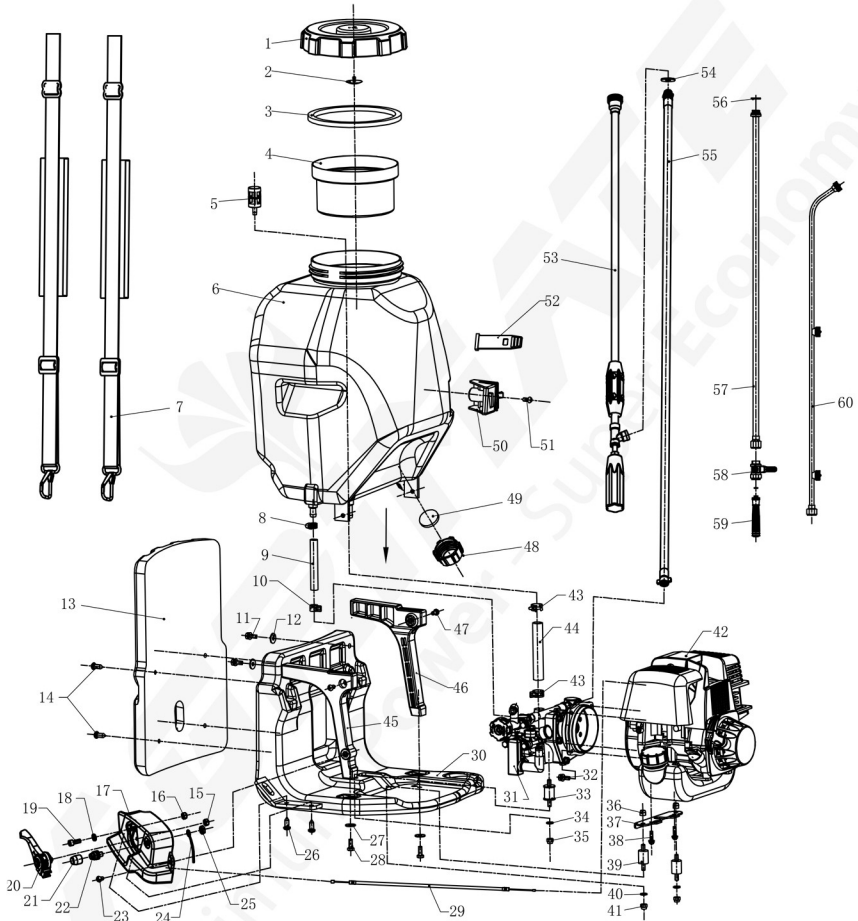
STAND DIAGRAM OF AMP-139F-4S/AM-K139-4S POWER SPRAYER



STAND DIAGRAM OF AMP-139F-4S/AM-K139-4S POWER SPRAYER

Sl. No.	Part No.	Description
1	AMP 768 PRO S01	Engine
2	AMP 768 PRO S02	Nut M6
3	AMP 768 PRO S03	Engine stand
4	AMP 768 PRO S04	Oil tank
5	AMP 768 PRO S05	Screw M5X16
6	AMP 768 PRO S06	Joint
7	AMP 768 PRO S07	Nut
8	AMP 768 PRO S08	Frame
9	AMP 768 PRO S09	Joint
10	AMP 768 PRO S10	Bolt
11	AMP 768 PRO S11	Washer
12	AMP 768 PRO S12	Nut
13	AMP 768 PRO S13	Nut
14	AMP 768 PRO S14	Washer
15	AMP 768 PRO S15	Flex accelera tor
16	AMP 768 PRO S16	Engine stop protector
17	AMP 768 PRO S17	Engine stop switch
18	AMP 768 PRO S18	Nut
19	AMP 768 PRO S19	Nut
20	AMP 768 PRO S20	Cable
21	AMP 768 PRO S21	Joint (pump)
22	AMP 768 PRO S22	Bolt
23	AMP 768 PRO S23	Pump stand
24	AMP 768 PRO S24	Nut
25	AMP 768 PRO S25	Pump
26	AMP 768 PRO S26	Bolt
27	AMP 768 PRO S27	Outlet hose

TANK DIAGRAM OF AMP-139F-4S/AM-K139-4S POWER SPRAYER



TANK PART LIST OF AMP-139F-4S/AM-K139-4S POWER SPRAYER

Sl.No.	Part No.	Description
1	AM-K425HC-T01	Container cover
2	AM-K425HC-T02	Inlet valve
3	AM-K425HC-T03	Gasket
4	AM-K425HC-T04	Filter
5	AM-K425HC-T05	Outlet filter
6	AM-K425HC-T06	Tank
7	AM-K425HC-T07	Strap
8	AM-K425HC-T08	Clip
9	AM-K425HC-T09	Overflow Pipe
10	AM-K425HC-T10	Clip
11	AM-K425HC-T11	Screw
12	AM-K425HC-T12	Washer
13	AM-K425HC-T13	Pad
14	AM-K425HC-T14	Bolt
15	AM-K425HC-T15	Nut
16	AM-K425HC-T16	Nut
17	AM-K425HC-T17	Switch Box
18	AM-K425HC-T18	Washer
19	AM-K425HC-T19	Bolt
20	AM-K425HC-T20	Flex Accelerator
21	AM-K425HC-T21	Stop Switch cap
22	AM-K425HC-T22	Switch
23	AM-K425HC-T23	Bolt
24	AM-K425HC-T24	Bolt
25	AM-K425HC-T25	Line
26	AM-K425HC-T26	Nut
27	AM-K425HC-T27	Washer
28	AM-K425HC-T28	Bolt
29	AM-K425HC-T29	Cable comp
30	AM-K425HC-T30	Frame
31	AM-K425HC-T31	Pump

Sl.No.	Part No.	Description
32	AM-K425HC-T32	Screw
33	AM-K425HC-T33	Joint
34	AM-K425HC-T34	Washer
35	AM-K425HC-T35	Nut
36	AM-K425HC-T36	Nut
37	AM-K425HC-T37	Engine Chair
38	AM-K425HC-T38	Screw
39	AM-K425HC-T39	Joint
40	AM-K425HC-T40	Washer
41	AM-K425HC-T41	Nut
42	AM-K425HC-T42	Engine
43	AM-K425HC-T43	Clip
44	AM-K425HC-T44	Suction pipe
45	AM-K425HC-T45	Stander-L
46	AM-K425HC-T46	Stander-R
47	AM-K425HC-T47	Bolt
48	AM-K425HC-T48	Drain cap
49	AM-K425HC-T49	Gasket
50	AM-K425HC-T50	Gun holder
51	AM-K425HC-T51	Bolt
52	AM-K425HC-T52	Bandage
53	AM-K425HC-T53	3ft Spraying Gun
54	AM-K425HC-T54	Washer
55	AM-K425HC-T55	Spraying hose
56	AM-K425HC-T56	Washer
57	AM-K425HC-T57	Spraying Rod
58	AM-K425HC-T58	Ball cock
59	AM-K425HC-T59	Handle
60	AM-K425HC-T60	3Nozzel lance

INSPECTION & MAINTENANCE

For safety use, make sure the machine is cleaned every three-months. Before working, make sure to inspect the filter and the nozzle, and ensure there is no impurity. After working, make sure there is no water in the pump and the hose.

If the machine needs to be repaired in the guarantee period, please return the machine to the shop. You need to provide the certificate of purchase in order to repair or get the substitute.

Before Packing, the machine should be cleaned, then use closed packaging, packaging should be firm. Store the machine in dry place.

For transportation safety. The machine should comply with ISTA.



Meaning of crossed - out wheeled dustbin:

Do not dispose of electrical machines as unsorted municipal waste, use separate collection facilities.

If electrical machines are disposed of in landfills or dumps, hazardous substances can leak into the groundwater and get into the food chain, damaging your health and well-being.

When replacing old machines with new ones, the retailer is legally obligated to take back your old machine for disposals at least free of charge.

Warranty Card

CUSTOMER COPY



Purchaser's Name & Address

Date of Delivery

Product Name

AMP-139F-4S/AM-K139-4S Power Sprayer

Dealer's Office Seal

Product Serial No.

Dealer Sign _____

Invoice / DN No.

Customer Sign. _____

I/We accept the terms and conditions of Warranty as in the Warranty Card.

Warranty Card

DEALER'S COPY



Purchaser's Name & Address

Date of Delivery

Product Name

AMP-139F-4S/AM-K139-4S Power Sprayer

Dealer's Office Seal

Product Serial No.

Dealer Sign _____

Invoice / DN No.

Customer Sign. _____

I/We accept the terms and conditions of Warranty as in the Warranty Card.

Warranty Card

COMPANY COPY



Purchaser's Name & Address

Date of Delivery

Product Name

AMP-139F-4S/AM-K139-4S Power Sprayer

Dealer's Office Seal

Product Serial No.

Dealer Sign _____

Invoice / DN No.

Customer Sign. _____

I/We accept the terms and conditions of Warranty as in the Warranty Card.

1. **LIMITED WARRANTY PERIOD** : For a period of six months from the date of Sale / delivery of the product which ever is earlier. 2. **LIMITED WARRANTY OBLIGATION** : Replacement of defective part(s) by authorized dealer are free of charges. If found defective by reasons of defective material / poor workmanship, parts will be replaced and there will be no value re-imbursalment. 3. **TERMS & CONDITIONS** : a. Claims under warranty will be accepted on submission of Warranty Card duly filled and stamped by authorized dealer together with the original purchase document. : b. Shipping / transportation / Incidental charges incurred in replacing defective parts under warranty shall be borne by the purchaser.

WARRANTY null & void if

- (i) Lack of maintenance, (ii) Incorrect use of the machine or tampering, (iii) Use of non-genuine spare parts, (iv) Usage of acids, solvents, or any flammable materials, (v) Non-usage of filter water / clear water / soft water & using water above 40°C temperature, (vi) While using the pressure washers to draw water which is contaminated with dust & solvents (eg. paint thinners, gasoline, oil, etc.), (vii) Repair done by unauthorized service people, (viii) Those parts subject to wear & tear due to normal operations and plastic parts, rubber items etc, (ix) Loose connections, faulty electrical fixtures & fluctuations in power supply.
4. Should any failure occur during or after the warranty period, customer does not have the right to interrupt payment / price discount.
5. Incidental or consequential damages like inconvenience commercial loss, loss of tie, mental agony etc.
6. Loss of any nature due to operation or non-operation is not covered under warranty.
7. All free service are at Dealer's service point only.
8. Warranty ceases if service is not done periodically.
9. The attached card should be completed and returned to Ratnagiri Impex Pvt. Ltd. for registration immediately after sale / delivery.
10. The warranty is void unless you register the warranty card with Ratnagiri Impex Pvt. Ltd.
11. The decision of Ratnagiri Impex Pvt. Ltd., in settling the warranty is final in all respects.
12. All disputes are subject to Bangalore Courts Jurisdiction

1. **LIMITED WARRANTY PERIOD** : For a period of six months from the date of Sale / delivery of the product which ever is earlier. 2. **LIMITED WARRANTY OBLIGATION** : Replacement of defective part(s) by authorized dealer are free of charges. If found defective by reasons of defective material / poor workmanship, parts will be replaced and there will be no value re-imbursalment. 3. **TERMS & CONDITIONS** : a. Claims under warranty will be accepted on submission of Warranty Card duly filled and stamped by authorized dealer together with the original purchase document. : b. Shipping / transportation / Incidental charges incurred in replacing defective parts under warranty shall be borne by the purchaser.

WARRANTY null & void if

- (i) Lack of maintenance, (ii) Incorrect use of the machine or tampering, (iii) Use of non-genuine spare parts, (iv) Usage of acids, solvents, or any flammable materials, (v) Non-usage of filter water / clear water / soft water & using water above 40°C temperature, (vi) While using the pressure washers to draw water which is contaminated with dust & solvents (eg. paint thinners, gasoline, oil, etc.), (vii) Repair done by unauthorized service people, (viii) Those parts subject to wear & tear due to normal operations and plastic parts, rubber items etc, (ix) Loose connections, faulty electrical fixtures & fluctuations in power supply.
4. Should any failure occur during or after the warranty period, customer does not have the right to interrupt payment / price discount.
5. Incidental or consequential damages like inconvenience commercial loss, loss of tie, mental agony etc.
6. Loss of any nature due to operation or non-operation is not covered under warranty.
7. All free service are at Dealer's service point only.
8. Warranty ceases if service is not done periodically.
9. The attached card should be completed and returned to Ratnagiri Impex Pvt. Ltd. for registration immediately after sale / delivery.
10. The warranty is void unless you register the warranty card with Ratnagiri Impex Pvt. Ltd.
11. The decision of Ratnagiri Impex Pvt. Ltd., in settling the warranty is final in all respects.
12. All disputes are subject to Bangalore Courts Jurisdiction

1. **LIMITED WARRANTY PERIOD** : For a period of six months from the date of Sale / delivery of the product which ever is earlier. 2. **LIMITED WARRANTY OBLIGATION** : Replacement of defective part(s) by authorized dealer are free of charges. If found defective by reasons of defective material / poor workmanship, parts will be replaced and there will be no value re-imbursalment. 3. **TERMS & CONDITIONS** : a. Claims under warranty will be accepted on submission of Warranty Card duly filled and stamped by authorized dealer together with the original purchase document. : b. Shipping / transportation / Incidental charges incurred in replacing defective parts under warranty shall be borne by the purchaser.

WARRANTY null & void if

- (i) Lack of maintenance, (ii) Incorrect use of the machine or tampering, (iii) Use of non-genuine spare parts, (iv) Usage of acids, solvents, or any flammable materials, (v) Non-usage of filter water / clear water / soft water & using water above 40°C temperature, (vi) While using the pressure washers to draw water which is contaminated with dust & solvents (eg. paint thinners, gasoline, oil, etc.), (vii) Repair done by unauthorized service people, (viii) Those parts subject to wear & tear due to normal operations and plastic parts, rubber items etc, (ix) Loose connections, faulty electrical fixtures & fluctuations in power supply.
4. Should any failure occur during or after the warranty period, customer does not have the right to interrupt payment / price discount.
5. Incidental or consequential damages like inconvenience commercial loss, loss of tie, mental agony etc.
6. Loss of any nature due to operation or non-operation is not covered under warranty.
7. All free service are at Dealer's service point only.
8. Warranty ceases if service is not done periodically.
9. The attached card should be completed and returned to Ratnagiri Impex Pvt. Ltd. for registration immediately after sale / delivery.
10. The warranty is void unless you register the warranty card with Ratnagiri Impex Pvt. Ltd.
11. The decision of Ratnagiri Impex Pvt. Ltd., in settling the warranty is final in all respects.
12. All disputes are subject to Bangalore Courts Jurisdiction



ratnagiri impex
MAXIMUM POWER - SUPER ECONOMY

1st Free Service Coupon

ISO 9001-2015
CERTIFIED COMPANY

FREE SERVICE COUPON (30 Days / 30 hrs (Which ever is earlier))

Model
AMP-139F-4S/AM-K139-4S Power Sprayer

Serial Number

PDI Date

Purchase bill no.

Date

Service No.

- Operations:
- Check and Test the Fuel Mixture.
 - Check and Clean the Air Filter
 - Check, Clean and Adjust the Spark plug
 - Check and Adjust the Carburetor Tuning
 - Check and Sharpen the cutting Tools
 - Start and Check the Noise, Vibration, Loosen / Fasteners etc.
 - Product familiarization on Usage
 - Routine maintenance and Storage

Dealer's Office Seal

Dealer Signature.....

Customer Signature.....

Conditions: Operations listed have been performed to my entire satisfaction without any labour charges. Only consumables were charged.



agriculture | horticulture | sericulture | plantations | forestry | garden | health care

WARRANTY AND FREE SERVICE COUPON



ratnagiri impex
MAXIMUM POWER - SUPER ECONOMY

2nd Free Service Coupon

ISO 9001-2015
CERTIFIED COMPANY

FREE SERVICE COUPON (60 Days / 60 hrs (Which ever is earlier))

Model
AMP-139F-4S/AM-K139-4S Power Sprayer

Serial Number

PDI Date

Purchase bill no.

Date

Service No.

- Operations:
- Check and Test the Fuel Mixture.
 - Check and Clean the Air Filter
 - Check, Clean and Adjust the Spark plug
 - Check and Adjust the Carburetor Tuning
 - Check and Sharpen the cutting Tools
 - Start and Check the Noise, Vibration, Loosen / Fasteners etc.
 - Product familiarization on Usage
 - Routine maintenance and Storage

Dealer's Office Seal

Dealer Signature.....

Customer Signature.....

Conditions: Operations listed have been performed to my entire satisfaction without any labour charges. Only consumables were charged.



agriculture | horticulture | sericulture | plantations | forestry | garden | health care

WARRANTY AND FREE SERVICE COUPON



ratnagiri impex
MAXIMUM POWER - SUPER ECONOMY

3rd Free Service Coupon

ISO 9001-2015
CERTIFIED COMPANY

FREE SERVICE COUPON (90 Days /120hrs (Which ever is earlier))

Model
AMP-139F-4S/AM-K139-4S Power Sprayer

Serial Number

PDI Date

Purchase bill no.

Date

Service No.

- Operations:
- Check and Test the Fuel Mixture.
 - Check and Clean the Air Filter
 - Check, Clean and Adjust the Spark plug
 - Check and Adjust the Carburetor Tuning
 - Check and Sharpen the cutting Tools
 - Start and Check the Noise, Vibration, Loosen / Fasteners etc.
 - Product familiarization on Usage
 - Routine maintenance and Storage

Dealer's Office Seal

Dealer Signature.....

Customer Signature.....

Conditions: Operations listed have been performed to my entire satisfaction without any labour charges. Only consumables were charged.



agriculture | horticulture | sericulture | plantations | forestry | garden | health care

WARRANTY AND FREE SERVICE COUPON

AGRIMART[®]

FARM EQUIPMENT GREEN CARE SERVICES



Do's & Don'ts

- Always read the instruction manual supplied along with the equipments and understand the correct installation and operating procedures before attempting to use the equipments.
- It is important to use the personal protection equipments such as head helmet with visor, ear defenders, goggles, safety gloves, cut resistant shoes, trousers and jackets while operating potentially dangerous machines.
- Avoid untrained persons using the equipments. Children must not be allowed to handle these equipments.
- Always use genuine spares and accessories in repairs and usage to derive maximum life of the equipments.
- Always keep the equipments in good working condition to minimize loss of output as well as to reduce the pollution and save the environment.
- Do not use the machine within range of persons unless they wear protective clothing.
- Do not operate the machine when fatigued or under the influence of alcohol or drugs.
- For more query kindly contact for our Service Center/Dealer/ franchise



Small and Timely Maintenance - Big Savings

MULTIPLY PROFITS

WITH OUR MULTI CROP, MULTI PURPOSE EQUIPMENTS



Maximum Power - Super Economy
RANGE OF PRODUCTS



BATTERY /
MANUAL
SPRAYER



PORTABLE
POWER
SPRAYER



KNAPSACK
POWER
SPRAYER



ROTARY
TILLER



CHAFF
CUTTER



TEA
PRUNER



FOGGER



POWER
WEEDER



CHAINSAW



ROTARY
TILLER



LAWN
MOWER



HIGH
PRESSURE
WASHER



EARTH
AUGER



RIDE ON
MOWER



our power, your passion
RANGE OF PRODUCTS



Advanced Technology

Advanced Technology

RANGE OF PRODUCTS



BRUSH CUTTER
- PUSH TYPE



BRUSH CUTTER -
BACK PACK



BRUSH CUTTER -
MULTI TOOL



POLE PRUNER



BLOWER
BACK PACK



LAWN MOWER



BRUSH
CUTTER



BACK PACK
BC



TILLER



FOGGER



EARTH
AUGER



Green Panther®

RANGE OF PRODUCTS

OUR RETAIL FORMATS



FARM EQUIPMENT | GREEN CARE | SERVICES



FARM EQUIPMENT | GREEN CARE | SERVICES



FARM EQUIPMENT | GREEN CARE | SERVICES

IMPORTERS & MARKETING BY:

Ratnagiri Impex Pvt. Ltd.

Annapurna House, # 1/1G,

7th Cross New Guddadahalli,

Mysore Road Bangalore - 560 026, India

Ph: 080-26985100/1/2

Email: info@ratnagiriimpex.com



TOLL FREE :
1800-425-3036

www.ratnagiriimpex.com

www.agrimart.in



ratnagiri impex
BRINGING YOU THE FUTURE... NOW

An ISO 9001:2015 Certified Company

agriculture | horticulture | sericulture | plantations | forestry | garden | health care