

# INTERCULTIVATOR/POWER WEEDER

## AM-RTP-5PH-CHAMPION-NEW



## INTRODUCTION

Dear Sir/ Madam,

Thank you for choosing Agrimate product. You are the proud owner of high technology & durable machine. Trust that our Franchisee/Dealer installed the product & installed the product and explained you about the usage & service instructions. Please visit our autorised dealer for your future requirement of our other equipments, genuine spares, accessories and services. Service coupons are attached with this manual and you can avail free service to keep your machine fit always to use on demand.

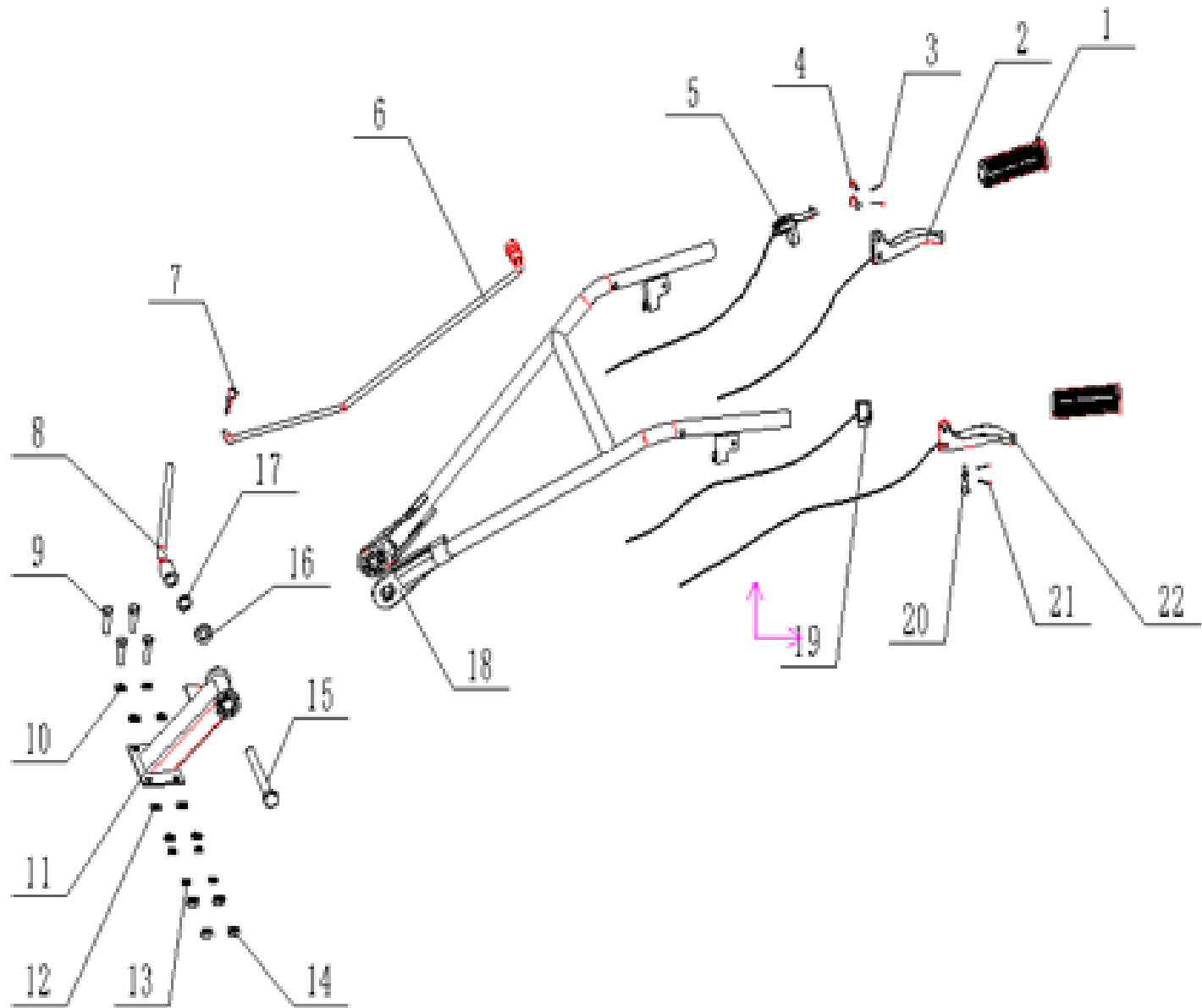
About Ratnagiri,

We import and market of high quality of agriculture wide range of equipments which we are selling through our authorised franchisee or dealer network. We are in this field from past years service the farmer. community. For further details, Please visit our website [www.agrimart.in](http://www.agrimart.in). & Give a missed call to 7393 938 938.

## TECHNICAL SPECIFICATIONS

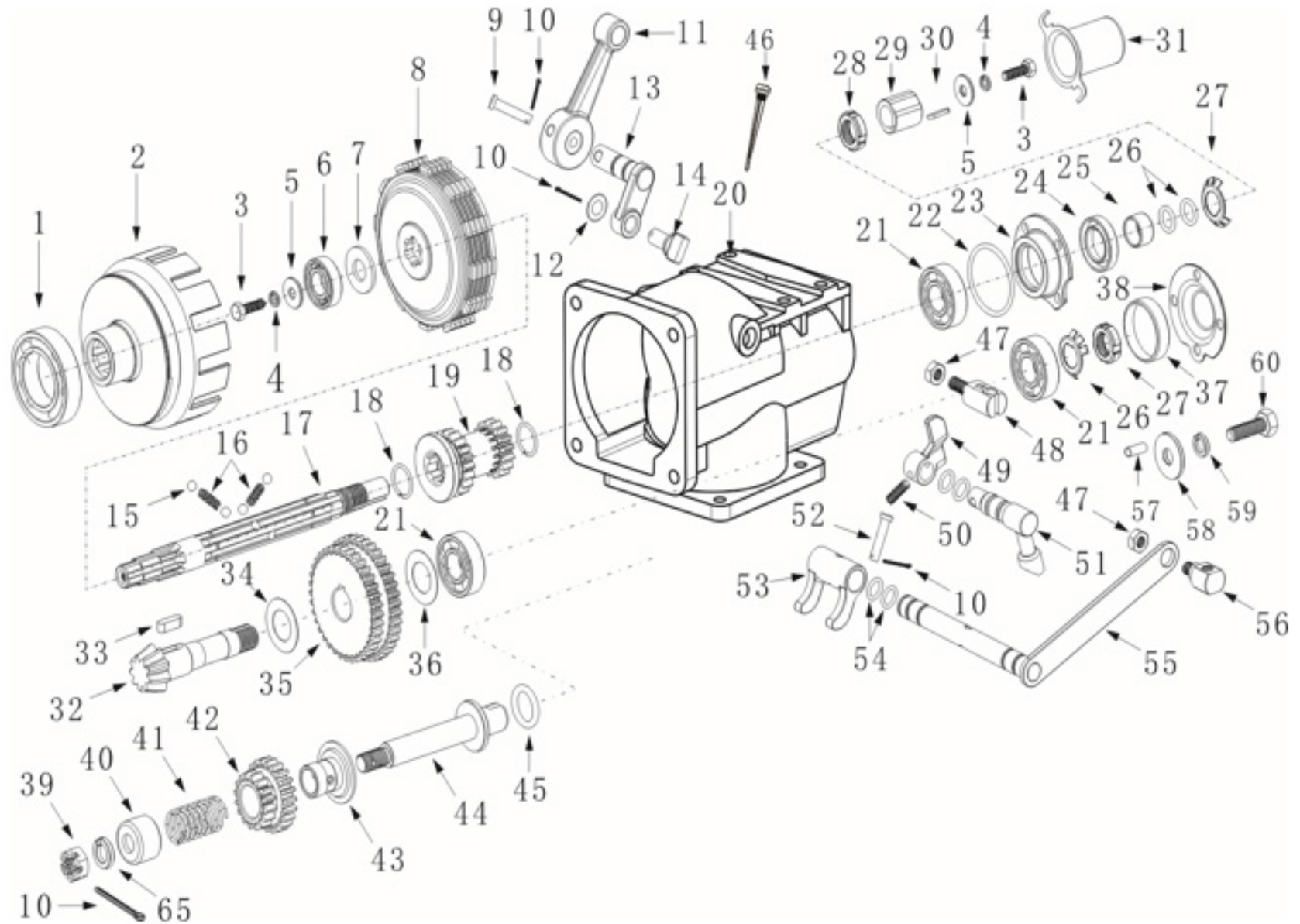
MODEL	AM-RTP-5PH-CHAMPION NEW
DISPLACEMENT	212CC
POWER	7HP
SPEED	2FORWARD, 1 REVERSE
FULE TANK CAPACITY	3.6Ltr
NO. OF BLADES	24BLADES, SIDE DISC
TILLING WIDTH	600 - 1000MM
TILLING DEPTH	150MM
NET WEIGHT (APPROX)	65KG

# Handle Assy - A



SL NO	PART NO	DESCRIPTION	SL NO	PART NO	DESCRIPTION
1	AM-RTP-5PH-MP-TA01	Handle Grips	14	AM-RTP-5PH-MP-TA14	Spring Washer
2	AM-RTP-5PH-MP-TA02	Reverse Handle	15	AM-RTP-5PH-MP-TA15	Nut
3	AM-RTP-5PH-MP-TA03	Reverse Cable	16	AM-RTP-5PH-MP-TA16	Bolt
4	AM-RTP-5PH-MP-TA04	Split Pin	17	AM-RTP-5PH-MP-TA17	Spring Washer
5	AM-RTP-5PH-MP-TA05	B Pin	18	AM-RTP-5PH-MP-TA18	Flat Washer
6	AM-RTP-5PH-MP-TA06	Fuel Swith Assy	19	AM-RTP-5PH-MP-TA19	Handle Bar
7	AM-RTP-5PH-MP-TA07	Gear Shifting Level	20	AM-RTP-5PH-MP-TA20	Emergency Stop Assy
8	AM-RTP-5PH-MP-TA08	R Pin	21	AM-RTP-5PH-MP-TA21	Pin
9	AM-RTP-5PH-MP-TA09	Locking Handle	22	AM-RTP-5PH-MP-TA22	Split Pin
10	AM-RTP-5PH-MP-TA10	Bolt	23	AM-RTP-5PH-MP-TA23	Clutch Handle
11	AM-RTP-5PH-MP-TA11	Flat Washer	24	AM-RTP-5PH-MP-TA24	Clutch Cable
12	AM-RTP-5PH-MP-TA12	Handle Seat			
13	AM-RTP-5PH-MP-TA13	Flat Washer			

# SHIFT GEAR PARTS - B

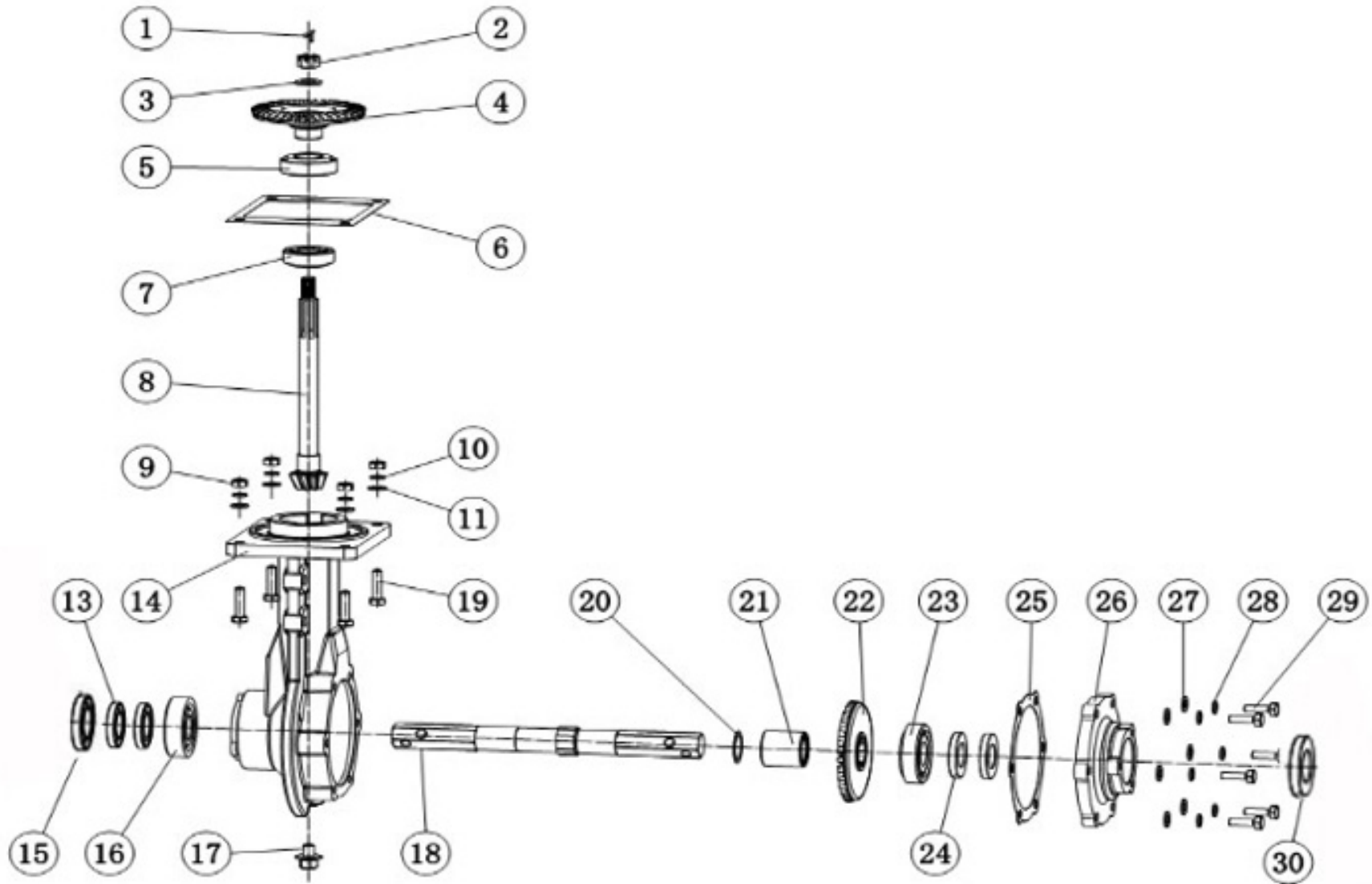


SL NO	PART NO	DESCRIPTION	SL NO	PART NO	DESCRIPTION
1	AM-RTP-5PH-MP-TB01	Bearing	17	AM-RTP-5PH-MP-TB17	Principal axes
2	AM-RTP-5PH-MP-TB02	Clutch Cover	18	AM-RTP-5PH-MP-TB18	circlip
3	AM-RTP-5PH-MP-TB03	bolt	19	AM-RTP-5PH-MP-TB19	Iniative gear
4	AM-RTP-5PH-MP-TB04	washer	20	AM-RTP-5PH-MP-TB20	Shift Gear box
5	AM-RTP-5PH-MP-TB05	washer	21	AM-RTP-5PH-MP-TB21	bearing
6	AM-RTP-5PH-MP-TB06	bearing	22	AM-RTP-5PH-MP-TB22	O oil seal
7	AM-RTP-5PH-MP-TB07	Clutch washer	23	AM-RTP-5PH-MP-TB23	main shaft cover
8	AM-RTP-5PH-MP-TB08	clutch Core comp	24	AM-RTP-5PH-MP-TB24	oil seal
9	AM-RTP-5PH-MP-TB09	Shift Rod pin	25	AM-RTP-5PH-MP-TB25	main shaft bush
10	AM-RTP-5PH-MP-TB10	Clip	26	AM-RTP-5PH-MP-TB26	O oil seal
11	AM-RTP-5PH-MP-TB11	Sheath,Shift Rod	27	AM-RTP-5PH-MP-TB27	washer
12	AM-RTP-5PH-MP-TB12	O oil seal	28	AM-RTP-5PH-MP-TB28	nut
13	AM-RTP-5PH-MP-TB13	Shift Axes	29	AM-RTP-5PH-MP-TB29	main shaft Key housing
14	AM-RTP-5PH-MP-TB14	Shift fork	30	AM-RTP-5PH-MP-TB30	key
15	AM-RTP-5PH-MP-TB15	Steel ball	31	AM-RTP-5PH-MP-TB31	main shaft protect cover
16	AM-RTP-5PH-MP-TB16	Spring ,principal axes	32	AM-RTP-5PH-MP-TB32	Countershaft

SL NO	PART NO	DESCRIPTION	SL NO	PART NO	DESCRIPTION
33	AM-RTP-5PH-MP-TB33	key	49	AM-RTP-5PH-MP-TB49	Rever gear fork
34	AM-RTP-5PH-MP-TB34	ajustable washer	50	AM-RTP-5PH-MP-TB50	bolt
35	AM-RTP-5PH-MP-TB35	Double gear,countershaft	51	AM-RTP-5PH-MP-TB51	Axes,rever gear fork
36	AM-RTP-5PH-MP-TB36	adjustable washer	52	AM-RTP-5PH-MP-TB52	Cluth fork pin
37	AM-RTP-5PH-MP-TB37	paper pad	53	AM-RTP-5PH-MP-TB53	Cluth fork
38	AM-RTP-5PH-MP-TB38	end cover	54	AM-RTP-5PH-MP-TB54	O oil seal
39	AM-RTP-5PH-MP-TB39	Nut	55	AM-RTP-5PH-MP-TB55	Axes,cluth fork
40	AM-RTP-5PH-MP-TB40	Restrict cover,reverse gear	56	AM-RTP-5PH-MP-TB56	Seat,cluth cable
41	AM-RTP-5PH-MP-TB41	Spring seat,reverse gear	57	AM-RTP-5PH-MP-TB57	Pin
42	AM-RTP-5PH-MP-TB42	Double gear,reverse gear	58	AM-RTP-5PH-MP-TB58	flat Washer
43	AM-RTP-5PH-MP-TB43	Pushing plate,reverse gear	59	AM-RTP-5PH-MP-TB59	Spring Washer
44	AM-RTP-5PH-MP-TB44	Axes,reverse gear	60	AM-RTP-5PH-MP-TB60	bolt
45	AM-RTP-5PH-MP-TB45	O-ring			
46	AM-RTP-5PH-MP-TB46	Oil stick			
47	AM-RTP-5PH-MP-TB47	Nut			
48	AM-RTP-5PH-MP-TB48	Seat,reverse gear cable			

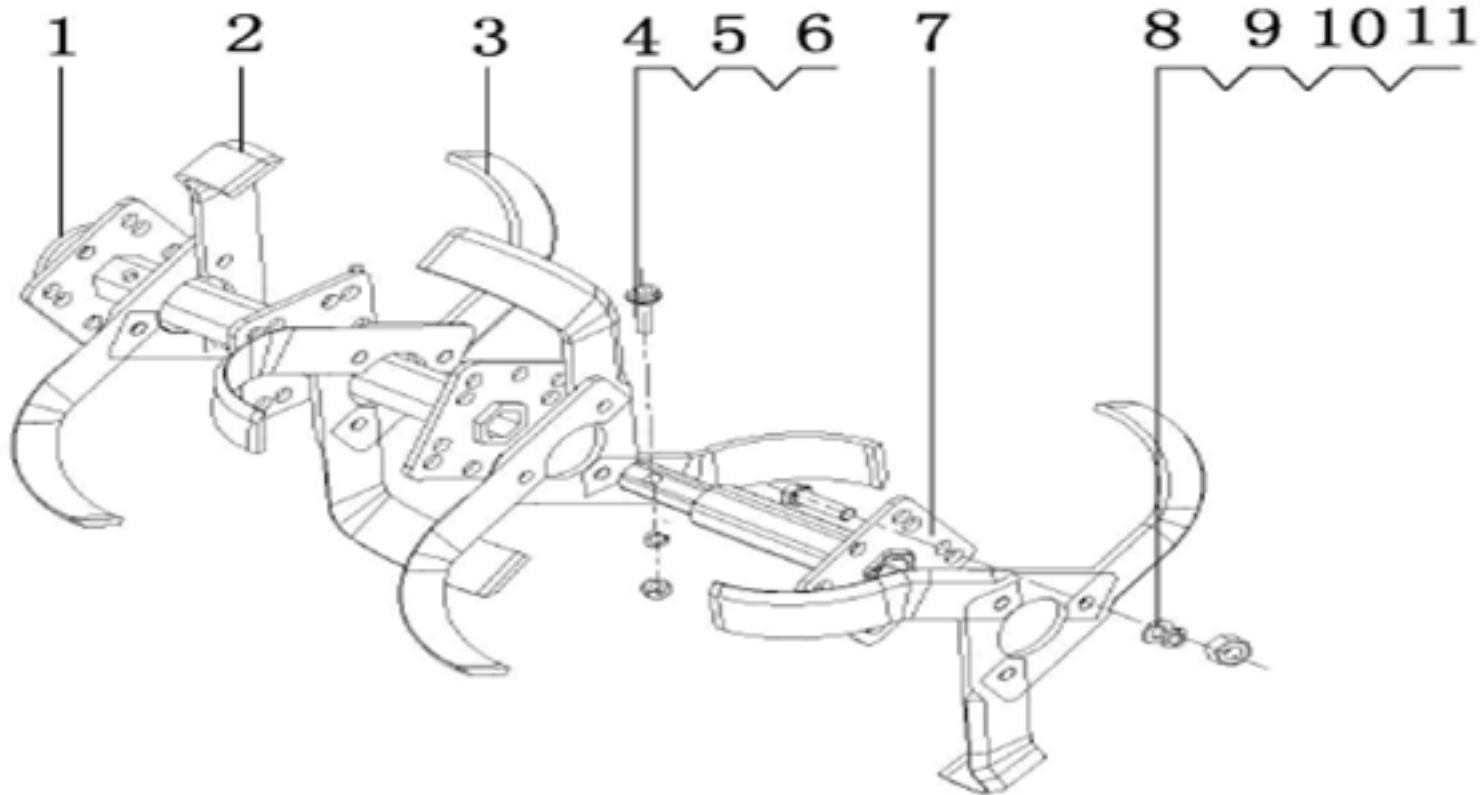


# TRANSIMMISSION CASE PARTS - C

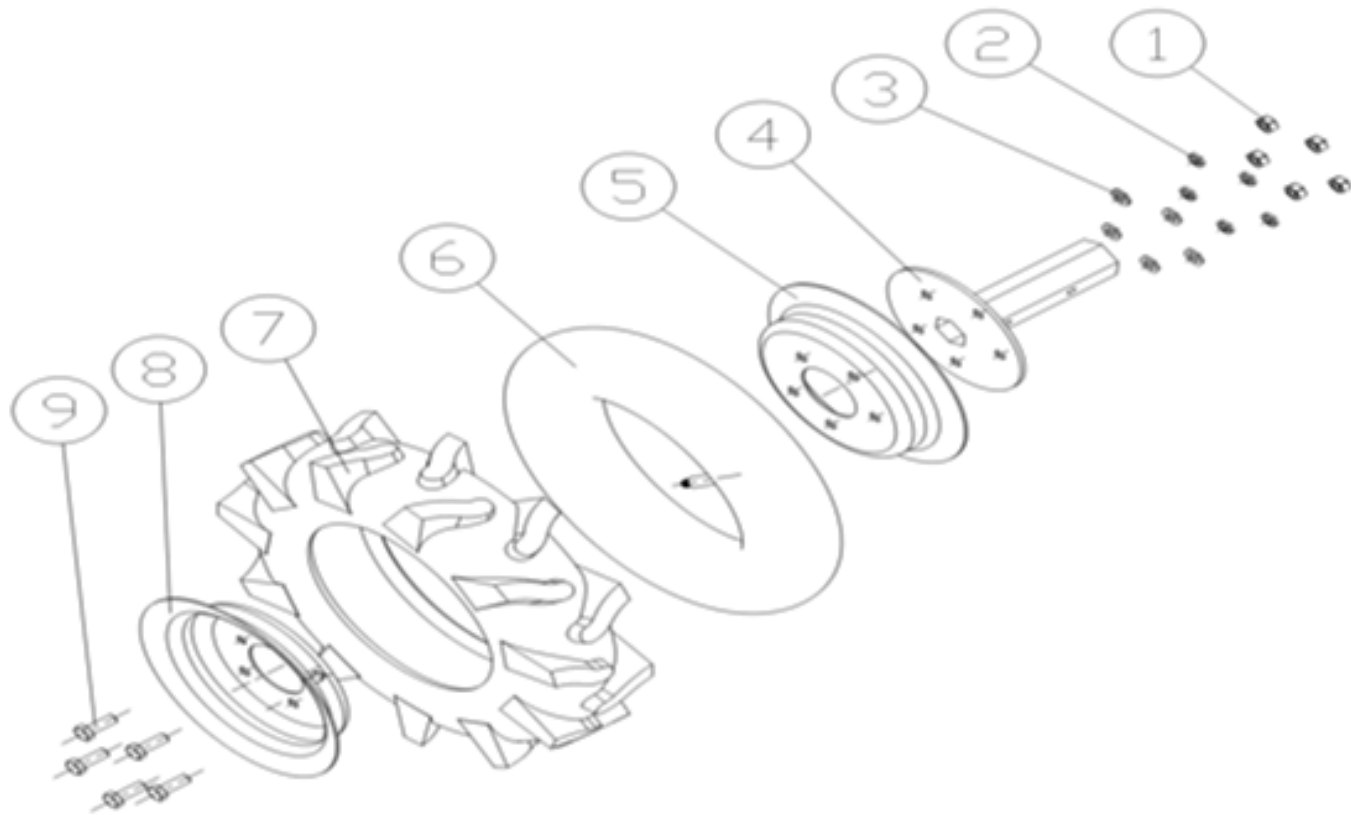


SL NO	PART NO	DESCRIPTION	SL NO	PART NO	DESCRIPTION
1	AM-RTP-5PH-MP-TC01	Splitpin	17	AM-RTP-5PH-MP-TC17	Flange output axes
2	AM-RTP-5PH-MP-TC02	Nut	18	AM-RTP-5PH-MP-TC18	Bolt
3	AM-RTP-5PH-MP-TC03	Spring Washer	19	AM-RTP-5PH-MP-TC19	Washer
4	AM-RTP-5PH-MP-TC04	Driven umbrella gear	20	AM-RTP-5PH-MP-TC20	Cover,output axes
5	AM-RTP-5PH-MP-TC05	Taper ball bearing	21	AM-RTP-5PH-MP-TC21	Walking umbrella gear
6	AM-RTP-5PH-MP-TC06	paper pad	22	AM-RTP-5PH-MP-TC22	Taper ball bearing
7	AM-RTP-5PH-MP-TC07	Taper ball bearing	23	AM-RTP-5PH-MP-TC23	Oil Seal
8	AM-RTP-5PH-MP-TC08	Umbrella gear axes	24	AM-RTP-5PH-MP-TC24	Side cover gasket
9	AM-RTP-5PH-MP-TC09	Nut	25	AM-RTP-5PH-MP-TC25	Side cover
10	AM-RTP-5PH-MP-TC10	Spring Washer	26	AM-RTP-5PH-MP-TC26	Washer
11	AM-RTP-5PH-MP-TC11	Washer	27	AM-RTP-5PH-MP-TC27	Spring Washer
12	AM-RTP-5PH-MP-TC12	Oil Seal	28	AM-RTP-5PH-MP-TC28	Bolt
13	AM-RTP-5PH-MP-TC13	Walking case	29	AM-RTP-5PH-MP-TC29	dust shield
14	AM-RTP-5PH-MP-TC14	dust shield			
15	AM-RTP-5PH-MP-TC15	Bearing			
16	AM-RTP-5PH-MP-TC16	Bolt			

# BLADES ASSY - D

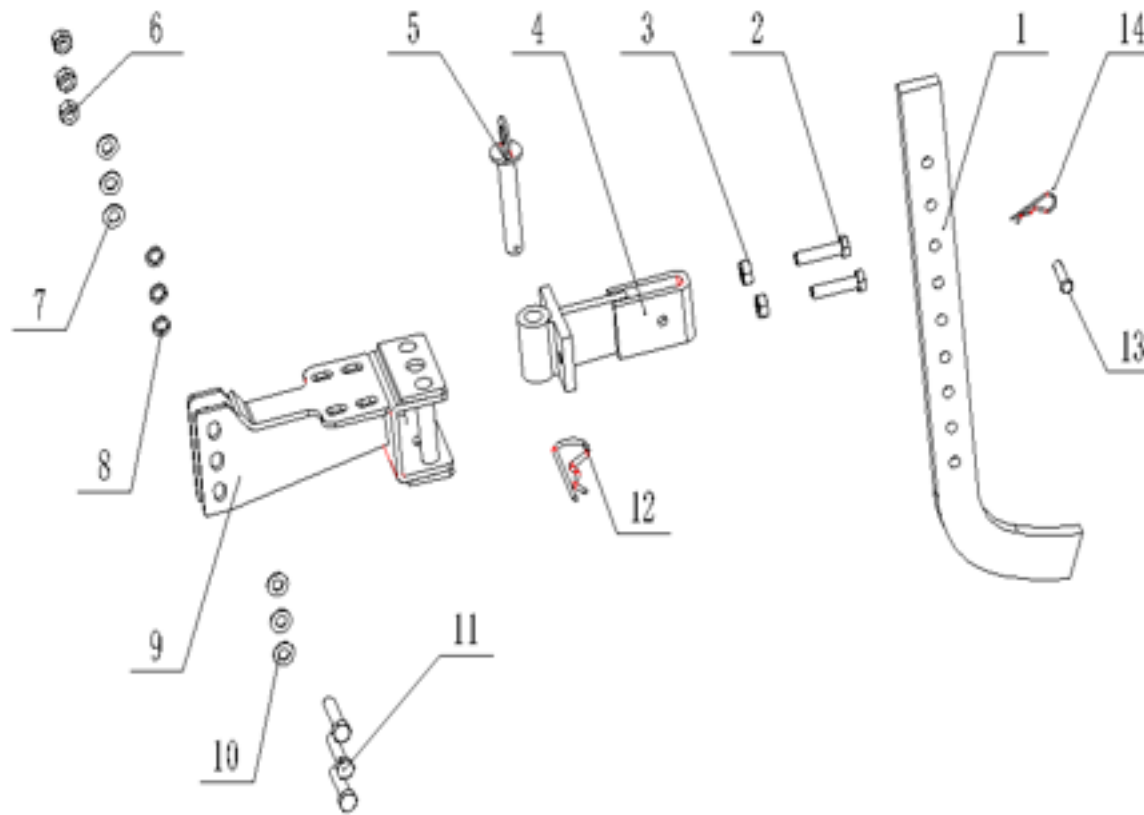


SL NO	PART NO	DESCRIPTION	SL NO	PART NO	DESCRIPTION
1	AM-RTP-5PH-MP-TD01	Main tube	7	AM-RTP-5PH-MP-TD07	Counter tube
2	AM-RTP-5PH-MP-TD02	Blade (R)	8	AM-RTP-5PH-MP-TD08	Bolt
3	AM-RTP-5PH-MP-TD03	Blade (L)	9	AM-RTP-5PH-MP-TD09	Spring Washer
4	AM-RTP-5PH-MP-TD04	Bolt	10	AM-RTP-5PH-MP-TD10	Washer
5	AM-RTP-5PH-MP-TD05	Spring Washer	11	AM-RTP-5PH-MP-TD11	Nut
6	AM-RTP-5PH-MP-TD06	Washer			



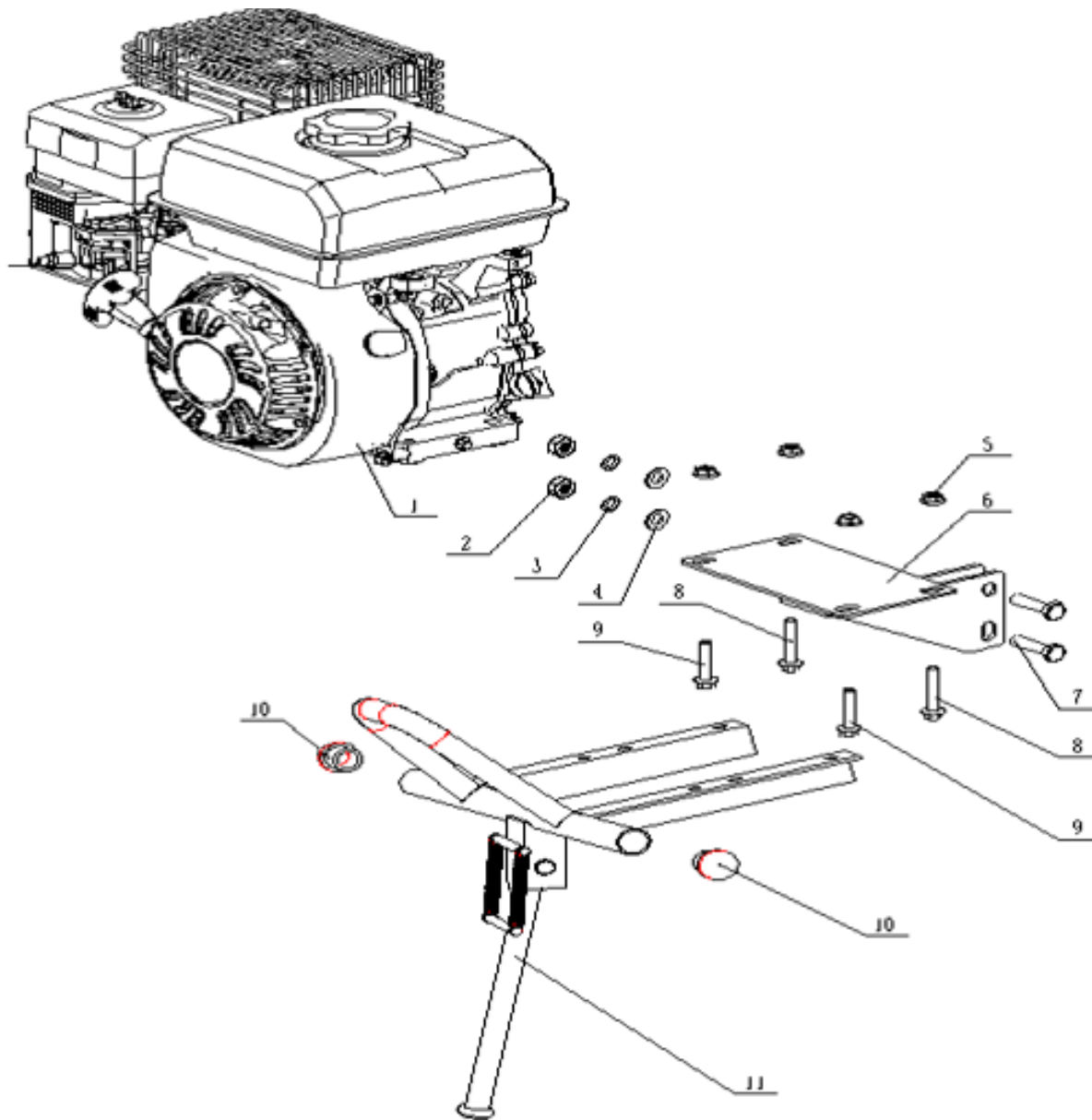
SL NO	PART NO	DESCRIPTION	SL NO	PART NO	DESCRIPTION
1	AM-RTP-5PH-MP-TE01	HEXAGON FLANGE NUTS	7	AM-RTP-5PH-MP-TE07	OUTTER TUBE
2	AM-RTP-5PH-MP-TE02	WASHER SPRING	8	AM-RTP-5PH-MP-TE08	OUTSIDE WHEEL HUB
3	AM-RTP-5PH-MP-TE03	WASHER	9	AM-RTP-5PH-MP-TE09	HEXAGON FLANGE BOLT
4	AM-RTP-5PH-MP-TE04	WHEEL SHAFT	10	AM-RTP-5PH-MP-TE10	HEXAGON FLANGE BOLT
5	AM-RTP-5PH-MP-TE05	INSIDE WHEEL HUB			
6	AM-RTP-5PH-MP-TE06	INNER TUBE			

## Trailer body and connector part - F



SL NO	PART NO	DESCRIPTION	SL NO	PART NO	DESCRIPTION
1	AM-RTP-5PH-MP-TF01	resistance blade	8	AM-RTP-5PH-MP-TF08	flat wahser
2	AM-RTP-5PH-MP-TF02	bolt	9	AM-RTP-5PH-MP-TF09	trailer body
3	AM-RTP-5PH-MP-TF03	nut	10	AM-RTP-5PH-MP-TF10	flat washer
4	AM-RTP-5PH-MP-TF04	connector	11	AM-RTP-5PH-MP-TF11	bolt
5	AM-RTP-5PH-MP-TF05	pin for trailer body	12	AM-RTP-5PH-MP-TF12	R pin
6	AM-RTP-5PH-MP-TF06	nut	13	AM-RTP-5PH-MP-TF13	Pin
7	AM-RTP-5PH-MP-TF07	spring washer	14	AM-RTP-5PH-MP-TF14	R pin






# Engine Assembling part - G



SL NO	PART NO	DESCRIPTION	SL NO	PART NO	DESCRIPTION
1	AM-RTP-5PH-MP-TG01	engine	7	AM-RTP-5PH-MP-TG07	bolt
2	AM-RTP-5PH-MP-TG02	nut	8	AM-RTP-5PH-MP-TG08	bolt
3	AM-RTP-5PH-MP-TG03	spring washer	9	AM-RTP-5PH-MP-TG09	bolt
4	AM-RTP-5PH-MP-TG04	flat washer	10	AM-RTP-5PH-MP-TG10	plastic cover
5	AM-RTP-5PH-MP-TG05	nut	11	AM-RTP-5PH-MP-TG11	front stand
6	AM-RTP-5PH-MP-TG06	engine supportor			






# WARRANTY CARD

## CUSTOMER COPY

DATE _____	DATE OF DELIVERY _____	DEALERS OFFICIAL SEAL	DEALERS SIGN _____
PURCHASERS NAME & ADDRESS _____ _____	 CUSTOMER SIGN		
PRODUCT NAME	PRODUCT SERIAL NO.	INVOICE/DN NO.	
			






I/Will accept the terms and conditions of warranty as in the warranty card

## DEALERS COPY

DATE _____	DATE OF DELIVERY _____	DEALERS OFFICIAL SEAL	DEALERS SIGN _____
PURCHASERS NAME & ADDRESS _____ _____	 CUSTOMER SIGN		
PRODUCT NAME	PRODUCT SERIAL NO.	INVOICE/DN NO.	
			

I/Will accept the terms and conditions of warranty as in the warranty card

## COMPANY COPY

DATE _____	DATE OF DELIVERY _____	DEALERS OFFICIAL SEAL	DEALERS SIGN _____
PURCHASERS NAME & ADDRESS _____ _____	 CUSTOMER SIGN		
PRODUCT NAME	PRODUCT SERIAL NO.	INVOICE/DN NO.	
			

I/Will accept the terms and conditions of warranty as in the warranty card



1. LIMITED WARRANTY PERIOD : For a period of six months from the date of Sale / delivery of the product which ever is earlier. 2. LIMITED WARRANTY OBLIGATION : Replacement of defective part(s) by authorized dealer are free of charges. If found defective by reasons of defective material / poor workmanship, parts will be replaced and there will be no value re-imburement. 3. TERMS & CONDITIONS : a. Claims under warranty will be accepted on submission of Warranty Card duly filled and stamped by authorized dealer together with the original purchase document. : b. Shipping / transportation / Incidental charges incurred in replacing defective parts under warranty shall be borne by the purchaser

WARRANTY null & void if

- (i) Lack of maintenance, (ii) Incorrect use of the machine or tampering, (iii) Use of non-genuine spare parts, (iv) Usage of acids, solvents, or any flammable materials, (v) Non-usage of filter water / clear water / soft water & using water above 40°C temperature, (vi) While using the pressure washers to draw water which is contaminated with dust & solvents (eg. paint thinners, gasoline, oil, etc.), (vii) Repair done by unauthorized service people, (viii) Those parts subject to wear & tear due to normal operations and plastic parts, rubber items etc, (ix) Loose connections, faulty electrical fixtures & fluctuations in power supply.
- 4. Should any failure occur during or after the warranty period, customer does not have the right to interrupt payment / price discount.
- 5. Incidental or consequential damages like inconvenience commercial loss, loss of tie, mental agony etc.
- 6. Loss of any nature due to operation or non-operation is not covered under warranty.
- 7. All free service are at Dealer's service point only.
- 8. Warranty ceases if service is not done periodically.
- 9. The attached card should be completed and returned to Ratnagiri Impex Pvt. Ltd. for registration immediately after sale / delivery.
- 10. The warranty is void unless you register the warranty card with Ratnagiri Impex Pvt. Ltd.
- 11. The decision of Ratnagiri Impex Pvt. Ltd., in settling the warranty is final in all respects.
- 12. All disputes are subject to Bangalore Courts Jurisdiction

1. LIMITED WARRANTY PERIOD : For a period of six months from the date of Sale / delivery of the product which ever is earlier. 2. LIMITED WARRANTY OBLIGATION : Replacement of defective part(s) by authorized dealer are free of charges. If found defective by reasons of defective material / poor workmanship, parts will be replaced and there will be no value re-imburement. 3. TERMS & CONDITIONS : a. Claims under warranty will be accepted on submission of Warranty Card duly filled and stamped by authorized dealer together with the original purchase document. : b. Shipping / transportation / Incidental charges incurred in replacing defective parts under warranty shall be borne by the purchaser.

WARRANTY null & void if

- (i) Lack of maintenance, (ii) Incorrect use of the machine or tampering, (iii) Use of non-genuine spare parts, (iv) Usage of acids, solvents, or any flammable materials, (v) Non-usage of filter water / clear water / soft water & using water above 40°C temperature, (vi) While using the pressure washers to draw water which is contaminated with dust & solvents (eg. paint thinners, gasoline, oil, etc.), (vii) Repair done by unauthorized service people, (viii) Those parts subject to wear & tear due to normal operations and plastic parts, rubber items etc, (ix) Loose connections, faulty electrical fixtures & fluctuations in power supply.
- 4. Should any failure occur during or after the warranty period, customer does not have the right to interrupt payment / price discount.
- 5. Incidental or consequential damages like inconvenience commercial loss, loss of tie, mental agony etc.
- 6. Loss of any nature due to operation or non-operation is not covered under warranty.
- 7. All free service are at Dealer's service point only.
- 8. Warranty ceases if service is not done periodically.
- 9. The attached card should be completed and returned to Ratnagiri Impex Pvt. Ltd. for registration immediately after sale / delivery.
- 10. The warranty is void unless you register the warranty card with Ratnagiri Impex Pvt. Ltd.
- 11. The decision of Ratnagiri Impex Pvt. Ltd., in settling the warranty is final in all respects.
- 12. All disputes are subject to Bangalore Courts Jurisdiction

1. LIMITED WARRANTY PERIOD : For a period of six months from the date of Sale / delivery of the product which ever is earlier. 2. LIMITED WARRANTY OBLIGATION : Replacement of defective part(s) by authorized dealer are free of charges. If found defective by reasons of defective material / poor workmanship, parts will be replaced and there will be no value re-imburement. 3. TERMS & CONDITIONS : a. Claims under warranty will be accepted on submission of Warranty Card duly filled and stamped by authorized dealer together with the original purchase document. : b. Shipping / transportation / Incidental charges incurred in replacing defective parts under warranty shall be borne by the purchaser.

WARRANTY null & void if

- (i) Lack of maintenance, (ii) Incorrect use of the machine or tampering, (iii) Use of non-genuine spare parts, (iv) Usage of acids, solvents, or any flammable materials, (v) Non-usage of filter water / clear water / soft water & using water above 40°C temperature, (vi) While using the pressure washers to draw water which is contaminated with dust & solvents (eg. paint thinners, gasoline, oil, etc.), (vii) Repair done by unauthorized service people, (viii) Those parts subject to wear & tear due to normal operations and plastic parts, rubber items etc, (ix) Loose connections, faulty electrical fixtures & fluctuations in power supply.
- 4. Should any failure occur during or after the warranty period, customer does not have the right to interrupt payment / price discount.
- 5. Incidental or consequential damages like inconvenience commercial loss, loss of tie, mental agony etc.
- 6. Loss of any nature due to operation or non-operation is not covered under warranty.
- 7. All free service are at Dealer's service point only.
- 8. Warranty ceases if service is not done periodically.
- 9. The attached card should be completed and returned to Ratnagiri Impex Pvt. Ltd. for registration immediately after sale / delivery.
- 10. The warranty is void unless you register the warranty card with Ratnagiri Impex Pvt. Ltd.
- 11. The decision of Ratnagiri Impex Pvt. Ltd., in settling the warranty is final in all respects.
- 12. All disputes are subject to Bangalore Courts Jurisdiction



**FREE SERVICE COUPON (30DAYS/30HRS. WHICHEVER IS EARLIER)**

MODEL	<input type="text"/>	SERIAL NUMBER	<input type="text"/>
PDI DATE	SERVICE NO.	PURCHASE BILL NO.	DATE
<input type="text"/>	<input type="text"/>	<input type="text"/>	<input type="text"/>
DEALERS OFFICE SEAL	OPERATIONS		
<input type="text"/>	<ol style="list-style-type: none"> <li>1. Check and test the fuel mixture</li> <li>3. Check , clean and adjust the spark plug</li> <li>5. Check and sparken the cutting tools</li> <li>7. Start and check the noise, vibration, loosen etc..</li> </ol>	<ol style="list-style-type: none"> <li>2. check and clean the air filter</li> <li>4. Check and adjust the carburetor tuning</li> <li>6. Product familirisation on usage</li> <li>8. Routine maintenance and shortage.</li> </ol>	

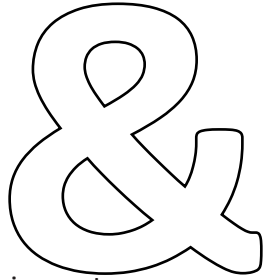
**FREE SERVICE COUPON (30DAYS/30HRS. WHICHEVER IS EARLIER)**

MODEL	<input type="text"/>	SERIAL NUMBER	<input type="text"/>
PDI DATE	SERVICE NO.	PURCHASE BILL NO.	DATE
<input type="text"/>	<input type="text"/>	<input type="text"/>	<input type="text"/>
DEALERS OFFICE SEAL	OPERATIONS		
<input type="text"/>	<ol style="list-style-type: none"> <li>1. Check and test the fuel mixture</li> <li>3. Check , clean and adjust the spark plug</li> <li>5. Check and sparken the cutting tools</li> <li>7. Start and check the noise, vibration, loosen etc..</li> </ol>	<ol style="list-style-type: none"> <li>2. check and clean the air filter</li> <li>4. Check and adjust the carburetor tuning</li> <li>6. Product familirisation on usage</li> <li>8. Routine maintenance and shortage.</li> </ol>	

**FREE SERVICE COUPON (30DAYS/30HRS. WHICHEVER IS EARLIER)**

MODEL	<input type="text"/>	SERIAL NUMBER	<input type="text"/>
PDI DATE	SERVICE NO.	PURCHASE BILL NO.	DATE
<input type="text"/>	<input type="text"/>	<input type="text"/>	<input type="text"/>
DEALERS OFFICE SEAL	OPERATIONS		
<input type="text"/>	<ol style="list-style-type: none"> <li>1. Check and test the fuel mixture</li> <li>3. Check , clean and adjust the spark plug</li> <li>5. Check and sparken the cutting tools</li> <li>7. Start and check the noise, vibration, loosen etc..</li> </ol>	<ol style="list-style-type: none"> <li>2. check and clean the air filter</li> <li>4. Check and adjust the carburetor tuning</li> <li>6. Product familirisation on usage</li> <li>8. Routine maintenance and shortage.</li> </ol>	

# DOS



# DONT'S

attempting to use the equipments.

1. Always read the instruction manual supplied along with the equipments and understand the correct installation and operating procedures before  
  
trousers and jackets while operating potentially dangerous machines
2. It is important to use the personal protection equipments such as head helmet with visor, ear defenders, goggles, safety gloves, cut resistant shoes,
3. Avoid untrained persons using the equipments. Children must not be allowed to handle these equipments
4. Always use genuine spares and accessories in repairs and usage to derive maximum life of the equipments.
5. Always keep the equipments in good working condition to minimize loss of output as well as to reduce the pollution and save the environment
6. Do not use the machine within range of persons unless they wear protective clothing
7. Do not operate the machine when fatigued or under the influence of alcohol or drugs
8. For more query kindly contact for our Service Center/Dealer/ franchise

# NO. 1 CHOICE OF FARMERS SINCE 1999



Marketed by.  
**ratnagiri  
impex**  
BRINGING YOU THE FUTURE... NOW

**RATNAGIRI IMPEX PVT., LTD.,**

Annapurna House, #1 / 1G, 7th Cross, New  
Guddadahalli

Mysore Road, Bangalore - 560 026

Missed Call : 7393 938 938

Email: [ask@agrimart.in](mailto:ask@agrimart.in)