

## INTERCUTIVATOR/POWER WEEDER

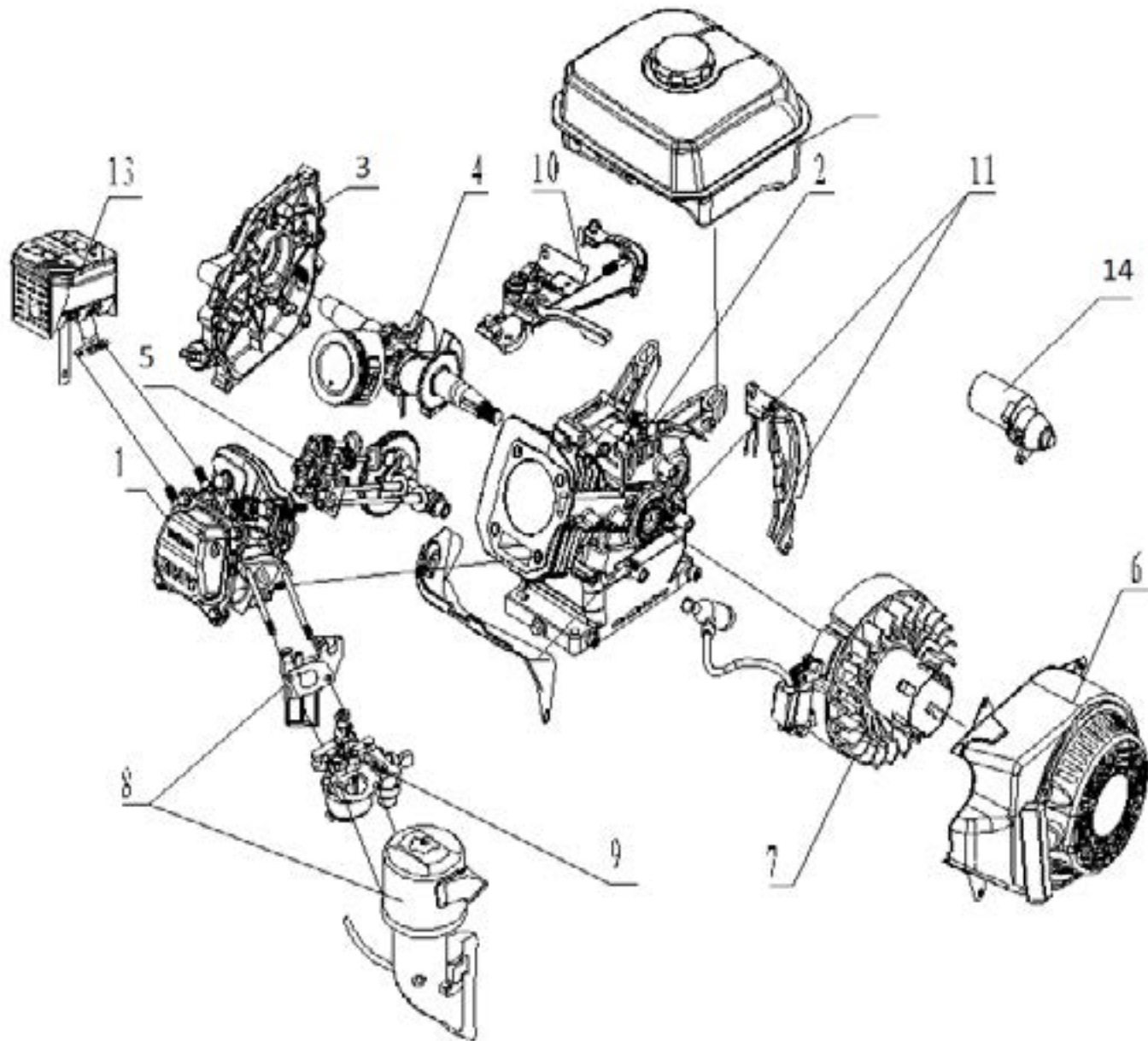
### AM-170FP ENGINE PART DIAGRAM & PART LIST OF

AM-RTP-5P

AM-RT-212

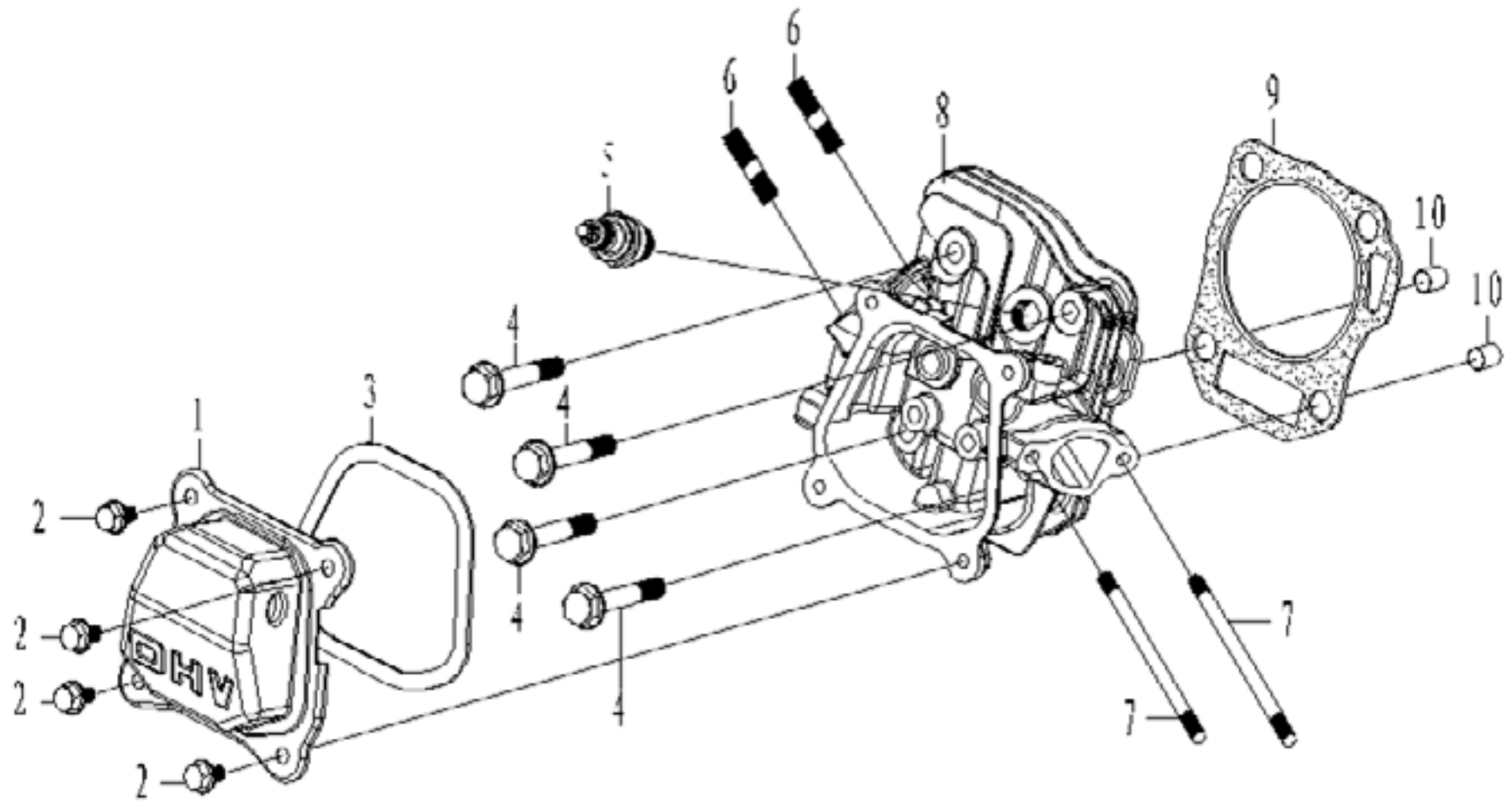
AM-RTP-7P

# ENGINE ASSY - A



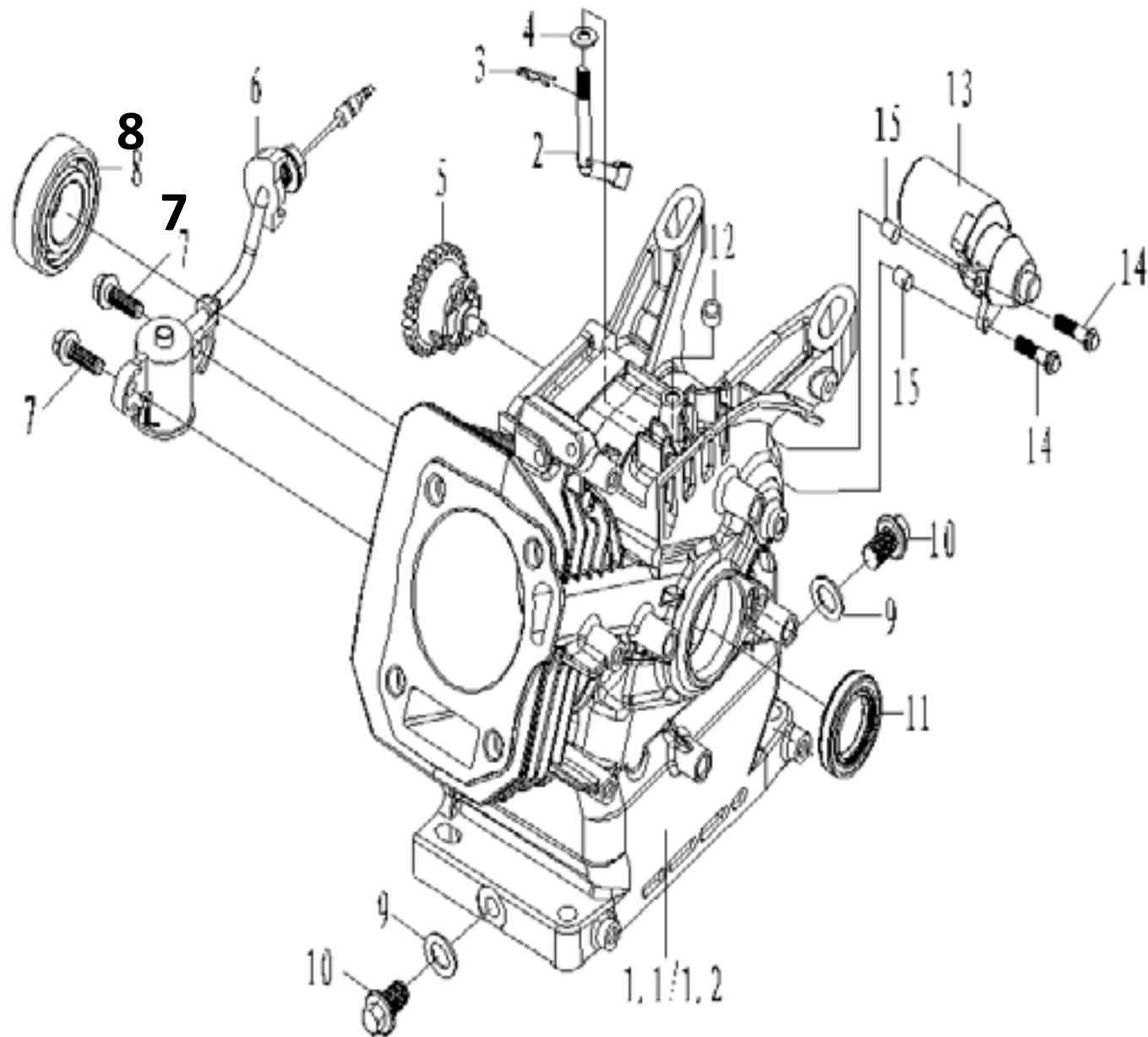
SL NO	PART NO	DESCRIPTION	SL NO	PART NO	DESCRIPTION
1	AM-170FP-EA01	HEAD ASSY			
2	AM-170FP-EA02	CRANKCASE ASSY			
3	AM-170FP-EA03	CRANKCASE COVER ASSY			
4	AM-170FP-EA04	CRANK-CONNECTING ROD ASSY			
5	AM-170FP-EA05	VALVE TRAIN ASSY			
6	AM-170FP-EA06	STAR ASSY			
7	AM-170FP-EA07	FLYWHEEL AND IGNITION ASSY			
8	AM-170FP-EA08	INLET ASSY			
9	AM-170FP-EA09	CARBURETOR CIRCUIT ASSY			
10	AM-170FP-EA10	THROTTLE CONTROL ASSY			
11	AM-170FP-EA11	WIND DEFLECTOR			
12	AM-170FP-EA12	FULE OIL ASSY			
13	AM-170FP-EA13	EXHAUST ASSY			
14	AM-170FP-EA14	START MOTOR ASSY			

# HEAD ASSAMBLEY-B



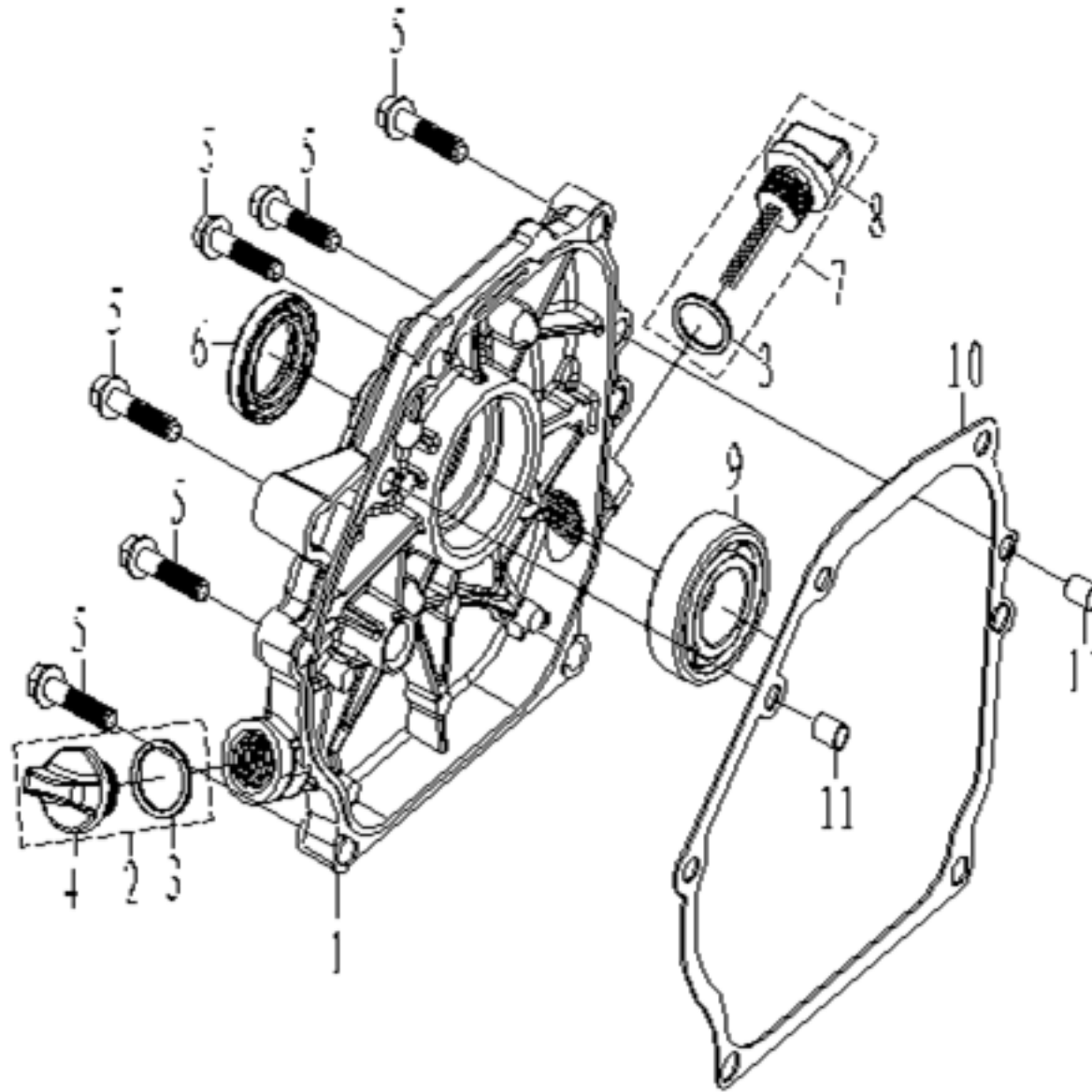


# CRANK CASE ASSY-C





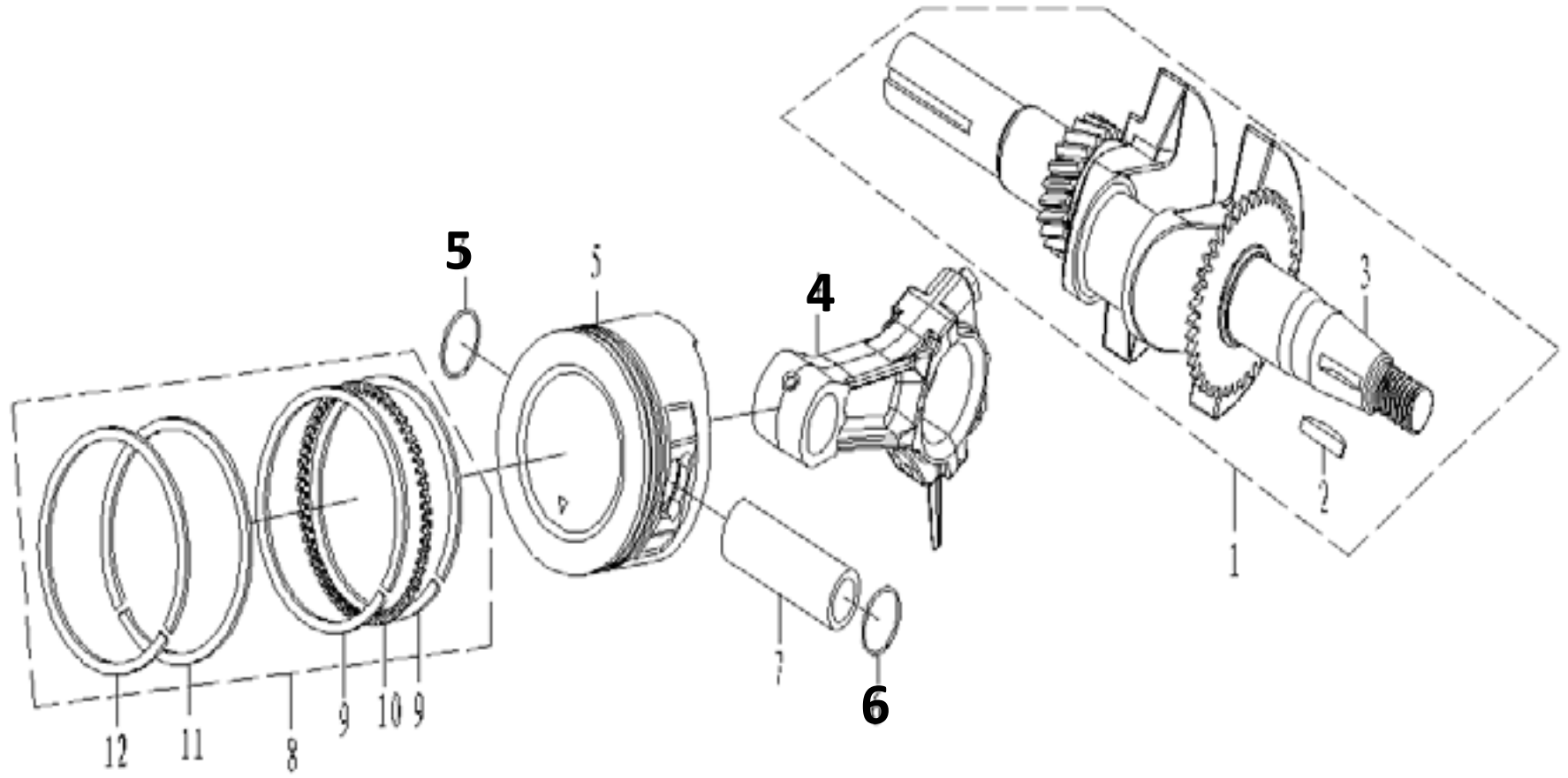
# CRANK CASE COVER ASSY-D





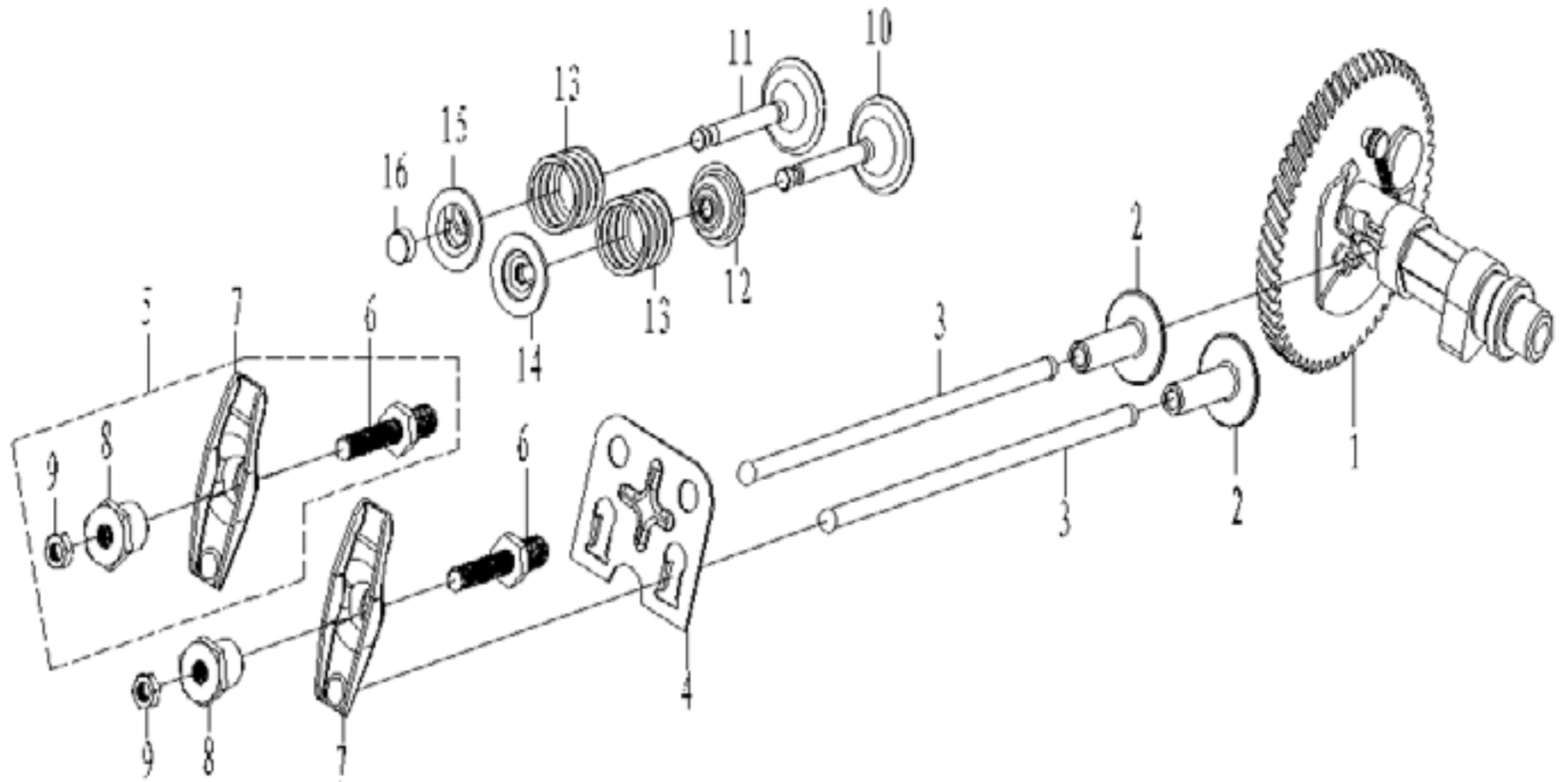
SL NO	PART NO	DESCRIPTION	SL NO	PART NO	DESCRIPTION
1.1	AM-170FP-EC1.1	CRANKCASE COMP			
1.1	AM-170FP-EC1.2	CRANKCASE COMP			
2	AM-170FP-EC02	GOVERNOR ARM SHAFT			
2	AM-170FP-EC03	GOVERNOR ARM SHAFT LOCKER			
2	AM-170FP-EC04	PLAIN WASHER			
2	AM-170FP-EC05	GOVERNOR KIT			
2	AM-170FP-EC06	OIL SENSOR			
2	AM-170FP-EC07	BOLT			
2	AM-170FP-EC08	BEARING			
2	AM-170FP-EC09	PLAIN WASHER			
2	AM-170FP-EC10	DRAIN PLUG BOLT			
2	AM-170FP-EC11	OIL SEAL			
2	AM-170FP-EC12	OIL SEAL			
2	AM-170FP-EC13	START MOTOR ASSY			
2	AM-170FP-EC14	BOLT			
2	AM-170FP-EC15	DOWEL PIN			

# CRANK CONNECTING ROD ASSY - E



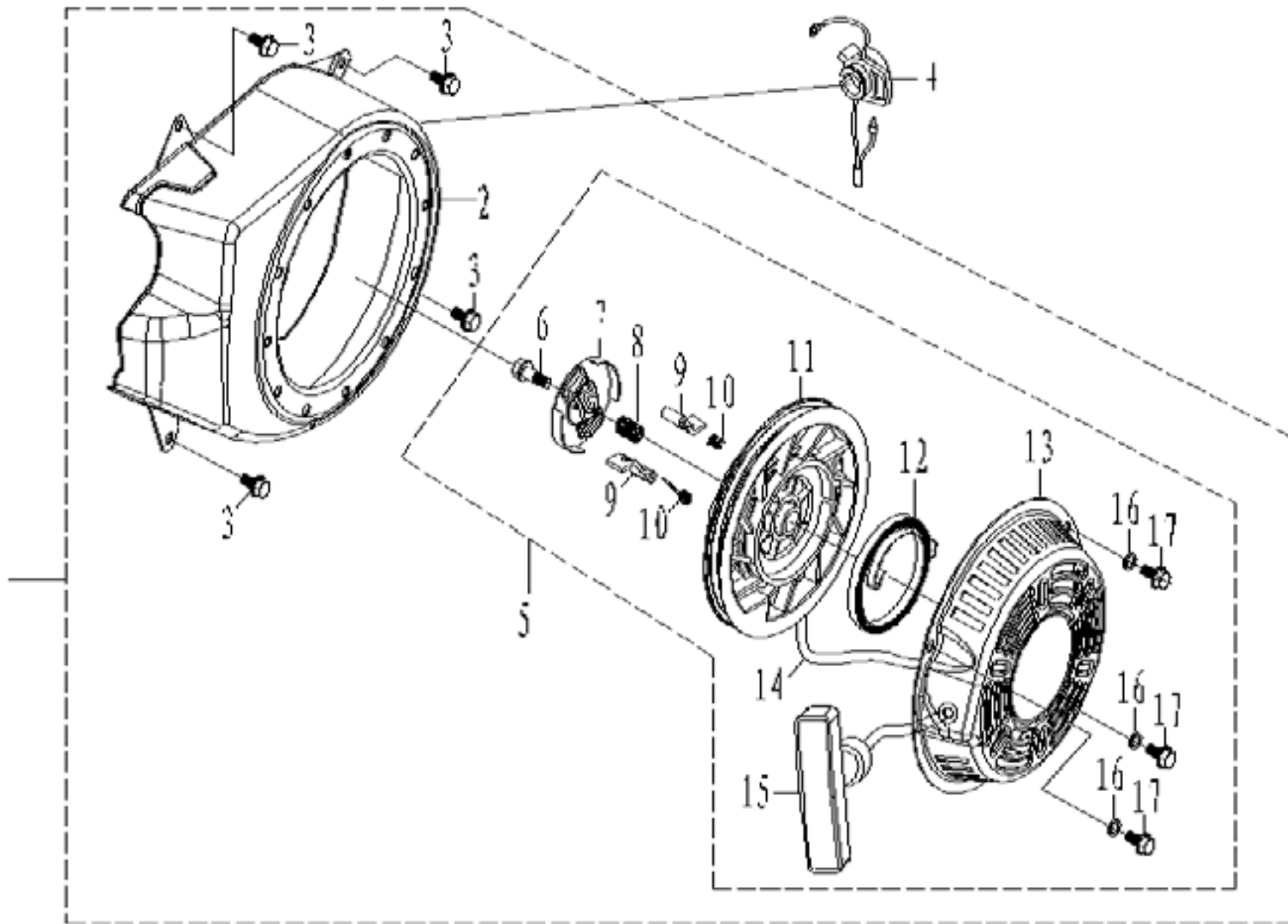
SL NO	PART NO	DESCRIPTION	SL NO	PART NO	DESCRIPTION
1	AM-170FP-EE01	CRANK SHAFT ASSY			
2	AM-170FP-EE02	SPECIAL WOODRUFF KEY			
3	AM-170FP-EE03	CRANK SHAFT			
4	AM-170FP-EE04	CONNECTING ROD ASSY			
5	AM-170FP-EE05	PISTON			
6	AM-170FP-EE06	CLIP PISTON PIN			
7	AM-170FP-EE07	PIN PISTON			
8	AM-170FP-EE08	PISTON RING ASSY			
9	AM-170FP-EE09	FILM LOOP			
10	AM-170FP-EE10	BUSH RING			
11	AM-170FP-EE11	GAS RING TWO			
12	AM-170FP-EE12	GAS RING ONE			

# VALVE TRAIN ASSY - F



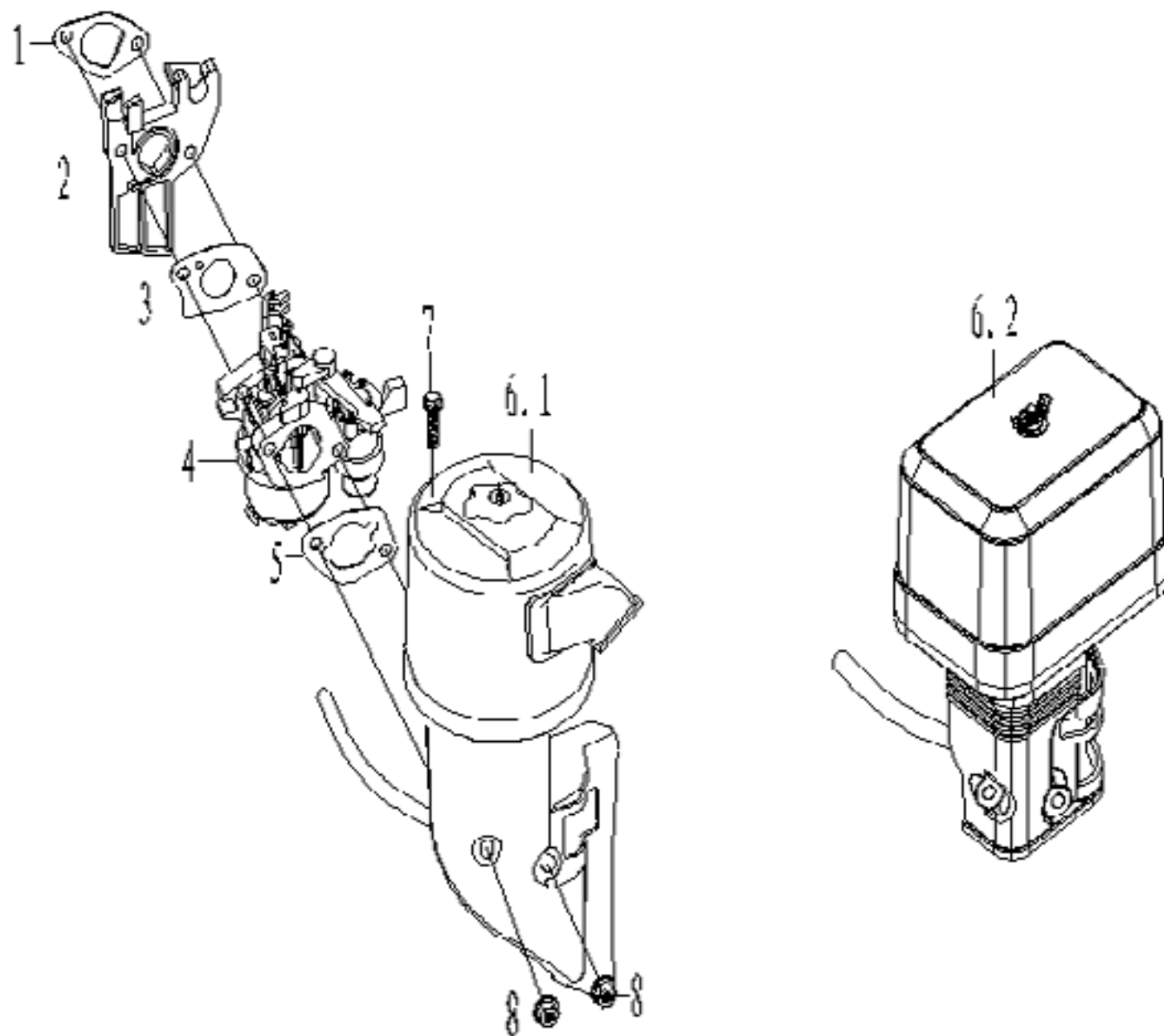
SL NO	PART NO	DESCRIPTION	SL NO	PART NO	DESCRIPTION
1	AM-170FP-EF01	CAMSHAFT ASSY			
2	AM-170FP-EF02	VALVE LIFTER			
3	AM-170FP-EF03	PUSH ROD			
4	AM-170FP-EF04	PUSH ROD GUIDE PLATE			
5	AM-170FP-EF05	VALVE ROCKER ARM ASSY			
6	AM-170FP-EF06	PIVOT BOLT			
7	AM-170FP-EF07	VALVE ROCKER ARM			
8	AM-170FP-EF08	VALVE ADJUSTING NUT			
9	AM-170FP-EF09	PIVOT LOCKING NUT			
10	AM-170FP-EF10	INLET VALVE			
11	AM-170FP-EF11	EXHAUST VALVE			
12	AM-170FP-EF12	VALVE SEAL			
13	AM-170FP-EF13	VALVE SPRING			
14	AM-170FP-EF14	INTAKE VALVE SPRING SEAT			
15	AM-170FP-EF15	EXHAUST VALVE SPRING SEAT			
16	AM-170FP-EF16	EX. VALVE ADJUSTER			

# STARTER ASSY - G



SL NO	PART NO	DESCRIPTION	SL NO	PART NO	DESCRIPTION
1	AM-170FP-EG01	RECOIL STARTER ASSY			
2	AM-170FP-EG02	WIND SCOOPER			
3	AM-170FP-EG03	BOLT			
4	AM-170FP-EG04	ENGINE STOP SWITH ASSY			
5	AM-170FP-EG05	RECOIL STARTER COMP			
6	AM-170FP-EG06	CENTER POSITION BOLT			
7	AM-170FP-EG07	GUIDE RATCHET			
8	AM-170FP-EG08	CENTER POSITION SPRING			
9	AM-170FP-EG09	STARTER RATCHET			
10	AM-170FP-EG10	RETURN SPRING			
11	AM-170FP-EG11	RECOIL STARTER REEL			
12	AM-170FP-EG12	STARTER RETURN SPRING			
13	AM-170FP-EG13	RECOIL STARTER COVER COMP			
14	AM-170FP-EG14	RECOIL STARTER ROPE			
15	AM-170FP-EG15	HANDLE STARTER			
16	AM-170FP-EG16	RECOIL STARTER ASSY			
17	AM-170FP-EG17	BOLT			

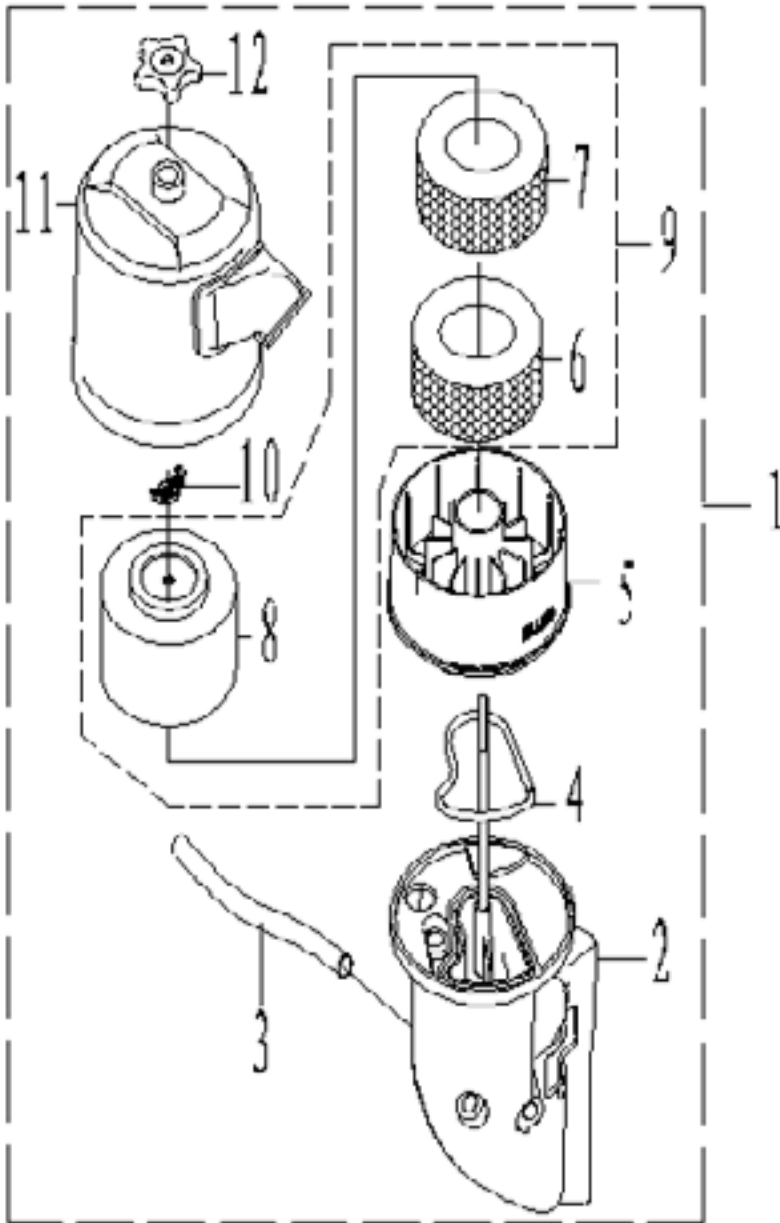
# INLET ASSY - H







# AIR FILTER ASSY - J

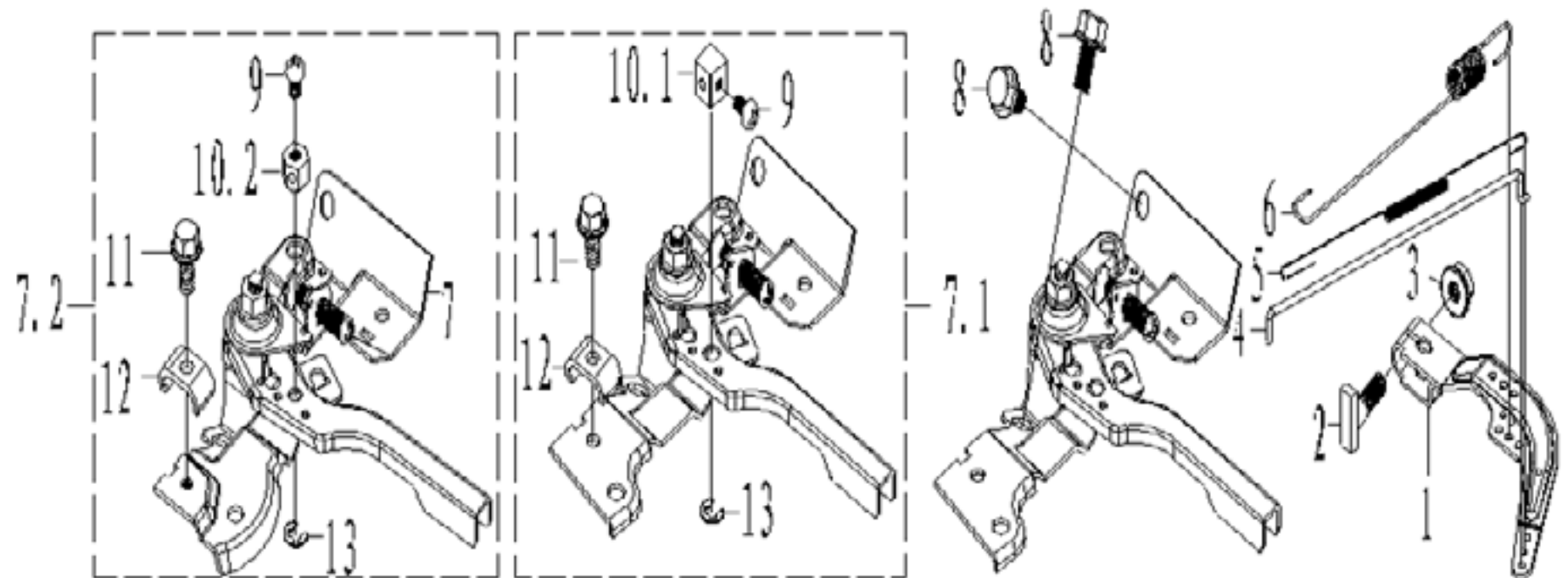


SL NO	PART NO	DESCRIPTION
1	AM-170FP-EJ01	AIR CLEANER ASSY
2	AM-170FP-EJ02	AIR CLEANER CASE
3	AM-170FP-EJ03	WASTE GAS PIPE
4	AM-170FP-EJ04	PACKING
5	AM-170FP-EJ05	Air filter oil filter oil cup
6	AM-170FP-EJ06	AIR CLEANER SPENGE ELEMENT
7	AM-170FP-EJ07	AIR CLEANER SPENGE ELEMENT
8	AM-170FP-EJ08	SEAL COVER
9	AM-170FP-EJ09	AIR CLEANER SPENGE ELEMENT
10	AM-170FP-EJ10	BUTTERFLY NUT
11	AM-170FP-EJ11	AIR CLEANER COVER
12	AM-170FP-EJ12	Air filter cover locking handle



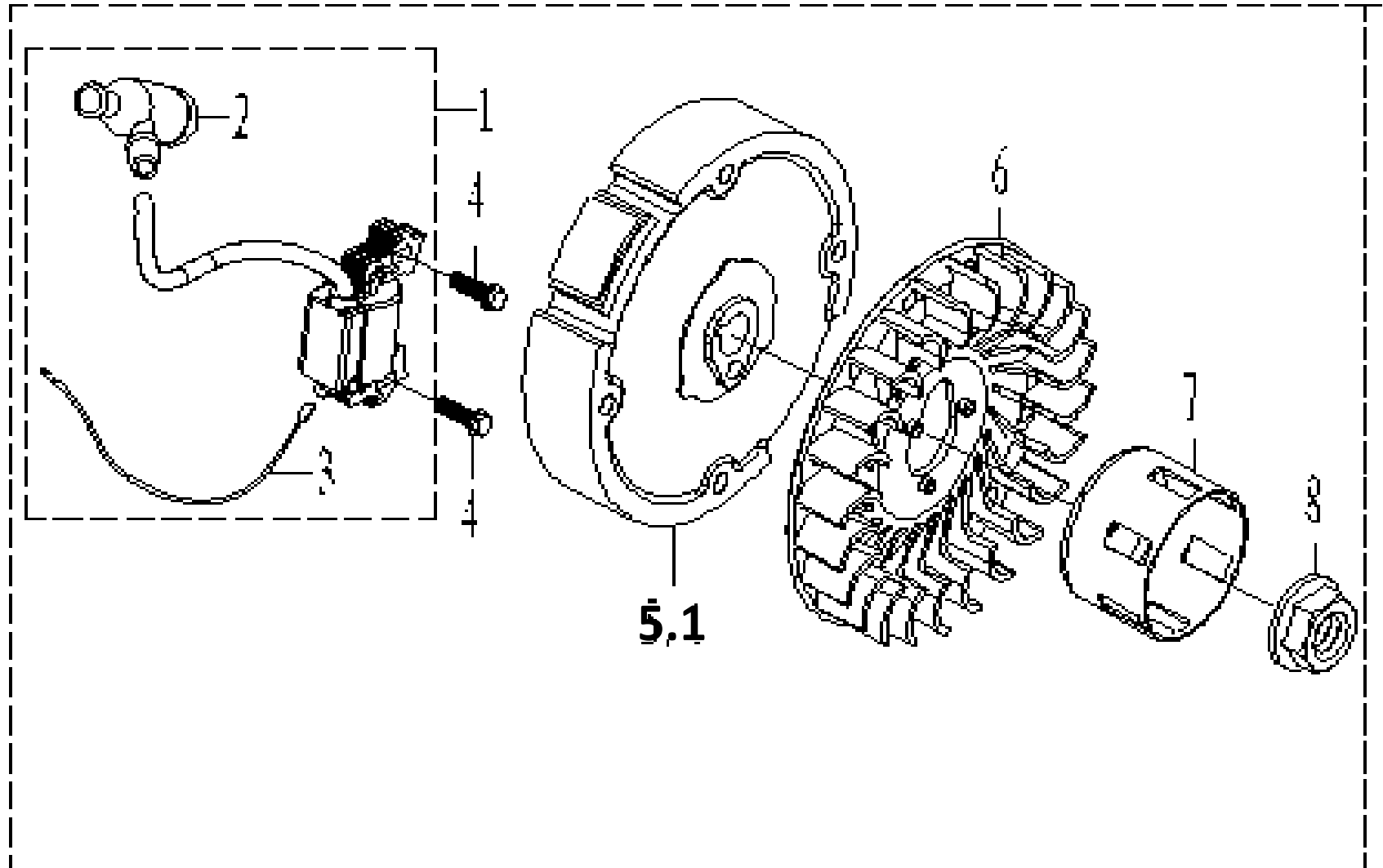
SL NO	PART NO	DESCRIPTION	SL NO	PART NO	DESCRIPTION
1	AM-170FP-EK01	CARBURETOR	17	AM-170FP-EK17	WASHER
2	AM-170FP-EK02	CHOKE PLATE HANDLE	18	AM-170FP-EK18	GASKET
3	AM-170FP-EK03	IDLE HOLE COMPONENT	19	AM-170FP-EK19	DRAIN PLUG BOLT
4	AM-170FP-EK04	PILOT JET SET	20	AM-170FP-EK20	BOLT
5	AM-170FP-EK05	PIN	21	AM-170FP-EK21	CHOKE SHAFT
6	AM-170FP-EK06	MAIN NOZZLE			
7	AM-170FP-EK07	MAIN JET			
8	AM-170FP-EK08	SCREW			
9	AM-170FP-EK09	FUEL SWITCH COVER PLATE			
10	AM-170FP-EK10	WASHER			
11	AM-170FP-EK11	FUEL SWITCH HANDLE			
12	AM-170FP-EK12	FUEL SWITCH SEAL			
13	AM-170FP-EK13	SEDIMENT BOWL SEAL			
14	AM-170FP-EK14	SEDIMENT BOWL			
15	AM-170FP-EK15	FLOAT SET			
16	AM-170FP-EK16	FLOAT CHAMBER SET			

# THROTTLE CONTROL ASSY - L

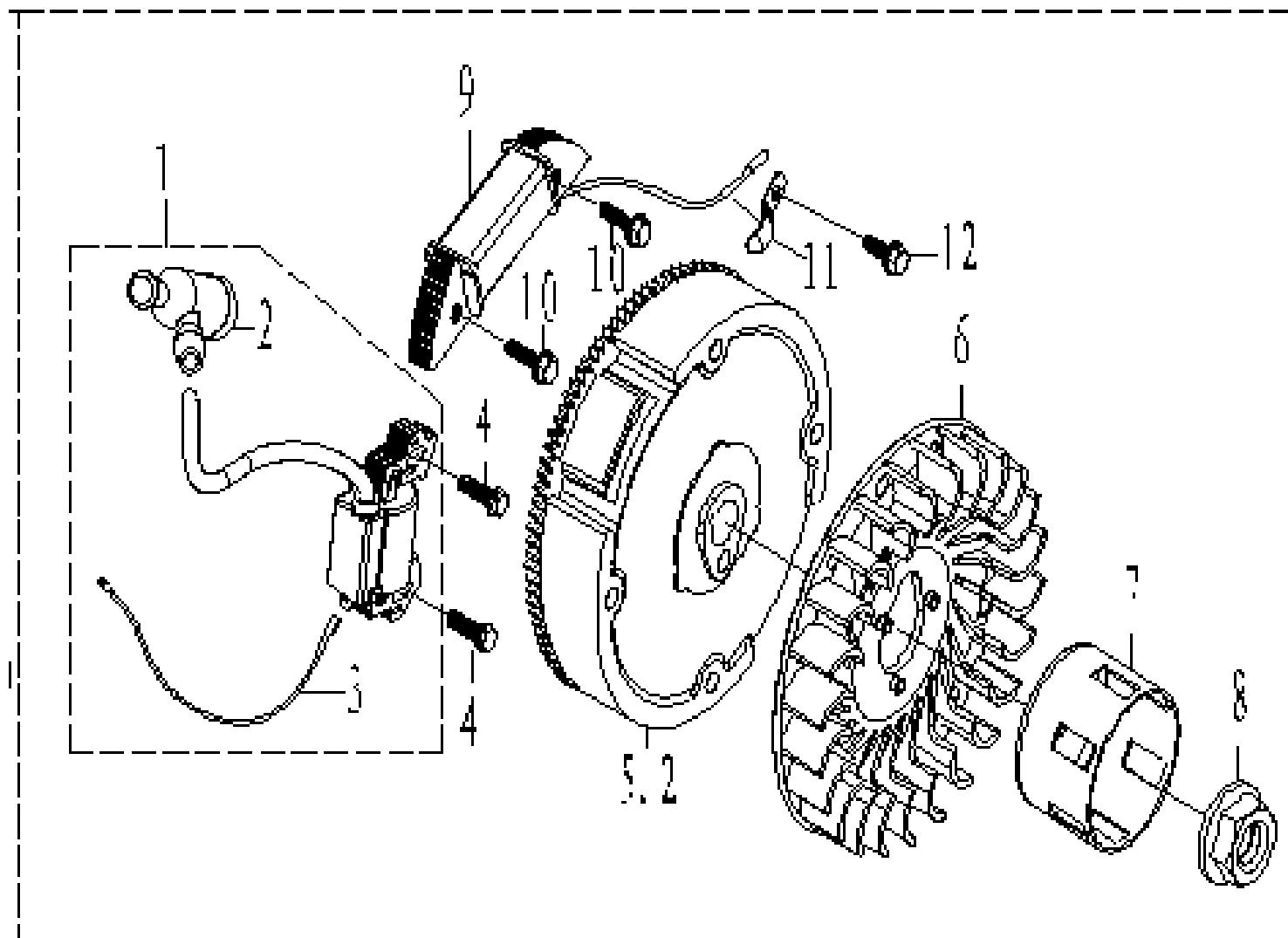


SL NO	PART NO	DESCRIPTION	SL NO	PART NO	DESCRIPTION
1	AM-170FP-EL01	GOVERNOR ARM			
2	AM-170FP-EL02	T-SHAPE BOLT			
3	AM-170FP-EL03	NUT			
4	AM-170FP-EL04	TIE ROD			
5	AM-170FP-EL05	FINE ADJUSTMENT SPRING			
6	AM-170FP-EL06	GOVERNING SPRING			
7.1	AM-170FP-EL07	CONTROL ASSY			
7.2	AM-170FP-EL08	CONTROL ASSY			
8	AM-170FP-EL09	BOLT			
9	AM-170FP-EL10	SCREW			
10.1	AM-170FP-EL10.1	WIRE TERMINAL			
10.2	AM-170FP-EL10.2	WIRE TERMINAL			
11	AM-170FP-EL11	BOLT			
12	AM-170FP-EL12	PRESS LINE BOARD			
13	AM-170FP-EL13	SPLIT WASHER			

# FLYWHEEL AND IGNITION ASSY -M



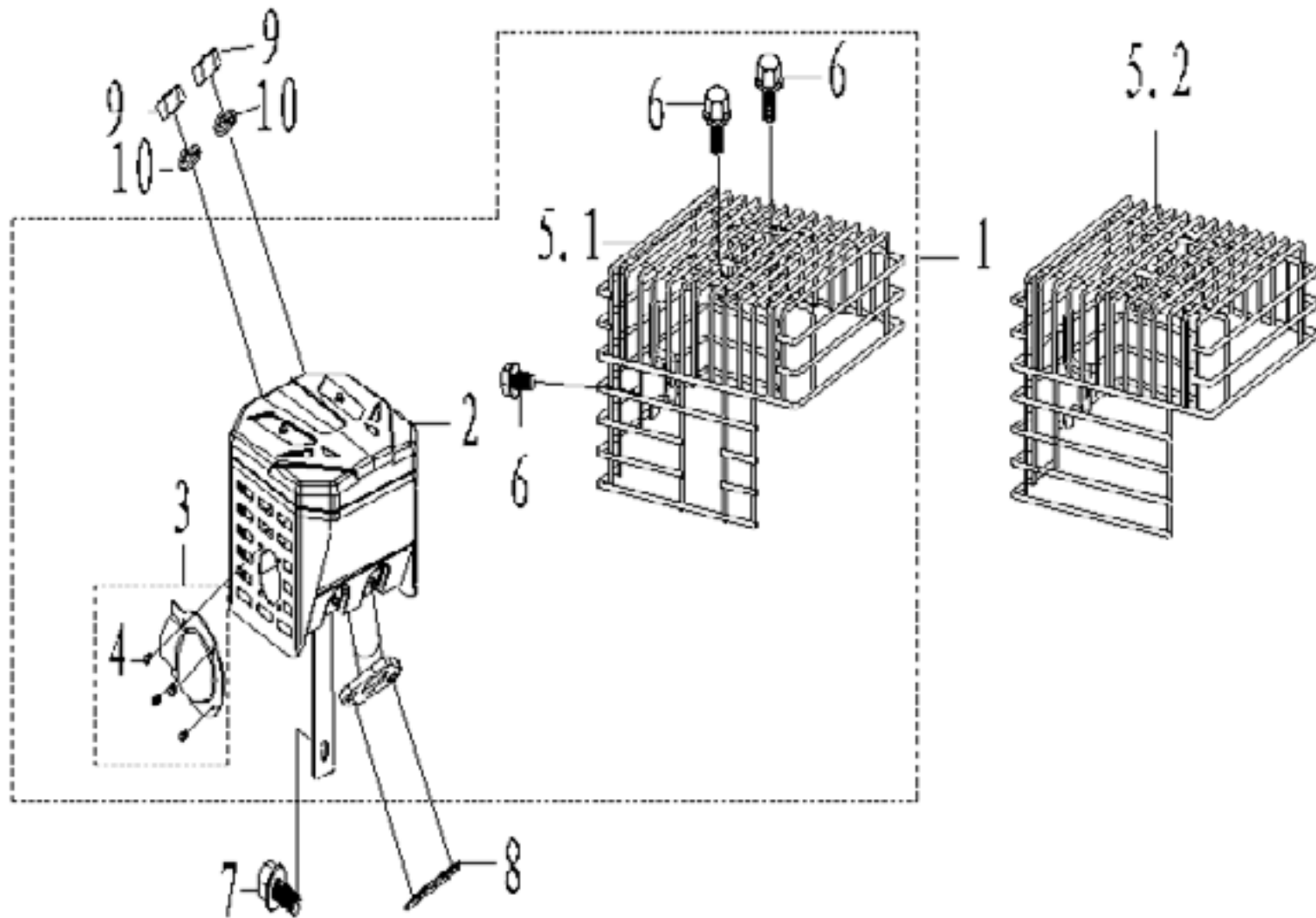
# FLYWHEEL AND IGNITION ASSY -M





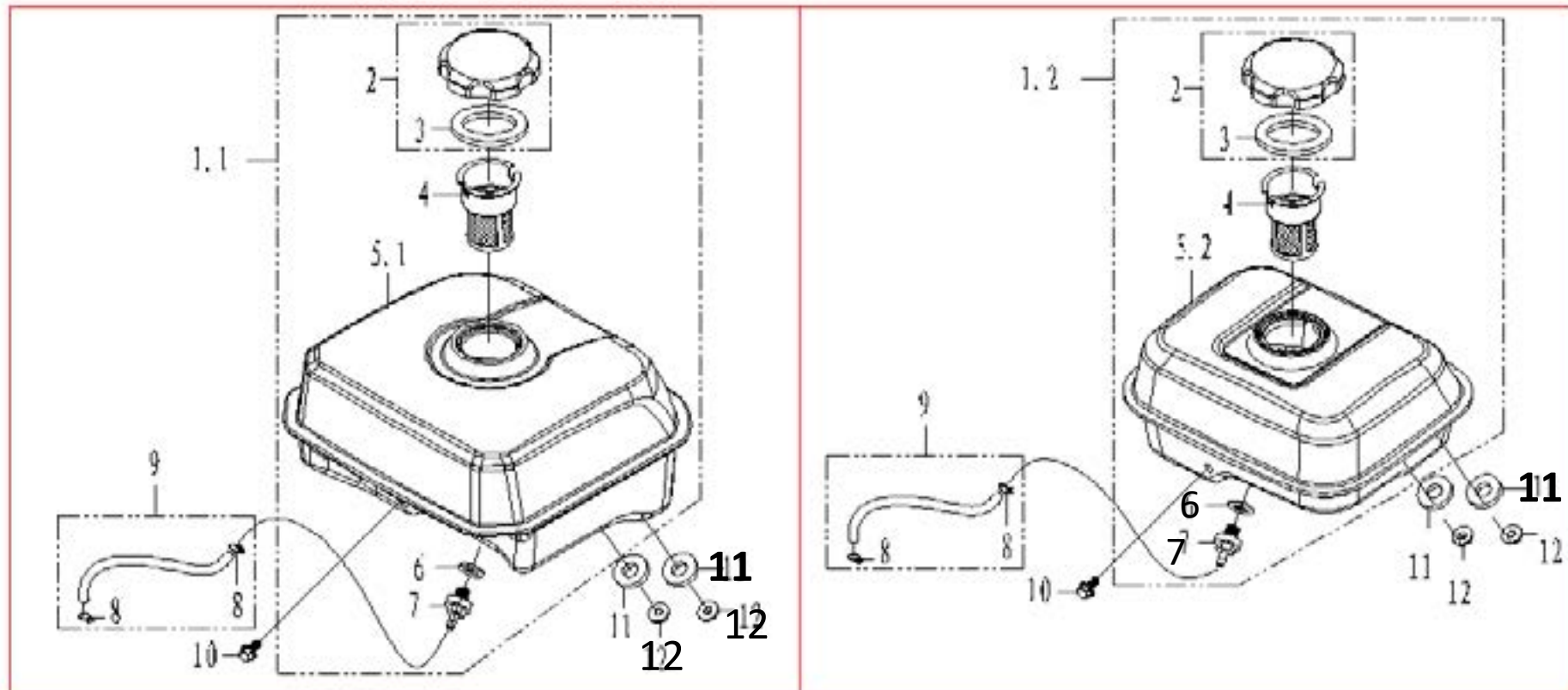
SL NO	PART NO	DESCRIPTION	SL NO	PART NO	DESCRIPTION
1	AM-170FP-EM01	IGNITION			
2	AM-170FP-EM02	IGNITION CAP			
3	AM-170FP-EM03	CORD STOP SWITCH			
4	AM-170FP-EM04	BOLT			
5.1	AM-170FP-EM5.1	FLYWEEL			
5.2	AM-170FP-EM5.2	FLYWEEL			
6	AM-170FP-EM06	COOLING FAN			
7	AM-170FP-EM07	STARTER PULLEY			
8	AM-170FP-EM08	NUT			
9	AM-170FP-EM09	CHARGE COIL ASSY			
10	AM-170FP-EM10	NUT			
11	AM-170FP-EM11	CLAMPING PLATE			
12	AM-170FP-EM12	NUT			

# EXHAUST ASSY - N



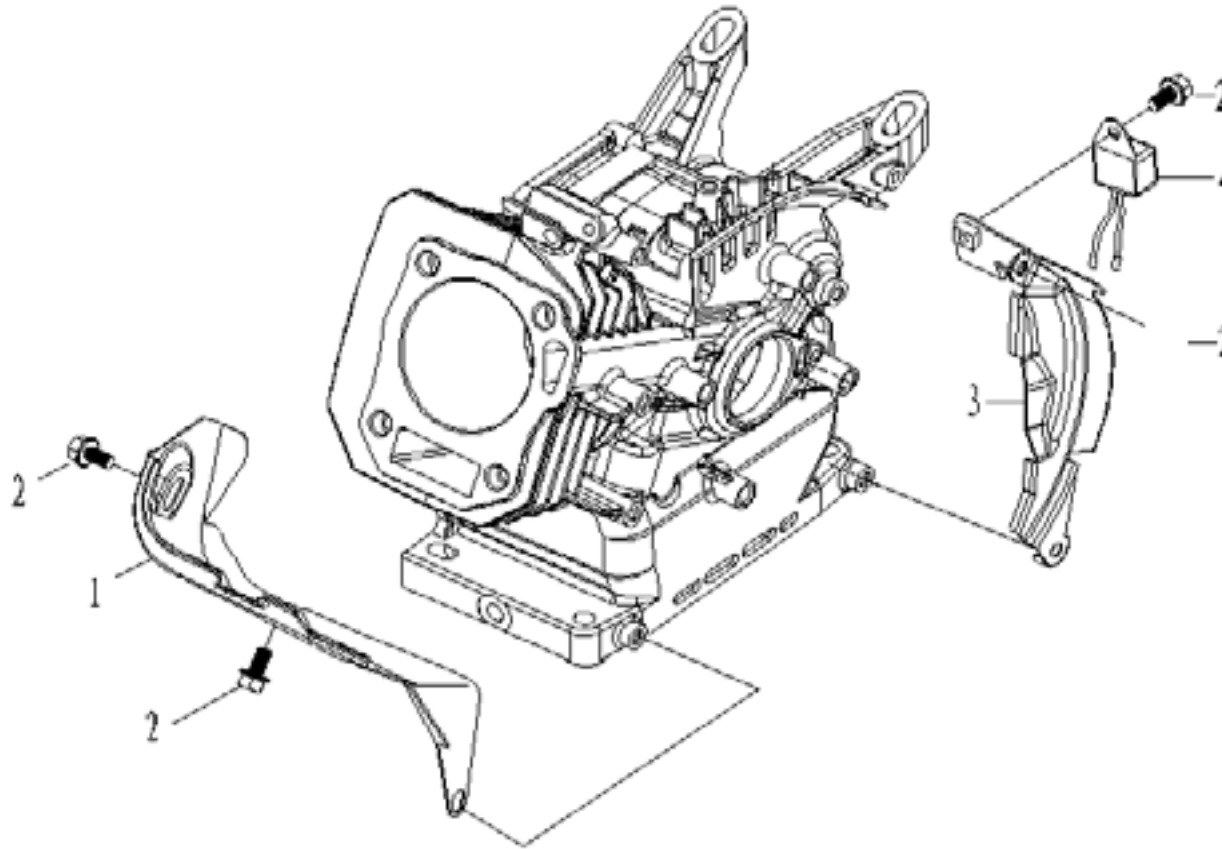
SL NO	PART NO	DESCRIPTION	SL NO	PART NO	DESCRIPTION
1	AM-170FP-EN01	MUFFLER COMP			
2	AM-170FP-EN02	MUFFLER COMP			
3	AM-170FP-EN03	GUIDING COVER			
4	AM-170FP-EN04	SCREW			
5.1	AM-170FP-EN5.1	FLYWHEEL			
5.2	AM-170FP-EN5.2	FLYWHEEL			
6	AM-170FP-EN6	BOLT			
7	AM-170FP-EN7	BOLT			
8	AM-170FP-EN8	AIR EXHAUST WASHER			
9	AM-170FP-EN9	NUT			
10	AM-170FP-EN10	SPRING WASHER			

# FULE OIL ASSY-P



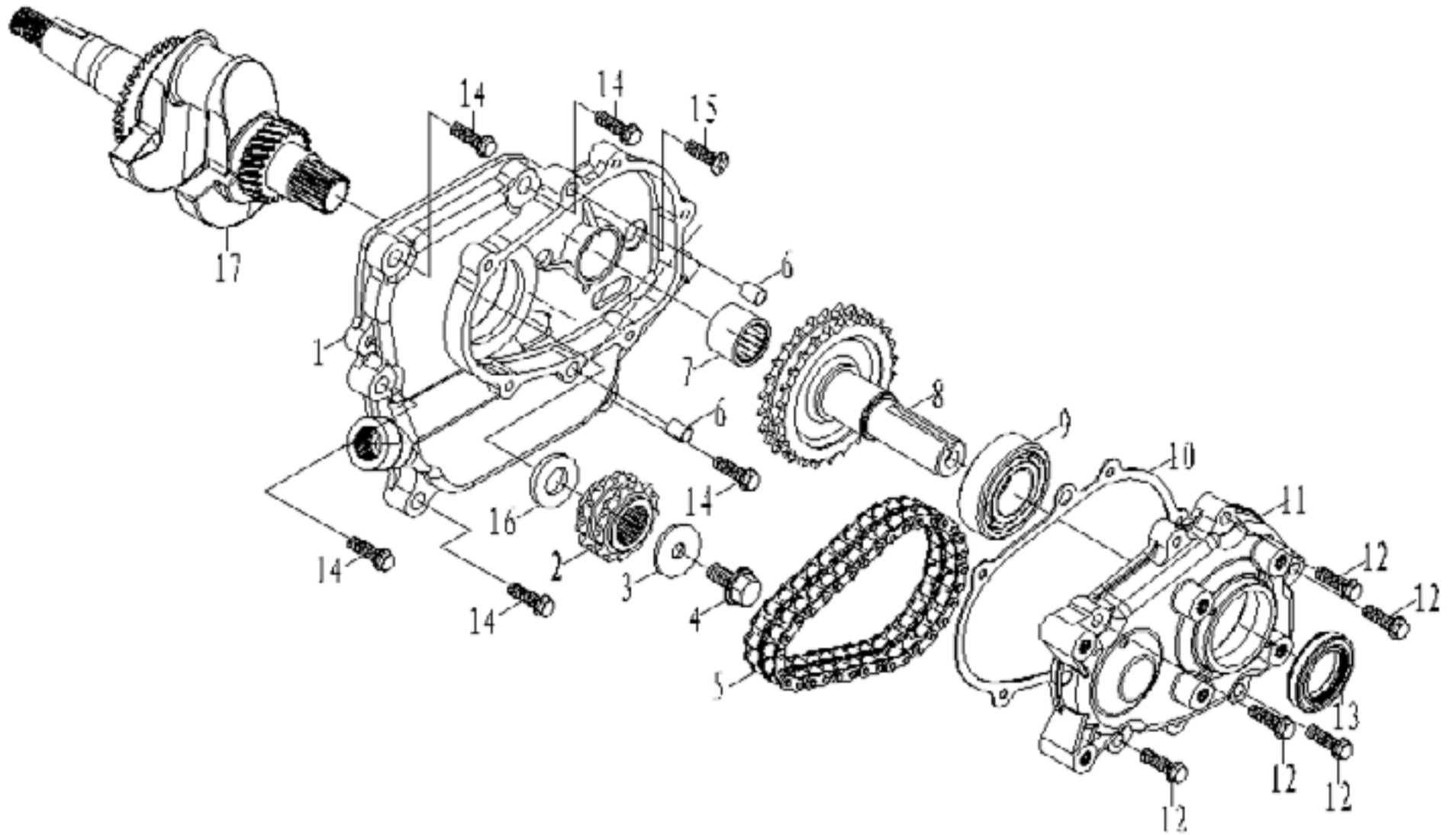
SL NO	PART NO	DESCRIPTION	SL NO	PART NO	DESCRIPTION
1.1	AM-170FP-EP1.1	TANK FUEL COMP			
1.2	AM-170FP-EP1.2	TANK FUEL COMP			
2	AM-170FP-EP02	FUEL FILLER CAP COMP			
3	AM-170FP-EP03	FUEL FILLER PACKING			
4	AM-170FP-EP04	FILTER FUEL			
5.1	AM-170FP-EP5.1	FUEL TANK			
5.2	AM-170FP-EP5.2	FUEL TANK			
6	AM-170FP-EP06	PACKING			
7	AM-170FP-EP07	FUEL TANK JOINT			
8	AM-170FP-EP08	TUBE CLIP			
9	AM-170FP-EP09	FUEL TUBE			
10	AM-170FP-EP10	BOLT			

# WIND DEFLECTOR - Q



SL NO	PART NO	DESCRIPTION	SL NO	PART NO	DESCRIPTION
1	AM-170FP-EQ01	WINDSHIELD			
2	AM-170FP-EQ02	BOLT			
3	AM-170FP-EQ03	SHROUD COMP			
4	AM-170FP-EQ04	PROTECTIVE BREAKER			

# REDUCTION ASSY - R








SL NO	PART NO	DESCRIPTION	SL NO	PART NO	DESCRIPTION
1	AM-170FP-ER01	CRANKCASE COVER ASSY	12	AM-170FP-ER12	BOLT
2	AM-170FP-ER02	DRIVE SPROCKET WHEEL	13	AM-170FP-ER13	OIL SEAL
3	AM-170FP-ER03	WASHER	14	AM-170FP-ER14	BOLT
4	AM-170FP-ER04	BOLT	15	AM-170FP-ER15	SCREW
5	AM-170FP-ER05	CHAIN COMP	16	AM-170FP-ER16	WASHER
6	AM-170FP-ER06	DOWEL PIN	17	AM-170FP-ER17	CRANK SHAFT ASSY
7	AM-170FP-ER07	BEARING			
8	AM-170FP-ER08	DRIVEN SPROCKET WHEEL			
9	AM-170FP-ER09	BEARING			
10	AM-170FP-ER10	PACKING			
11	AM-170FP-ER11	REDUCTION GEARBOX COVER			








# WARRANTY CARD

## CUSTOMER COPY

DATE _____	DATE OF DELIVERY _____	DEALERS OFFICIAL SEAL	DEALERS SIGN _____
PURCHASERS NAME & ADDRESS _____ _____	 CUSTOMER SIGN		
PRODUCT NAME	PRODUCT SERIAL NO.	INVOICE/DN NO.	
			






I/Will accept the terms and conditions of warranty as in the warranty card

## DEALERS COPY

DATE _____	DATE OF DELIVERY _____	DEALERS OFFICIAL SEAL	DEALERS SIGN _____
PURCHASERS NAME & ADDRESS _____ _____	 CUSTOMER SIGN		
PRODUCT NAME	PRODUCT SERIAL NO.	INVOICE/DN NO.	
			

I/Will accept the terms and conditions of warranty as in the warranty card

## COMPANY COPY

DATE _____	DATE OF DELIVERY _____	DEALERS OFFICIAL SEAL	DEALERS SIGN _____
PURCHASERS NAME & ADDRESS _____ _____	 CUSTOMER SIGN		
PRODUCT NAME	PRODUCT SERIAL NO.	INVOICE/DN NO.	
			

I/Will accept the terms and conditions of warranty as in the warranty card

1. LIMITED WARRANTY PERIOD : For a period of six months from the date of Sale / delivery of the product which ever is earlier. 2. LIMITED WARRANTY OBLIGATION : Replacement of defective part(s) by authorized dealer are free of charges. If found defective by reasons of defective material / poor workmanship, parts will be replaced and there will be no value re-imburement. 3. TERMS & CONDITIONS : a. Claims under warranty will be accepted on submission of Warranty Card duly filled and stamped by authorized dealer together with the original purchase document. : b. Shipping / transportation / Incidental charges incurred in replacing defective parts under warranty shall be borne by the purchaser

WARRANTY null & void if

- (i) Lack of maintenance, (ii) Incorrect use of the machine or tampering, (iii) Use of non-genuine spare parts, (iv) Usage of acids, solvents, or any flammable materials, (v) Non-usage of filter water / clear water / soft water & using water above 40°C temperature, (vi) While using the pressure washers to draw water which is contaminated with dust & solvents (eg. paint thinners, gasoline, oil, etc.), (vii) Repair done by unauthorized service people, (viii) Those parts subject to wear & tear due to normal operations and plastic parts, rubber items etc, (ix) Loose connections, faulty electrical fixtures & fluctuations in power supply.
- 4. Should any failure occur during or after the warranty period, customer does not have the right to interrupt payment / price discount.
- 5. Incidental or consequential damages like inconvenience commercial loss, loss of tie, mental agony etc.
- 6. Loss of any nature due to operation or non-operation is not covered under warranty.
- 7. All free service are at Dealer's service point only.
- 8. Warranty ceases if service is not done periodically.
- 9. The attached card should be completed and returned to Ratnagiri Impex Pvt. Ltd. for registration immediately after sale / delivery.
- 10. The warranty is void unless you register the warranty card with Ratnagiri Impex Pvt. Ltd.
- 11. The decision of Ratnagiri Impex Pvt. Ltd., in settling the warranty is final in all respects.
- 12. All disputes are subject to Bangalore Courts Jurisdiction

1. LIMITED WARRANTY PERIOD : For a period of six months from the date of Sale / delivery of the product which ever is earlier. 2. LIMITED WARRANTY OBLIGATION : Replacement of defective part(s) by authorized dealer are free of charges. If found defective by reasons of defective material / poor workmanship, parts will be replaced and there will be no value re-imburement. 3. TERMS & CONDITIONS : a. Claims under warranty will be accepted on submission of Warranty Card duly filled and stamped by authorized dealer together with the original purchase document. : b. Shipping / transportation / Incidental charges incurred in replacing defective parts under warranty shall be borne by the purchaser.

WARRANTY null & void if

- (i) Lack of maintenance, (ii) Incorrect use of the machine or tampering, (iii) Use of non-genuine spare parts, (iv) Usage of acids, solvents, or any flammable materials, (v) Non-usage of filter water / clear water / soft water & using water above 40°C temperature, (vi) While using the pressure washers to draw water which is contaminated with dust & solvents (eg. paint thinners, gasoline, oil, etc.), (vii) Repair done by unauthorized service people, (viii) Those parts subject to wear & tear due to normal operations and plastic parts, rubber items etc, (ix) Loose connections, faulty electrical fixtures & fluctuations in power supply.
- 4. Should any failure occur during or after the warranty period, customer does not have the right to interrupt payment / price discount.
- 5. Incidental or consequential damages like inconvenience commercial loss, loss of tie, mental agony etc.
- 6. Loss of any nature due to operation or non-operation is not covered under warranty.
- 7. All free service are at Dealer's service point only.
- 8. Warranty ceases if service is not done periodically.
- 9. The attached card should be completed and returned to Ratnagiri Impex Pvt. Ltd. for registration immediately after sale / delivery.
- 10. The warranty is void unless you register the warranty card with Ratnagiri Impex Pvt. Ltd.
- 11. The decision of Ratnagiri Impex Pvt. Ltd., in settling the warranty is final in all respects.
- 12. All disputes are subject to Bangalore Courts Jurisdiction

1. LIMITED WARRANTY PERIOD : For a period of six months from the date of Sale / delivery of the product which ever is earlier. 2. LIMITED WARRANTY OBLIGATION : Replacement of defective part(s) by authorized dealer are free of charges. If found defective by reasons of defective material / poor workmanship, parts will be replaced and there will be no value re-imburement. 3. TERMS & CONDITIONS : a. Claims under warranty will be accepted on submission of Warranty Card duly filled and stamped by authorized dealer together with the original purchase document. : b. Shipping / transportation / Incidental charges incurred in replacing defective parts under warranty shall be borne by the purchaser.

WARRANTY null & void if

- (i) Lack of maintenance, (ii) Incorrect use of the machine or tampering, (iii) Use of non-genuine spare parts, (iv) Usage of acids, solvents, or any flammable materials, (v) Non-usage of filter water / clear water / soft water & using water above 40°C temperature, (vi) While using the pressure washers to draw water which is contaminated with dust & solvents (eg. paint thinners, gasoline, oil, etc.), (vii) Repair done by unauthorized service people, (viii) Those parts subject to wear & tear due to normal operations and plastic parts, rubber items etc, (ix) Loose connections, faulty electrical fixtures & fluctuations in power supply.
- 4. Should any failure occur during or after the warranty period, customer does not have the right to interrupt payment / price discount.
- 5. Incidental or consequential damages like inconvenience commercial loss, loss of tie, mental agony etc.
- 6. Loss of any nature due to operation or non-operation is not covered under warranty.
- 7. All free service are at Dealer's service point only.
- 8. Warranty ceases if service is not done periodically.
- 9. The attached card should be completed and returned to Ratnagiri Impex Pvt. Ltd. for registration immediately after sale / delivery.
- 10. The warranty is void unless you register the warranty card with Ratnagiri Impex Pvt. Ltd.
- 11. The decision of Ratnagiri Impex Pvt. Ltd., in settling the warranty is final in all respects.
- 12. All disputes are subject to Bangalore Courts Jurisdiction



**FREE SERVICE COUPON (30DAYS/30HRS. WHICHEVER IS EARLIER)**

MODEL	<input type="text"/>	SERIAL NUMBER	<input type="text"/>
PDI DATE	SERVICE NO.	PURCHASE BILL NO.	DATE
<input type="text"/>	<input type="text"/>	<input type="text"/>	<input type="text"/>
DEALERS OFFICE SEAL	OPERATIONS		
<input type="text"/>	<ol style="list-style-type: none"> <li>1. Check and test the fuel mixture</li> <li>3. Check , clean and adjust the spark plug</li> <li>5. Check and sparken the cutting tools</li> <li>7. Start and check the noise, vibration, loosen etc..</li> </ol>	<ol style="list-style-type: none"> <li>2. check and clean the air filter</li> <li>4. Check and adjust the carburetor tuning</li> <li>6. Product familirisation on usage</li> <li>8. Routine maintenance and shortage.</li> </ol>	

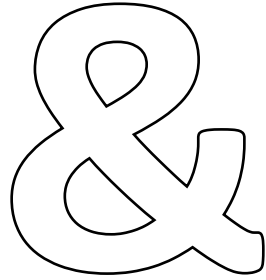
**FREE SERVICE COUPON (30DAYS/30HRS. WHICHEVER IS EARLIER)**

MODEL	<input type="text"/>	SERIAL NUMBER	<input type="text"/>
PDI DATE	SERVICE NO.	PURCHASE BILL NO.	DATE
<input type="text"/>	<input type="text"/>	<input type="text"/>	<input type="text"/>
DEALERS OFFICE SEAL	OPERATIONS		
<input type="text"/>	<ol style="list-style-type: none"> <li>1. Check and test the fuel mixture</li> <li>3. Check , clean and adjust the spark plug</li> <li>5. Check and sparken the cutting tools</li> <li>7. Start and check the noise, vibration, loosen etc..</li> </ol>	<ol style="list-style-type: none"> <li>2. check and clean the air filter</li> <li>4. Check and adjust the carburetor tuning</li> <li>6. Product familirisation on usage</li> <li>8. Routine maintenance and shortage.</li> </ol>	

**FREE SERVICE COUPON (30DAYS/30HRS. WHICHEVER IS EARLIER)**

MODEL	<input type="text"/>	SERIAL NUMBER	<input type="text"/>
PDI DATE	SERVICE NO.	PURCHASE BILL NO.	DATE
<input type="text"/>	<input type="text"/>	<input type="text"/>	<input type="text"/>
DEALERS OFFICE SEAL	OPERATIONS		
<input type="text"/>	<ol style="list-style-type: none"> <li>1. Check and test the fuel mixture</li> <li>3. Check , clean and adjust the spark plug</li> <li>5. Check and sparken the cutting tools</li> <li>7. Start and check the noise, vibration, loosen etc..</li> </ol>	<ol style="list-style-type: none"> <li>2. check and clean the air filter</li> <li>4. Check and adjust the carburetor tuning</li> <li>6. Product familirisation on usage</li> <li>8. Routine maintenance and shortage.</li> </ol>	

# DOS



# DONTs

1. Always read the instruction manual supplied along with the equipments and understand the correct installation and operating procedures before attempting to use the equipments.
2. It is important to use the personal protection equipments such as head helmet with visor, ear defenders, goggles, safety gloves, cut resistant shoes, trousers and jackets while operating potentially dangerous machines
3. Avoid untrained persons using the equipments. Children must not be allowed to handle these equipments
4. Always use genuine spares and accessories in repairs and usage to derive maximum life of the equipments.
5. Always keep the equipments in good working condition to minimize loss of output as well as to reduce the pollution and save the environment
6. Do not use the machine within range of persons unless they wear protective clothing
7. Do not operate the machine when fatigued or under the influence of alcohol or drugs
8. When the machine is running, please maintain a constant water supply. Without water circulation will damage the sealing rings of the machine.
9. For more query kindly contact for our Service Center/Dealer/ franchise

# NO. 1 CHOICE OF FARMERS SINCE 1999



Marketed by.  
**ratnagiri  
impex**  
BRINGING YOU THE FUTURE... NOW

**RATNAGIRI IMPEX PVT., LTD.,**

Annapurna House, #1 / 1G, 7th Cross, New  
Guddadahalli

Mysore Road, Bangalore - 560 026

Missed Call : 7393 938 938

Email: [ask@agrimart.in](mailto:ask@agrimart.in)