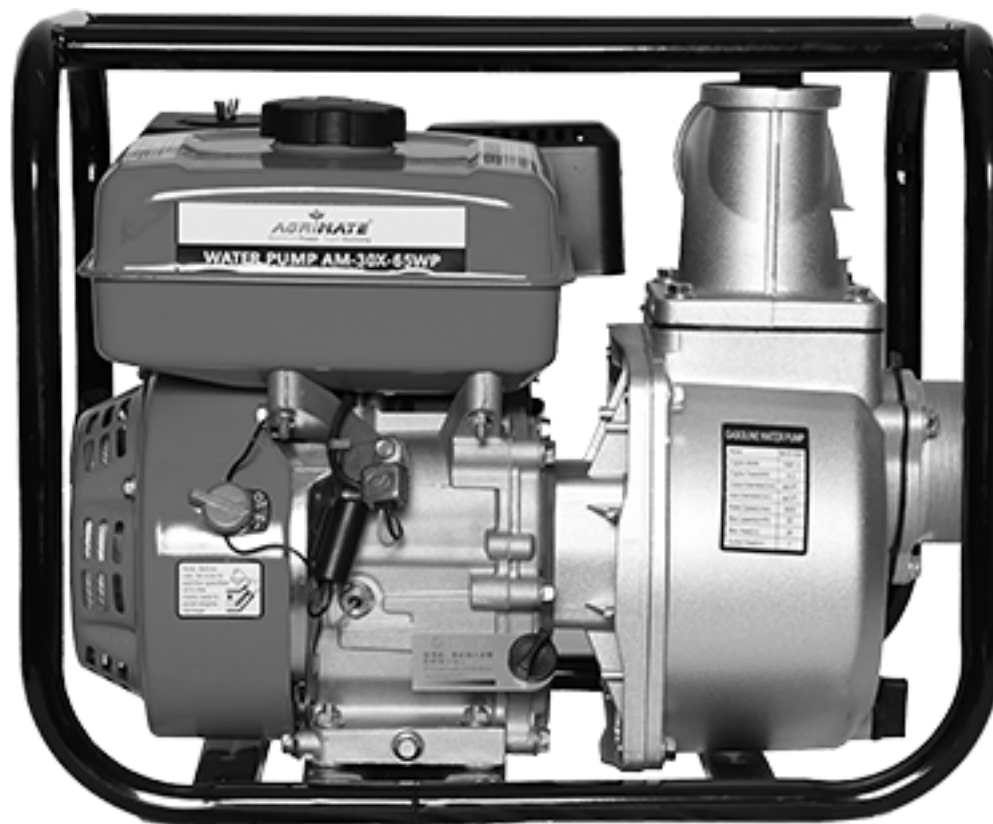


AGRIMATE GASOLINE WATER PUMP

AM-WP-20FX



AM-WP-30FX



DISCLAIMER : DUE TO CONTANT UPGRADATION FEATURES & SPECIFICATIONS ARE SELECT TO CHANGE WITHOUT NOTICE

BEFORE OPERATING THIS MACHINE PLEASE READ THIS INSTRUCTIONS MANUAL CAREFULLY

INTRODUCTION

Thank you for choosing the Agrimate Product , You are the proud owner of high technology & durable machine. trust that our Franchisee/Dealer installed the product and explained you about the usage & service instructions. Please visit our authorised dealer for your future requirement of our other equipments., genuine spares, accessories & service. Service coupons are attached with this manual & you can avail free service.

About Ratnagiri

We Import & market of high quality of agriculture wide range of equipments which we are selling through our authorised franchisee or dealer network. we are in this feild from past 20years serving the former community. For further details you may visit our website : www.agrimart.in.

TECHNICAL SPECIFICATIONS

Model	AM-WP-20FX	AM-WP-30FX
Engine	168F-2	168F-2
Engine Type	Gasoline Engine	Gasoline Engine
Power	4.8KW	4.8KW
Pump outlet Dia	2"	3"
RPM	3600	3600
MAX. DISCHARGE	35Mtr	60mtr
MAX. HEAD	30(m3/H)	30(m3/H)
SUCTION	7 mtr	7(M)

Preparation before use

1. Choose a flat place to install the gasoline engine firmly.
2. Connect the inlet and outlet pipes.
3. Check whether the bottom valve is leaking.
4. Check the oil and fuel level.
5. Check whether the air filter element is clean.
6. Check whether the water pump is filled with water and whether the exhaust is clean and thorough.

Safety matters

1. Do not use indoors.
2. Keep away from flammable substances.
3. Keep away from fireworks by more than 1 meter (3 feet).
4. When refueling:

Shut off the engine!

No smoking! Do not spill oil

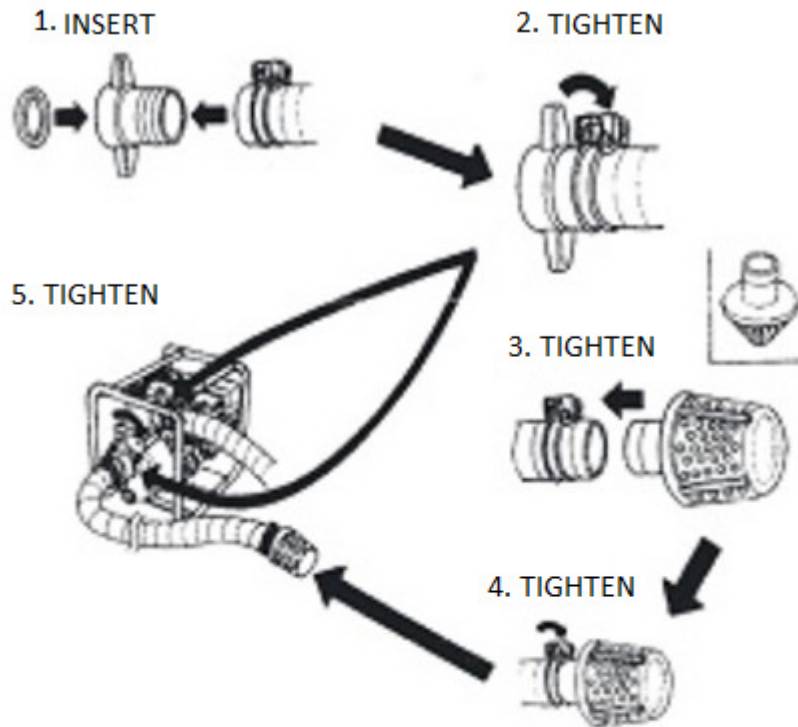
1. Connect the water pipes

1.1 Connect the water inlet pipe: the water inlet pipe must be continuous, non-foldable structure, the length of the water inlet pipe should not be too long, and the length of the self-priming time is proportional to the length of the water inlet pipe.

1.2 Connect the water outlet pipe: use the output water pipe with the same diameter, the small diameter long pipe increases the flow resistance and reduces the output power of the pump.

Precautions:

1. Before pumping water, install the filter screen at the end of the water inlet pipe. The filter screen can filter out the sundries in the water, so as not to cause blockage and damage the impeller.
2. Tighten the pipe joints and connecting hoop to avoid air leakage and reduce energy absorption. Looseness of the inlet pipe will reduce the performance of the pump.



Operation steps

1. Open the fuel valve.
2. Close the choke door.
3. Turn the engine switch to the ON position.
4. Slowly move the throttle lever to one-third of the way from the bottom end.
5. Gently pull up the starter handle until you feel resistance, then pull up quickly.
6. After the engine is warmed up, gradually open the choke.
7. Set the throttle valve at the predetermined speed.

ADD BOOT WATER

UNSCREW THE STOPPER



ADD WATER



TIGHTEN THE STOPPER





Open the fuel valve to the "ON" position



Throttle to 1/2



Turn the choke to the "CLOSE" position.



The engine switch is in the "ON" position.



Gently pull on the starter cord handle and feel resistance.



Move the choke to the "ON" position



open the throttle. turn off the engine



close the throttle.

Move the choke to the "ON" position & Then pull it hard (note: the handle should be slowly returned to the handle).



Put the engine switch in the "OFF" position.

Maintenance

1. Change the oil

When using for the first time, change the oil for the first time after the first month or after 20 hours of use, and then every six months or after 100 hours of use.

2. Maintenance of air filter

Clean the filter element with a non-flammable or high flash point solution and dry thoroughly; then dip the filter element in clean oil, squeeze out excess oil, and reinstall.

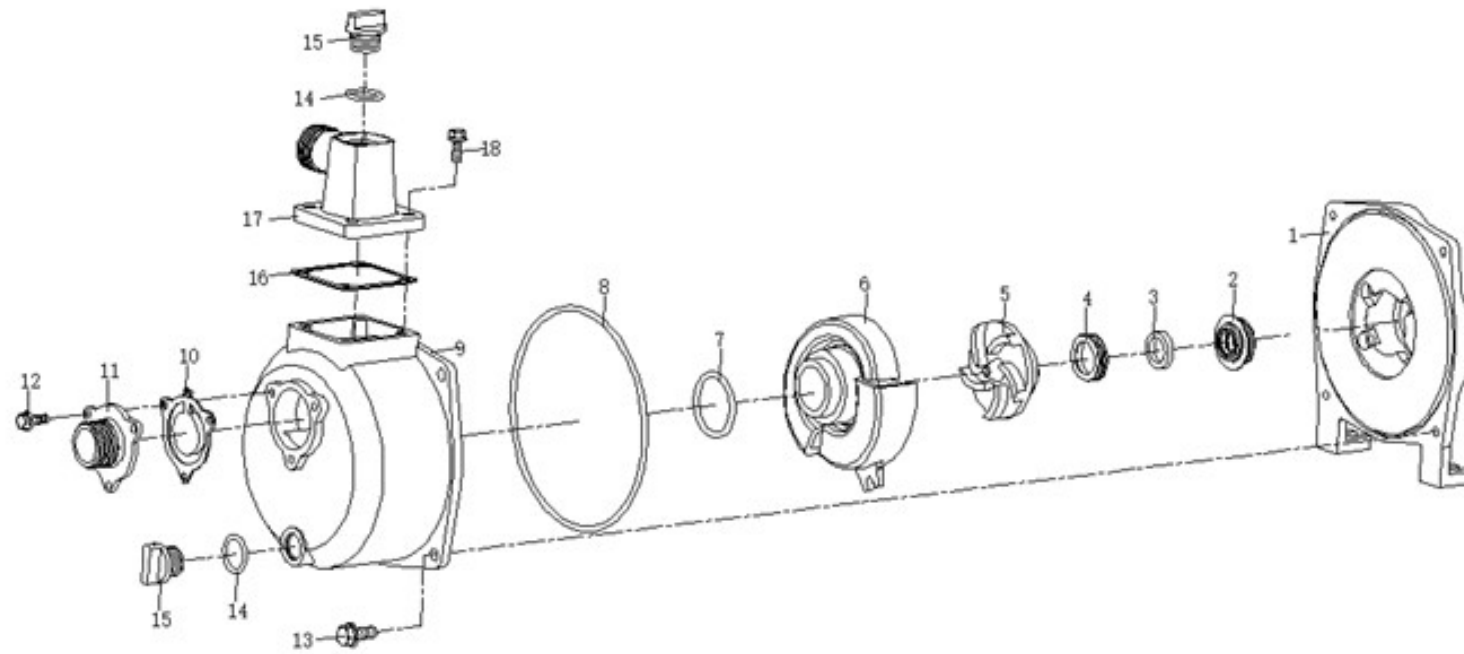
3. Spark plug maintenance

Visually inspect the spark plug for obvious wear or cracks in the insulating ring. If there is a problem, replace the spark plug with a new one. Measure the spark plug gap with a plug gauge, the gap is: 0.70-0.80mm. If it does not meet the requirements, the electrode needs to be adjusted to correct the gap and remove the carbon deposits.

4. Storage

If the gasoline engine water pump is not used for a long time, when it is stopped for the last time, the carburetor inlet valve should be closed first, so that the gasoline engine water pump will automatically turn off (if it is not used for a long time, the gasoline in the carburetor will damage the carburetor). Pour clean water from the inlet pipe to clean the impeller chamber until the sediment is removed. Finally, discharge the remaining fuel in the fuel tank and put it in a special container for proper storage. The whole machine should be stored in a cool, ventilated and dry place.

PUMP DIAGRAM OF AM20X & AM-30X



SPARE PART LIST OF AM-20FX WATER PUMP

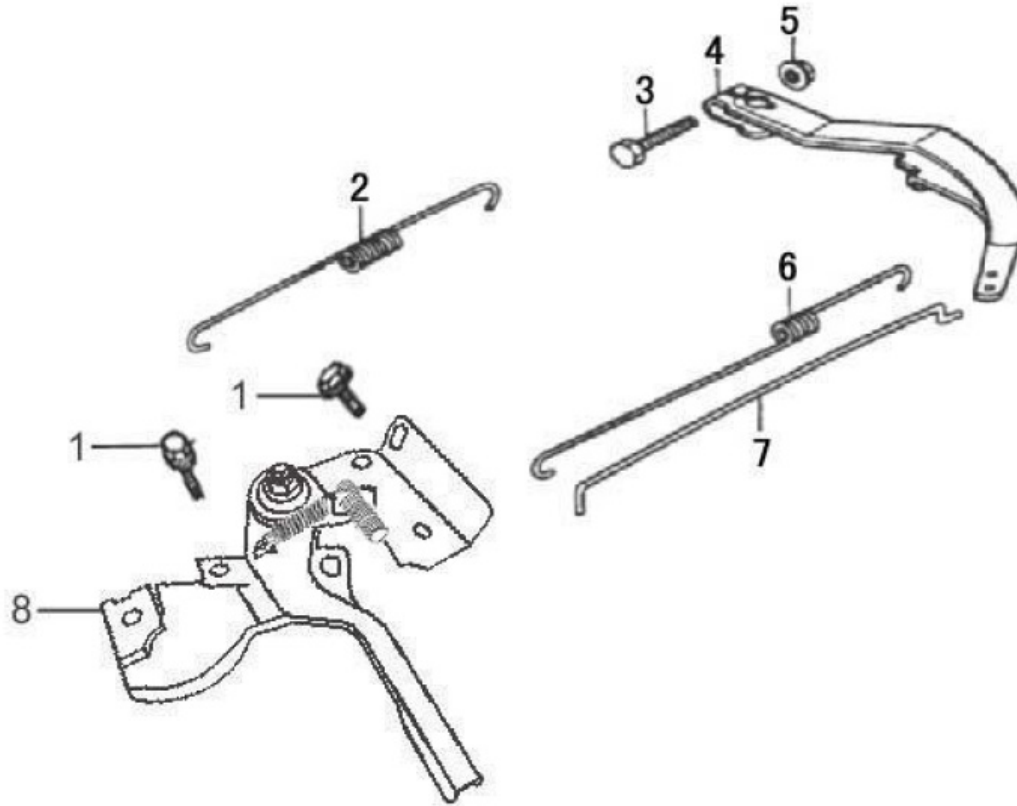
SL NO	PART NO	DESCRIPTION	SL NO	PART NO	DESCRIPTION
1	AM-WP-20FX-P01	PUMP BONNET	10	AM-WP-20FX-P10	GASKET
2	AM-WP-20FX-P02	PACKING SEAL	11	AM-WP-20FX-P11	WATER
3	AM-WP-20FX-P03	CERAMIC RING	12	AM-WP-20FX-P12	FLANGE SCREW
4	AM-WP-20FX-P04	RUBBER SEAL	13	AM-WP-20FX-P13	FLANGE SCREW
5	AM-WP-20FX-P05	IMPELLER	14	AM-WP-20FX-P14	O-RING
6	AM-WP-20FX-P06	VOLUTE	15	AM-WP-20FX-P15	KNOB
7	AM-WP-20FX-P07	RO-RING	16	AM-WP-20FX-P16	BACK UP PLATE
8	AM-WP-20FX-P08	O-RING	17	AM-WP-20FX-P17	SEND OUT WATER
9	AM-WP-20FX-P09	PUMP BODY	18	AM-WP-20FX-P18	SFLANGE SCREW

SPARE PART LIST OF AM-30FX WATER PUMP

SL NO	PART NO	DESCRIPTION	SL NO	PART NO	DESCRIPTION
1	AM-WP-30FX-P01	PUMP BONNET	10	AM-WP-30FX-P10	GASKET
2	AM-WP-30FX-P02	PACKING SEAL	11	AM-WP-30FX-P11	WATER
3	AM-WP-30FX-P03	CERAMIC RING	12	AM-WP-30FX-P12	FLANGE SCREW
4	AM-WP-30FX-P04	RUBBER SEAL	13	AM-WP-30FX-P13	FLANGE SCREW
5	AM-WP-30FX-P05	IMPELLER	14	AM-WP-30FX-P14	O-RING
6	AM-WP-30FX-P06	VOLUTE	15	AM-WP-30FX-P15	KNOB
7	AM-WP-30FX-P07	RO-RING	16	AM-WP-30FX-P16	BACK UP PLATE
8	AM-WP-30FX-P08	O-RING	17	AM-WP-30FX-P17	SEND OUT WATER
9	AM-WP-30FX-P09	PUMP BODY	18	AM-WP-30FX-P18	SFLANGE SCREW

ENGINE SPARE PARTS DIAGRAM & PART LIST OF AM-20FX & 30FX WATER PUMP

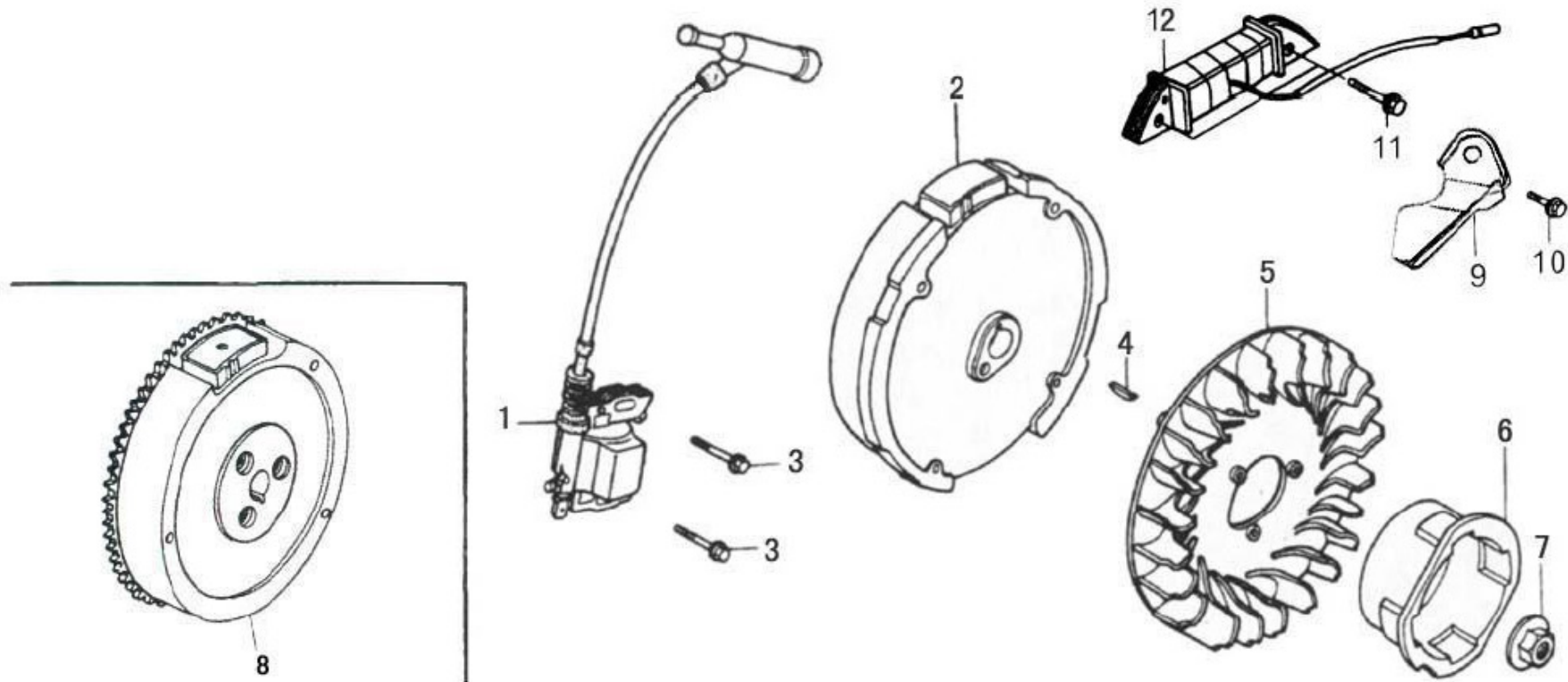
CONTROL- A



SL NO.	PART NO.	DESCRIPTION
1	AM-168FE-A01	Bolt Flange
2	AM-168FE-A02	Governor Spring
3	AM-168FE-A03	Bolt Flange
4	AM-168FE-A04	Arm Governor
5	AM-168FE-A05	Nut Flange
6	AM-168FE-A06	Throttle Return Spring
7	AM-168FE-A07	Governor Rod
8	AM-168FE-A08	Control. Assy

ENGINE SPARE PARTS DIAGRAM & PART LIST OF AM-20FX & 30FX WATER PUMP

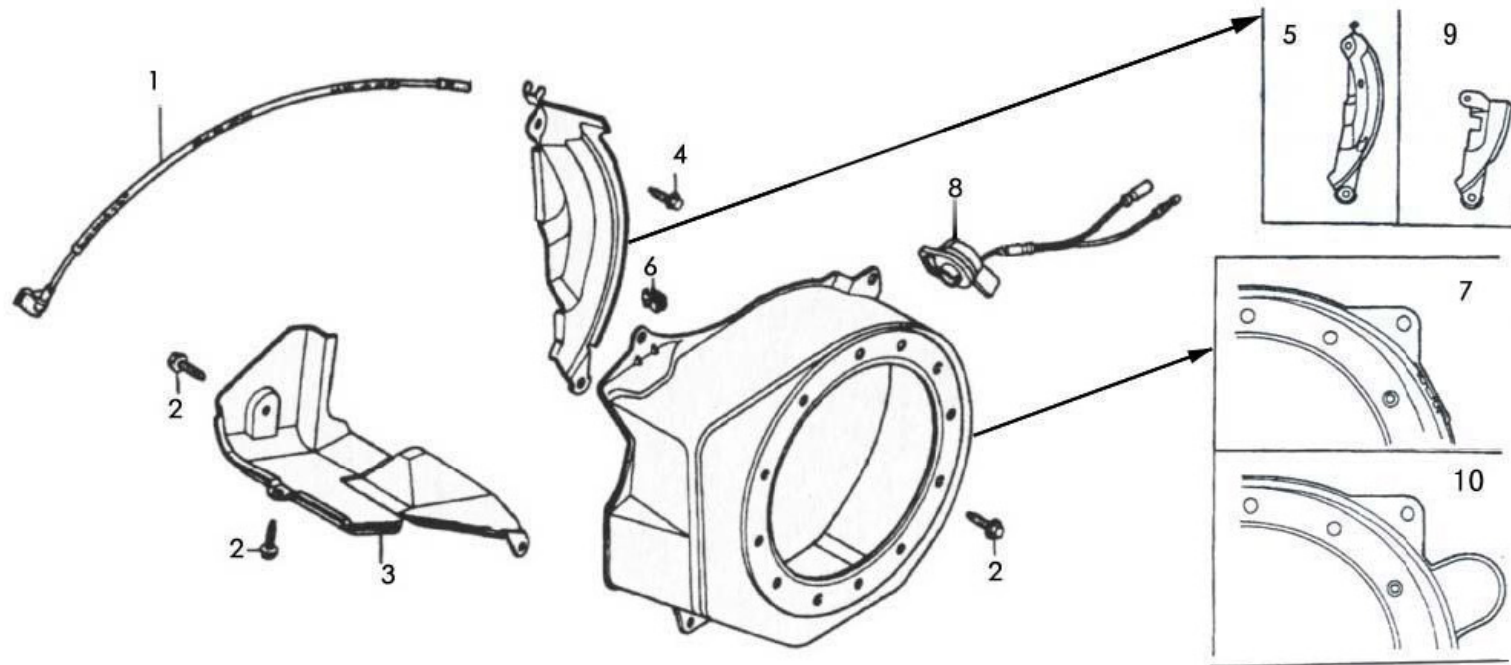
FLYWHEEL-B



SL NO	PART NO	DESCRIPTION	SL NO	PART NO	DESCRIPTION
1	AM-168FE-B01	Ignition Coil Assy	7	AM-168FE-B07	Special Nut
2	AM-168FE-B02	Flywheel Comp	8	AM-168FE-B08	Flywheel Comp
3	AM-168FE-B03	Flange Bolt	9	AM-168FE-B09	Clamper Cord
4	AM-168FE-B04	Key Special Woodruff	10	AM-168FE-B10	Flange Bolt
5	AM-168FE-B05	Fan Cooling	11	AM-168FE-B11	Flange Bolt
6	AM-168FE-B06	Starter Pulley	12	AM-168FE-B12	Charge Coil Assy

ENGINE SPARE PARTS DIAGRAM & PART LIST OF AM-20FX & 30FX WATER PUMP

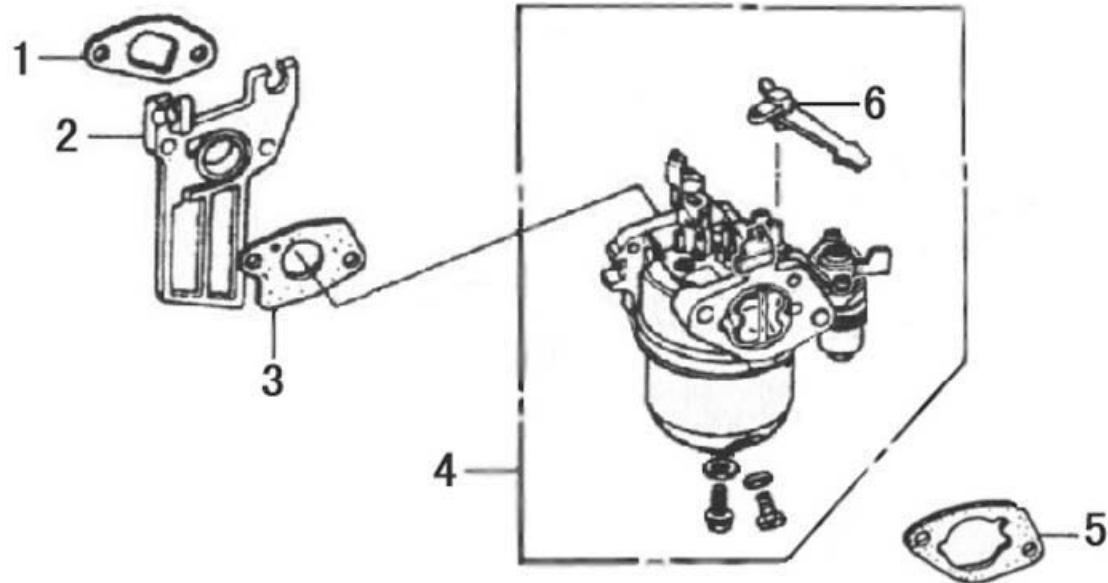
FAN COVER - C



SL NO	PART NO	DESCRIPTION	SL NO	PART NO	DESCRIPTION
1	AM-168FE-C01	Cord Stop Switch	6	AM-168FE-C06	Clamber Cord
2	AM-168FE-C02	Flange Bolt	7	AM-168FE-C07	Fan Cover Comp
3	AM-168FE-C03	Fairing	8	AM-168FE-C08	Engine Stop Switch Assy
4	AM-168FE-C04	Flange Bolt	9	AM-168FE-C09	Lower Fairing
5	AM-168FE-C05	Lower Fairing	10	AM-168FE-C10	Fairing

ENGINE SPARE PARTS DIAGRAM & PART LIST OF AM-20FX & 30FX WATER PUMP

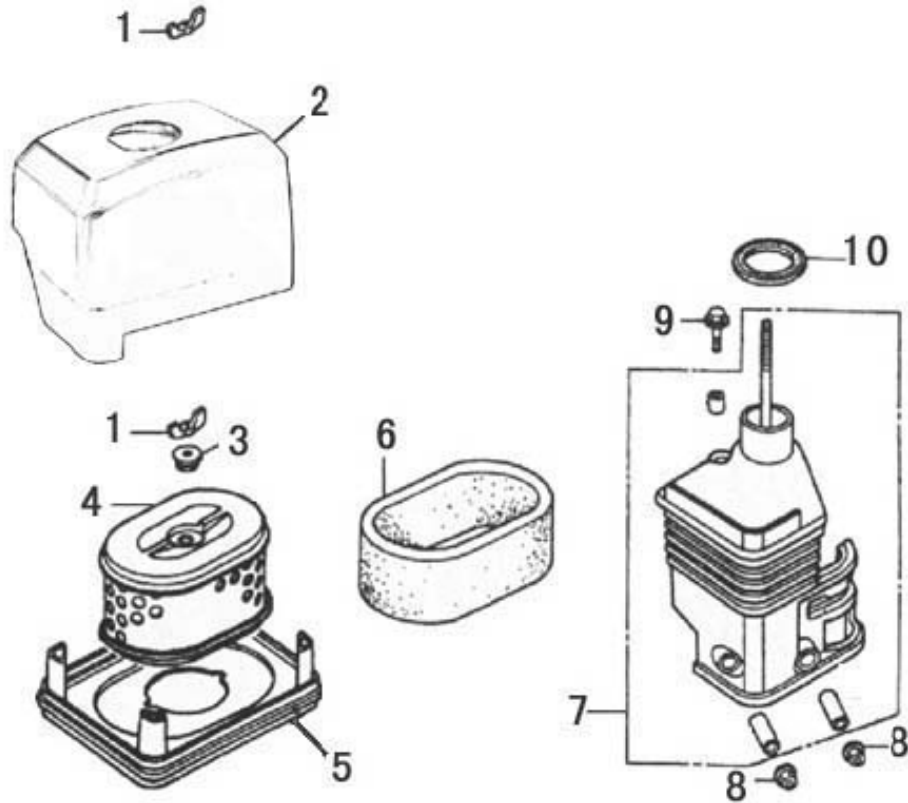
CABURATOR-D



SL NO	PART NO	DESCRIPTION
1	AM-168FE-D01	Packing Carburator
2	AM-168FE-D02	Packing Insulator
3	AM-168FE-D03	Packing Carburator
4	AM-168FE-D04	Carburator Assy.
5	AM-168FE-D05	Packing, Air Cleaner
6	AM-168FE-D06	Choke Lever Comp.

ENGINE SPARE PARTS DIAGRAM & PART LIST OF AM-20FX & 30FX WATER PUMP

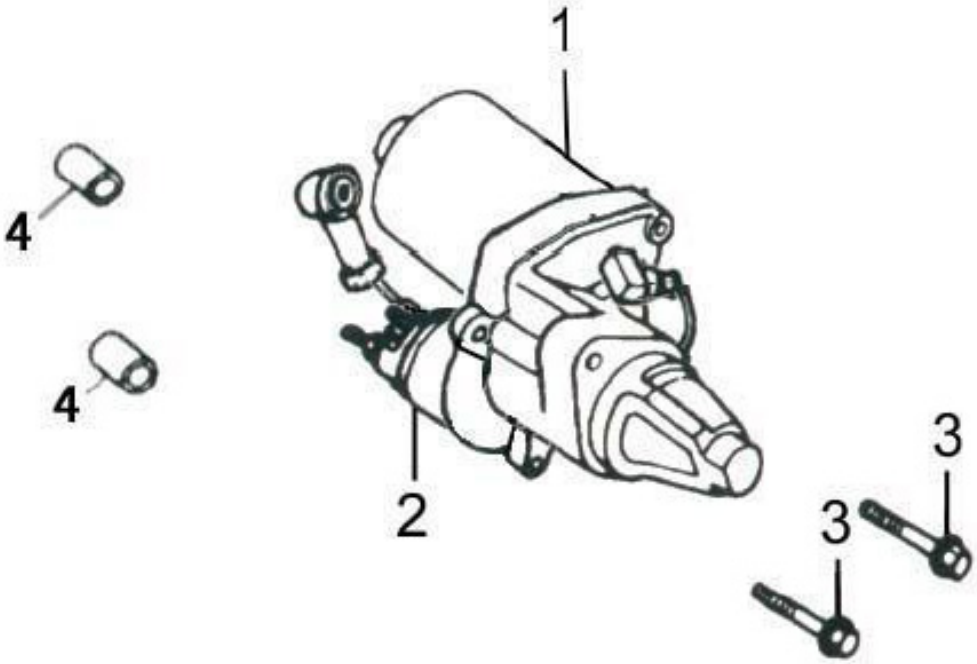
AIR CLEANER-E



SL NO	PART NO	DESCRIPTION
1	AM-168FE-E01	Nut Tool Box Setting
2	AM-168FE-E02	Air Cleaner Cover
3	AM-168FE-E03	Air Cleaner Grommet Seal
4	AM-168FE-E04	Air Cleaner Principal Part
5	AM-168FE-E05	Aircleaner Seal
6	AM-168FE-E06	Outer Filter
7	AM-168FE-E07	Air Cleaner Elbow Comp
8	AM-168FE-E08	Flange Nut
9	AM-168FE-E09	Flange Bolt
10	AM-168FE-E10	Packing Elbow

ENGINE SPARE PARTS DIAGRAM & PART LIST OF AM-20FX & 30FX WATER PUMP

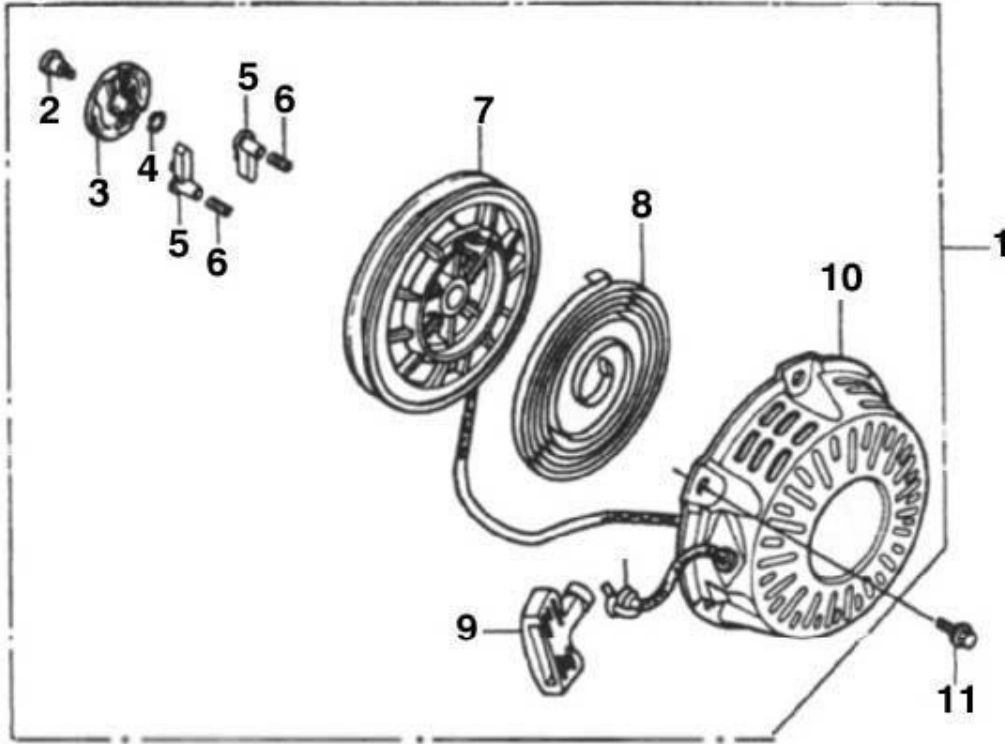
STARTER MOTOR SYSTEM ASSY-F



SL NO	PART NO	DESCRIPTION
1	AM-168FE-F01	Motor Starter
2	AM-168FE-F02	Contact Assy
3	AM-168FE-F03	Bolt Assy
4	AM-168FE-F04	Pin

ENGINE SPARE PARTS DIAGRAM & PART LIST OF AM-20FX & 30FX WATER PUMP

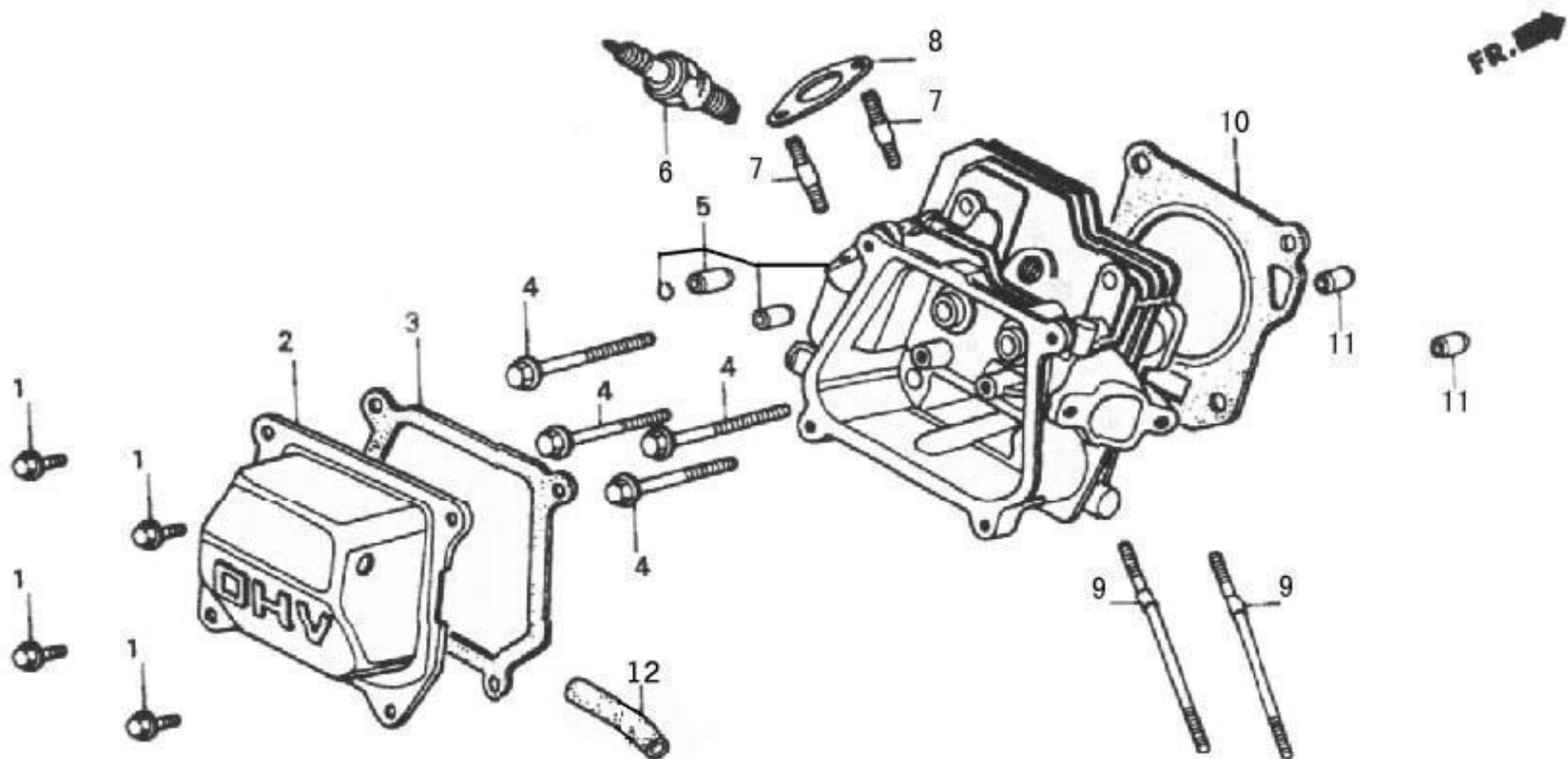
STARTER SUBASSEMBLY-G



SL NO	PART NO	DESCRIPTION
1	AM-168FE-G01	Starter Assy
2	AM-168FE-G02	Screw Setting
3	AM-168FE-G03	Ratchet Guide
4	AM-168FE-G04	Spring Friction
5	AM-168FE-G05	Ratchet Starter
6	AM-168FE-G06	Spring Return
7	AM-168FE-G07	Recoil Starter Reel
8	AM-168FE-G08	Recoil Starter Spring
9	AM-168FE-G09	Recoil Starter Knob
10	AM-168FE-G10	Recoil Starter Case Comp
11	AM-168FE-G11	Flange Bolt

ENGINE SPARE PARTS DIAGRAM & PART LIST OF AM-20FX & 30FX WATER PUMP

CYLINDER HEAD-H

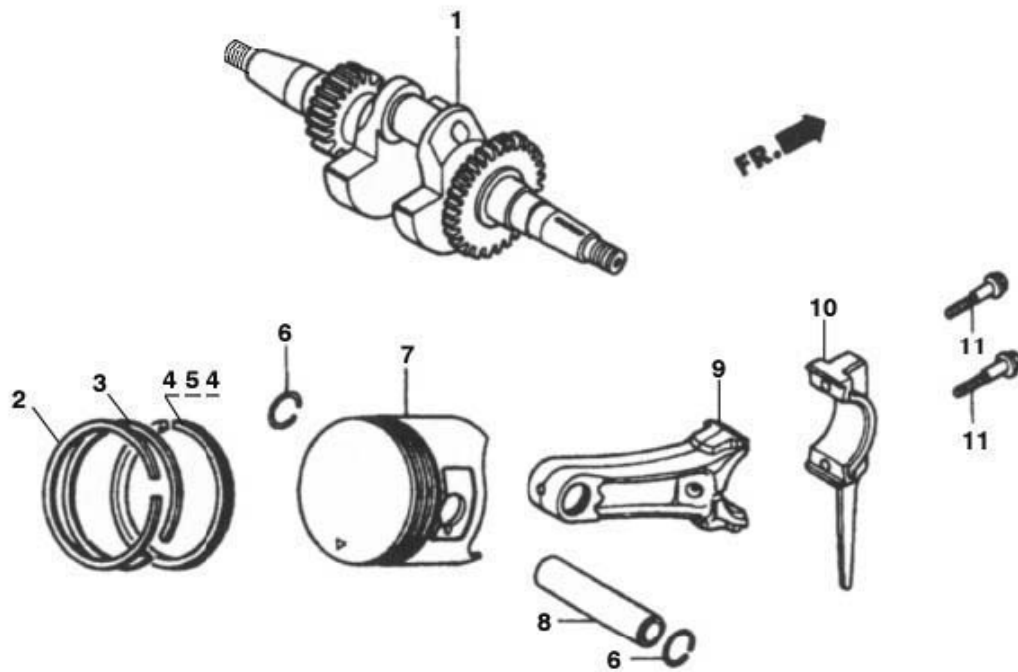


ENGINE SPARE PARTS DIAGRAM & PART LIST OF AM-20FX & 30FX WATER PUMP

SL NO	PART NO	DESCRIPTION	SL NO	PART NO	DESCRIPTION
1	AM-168FE-H01	Flange Bolt	7	AM-168FE-H07	Exhaust Stud Bolt
2	AM-168FE-H02	Head Cover Comp	8	AM-168FE-H08	Muffler Gasket
3	AM-168FE-H03	Packing Head Cover	9	AM-168FE-H09	Intake Stud Bolt
4	AM-168FE-H04	Flange Bolt	10	AM-168FE-H10	Cylinderhead Gasket
5	AM-168FE-H05	Cylinder Head Comp	11	AM-168FE-H11	Pin Dowel
6	AM-168FE-H06	Plug Spark	12	AM-168FE-H12	Waste Pipe

ENGINE SPARE PARTS DIAGRAM & PART LIST OF AM-20FX & 30FX WATER PUMP

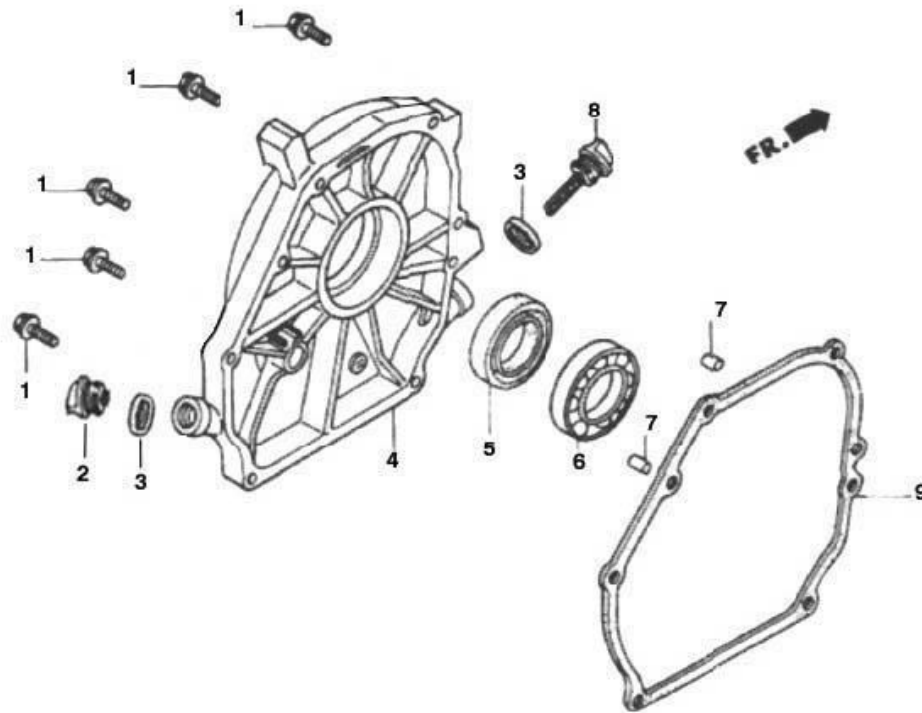
CRANKSHAFT PISTON-J



SL NO	PART NO	DESCRIPTION
1	AM-168FE-J01	Crankshaft Comp
2	AM-168FE-J02	Ring Set Piston A
3	AM-168FE-J03	Ring Set Piston B
4	AM-168FE-J04	Oil Ring Piston A
5	AM-168FE-J05	Oil Ring Piston B
6	AM-168FE-J06	Piston Pin Clip
7	AM-168FE-J07	Piston
8	AM-168FE-J08	Pin Piston
9	AM-168FE-J09	Connecting Rod
10	AM-168FE-J10	Connecting Cover
11	AM-168FE-J11	Bolt Connecting Rod

ENGINE SPARE PARTS DIAGRAM & PART LIST OF AM-20FX & 30FX WATER PUMP

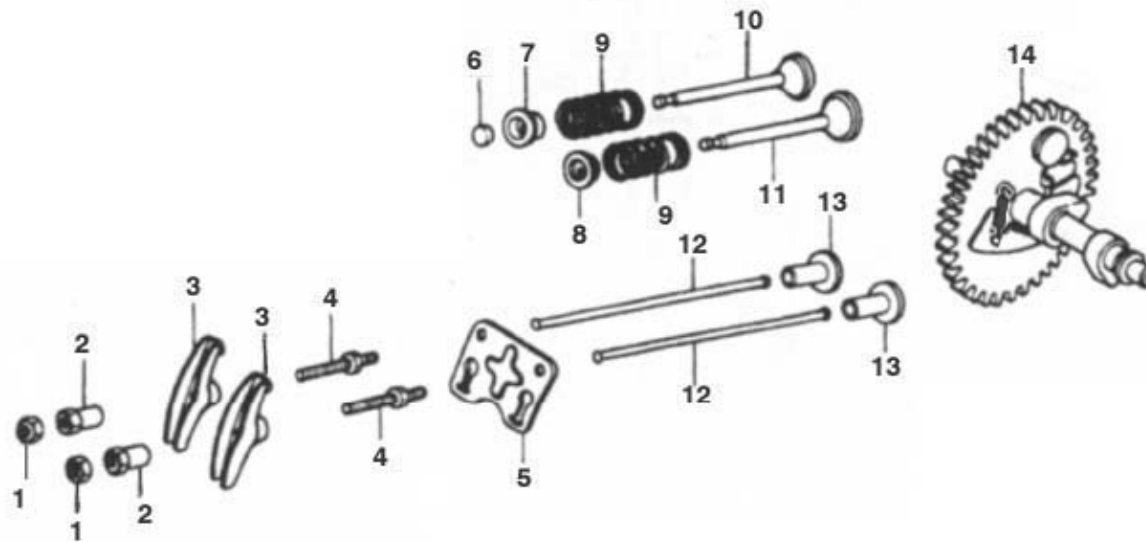
CRANK CASE COVER-K



SL NO	PART NO	DESCRIPTION
1	AM-168FE-K01	Flange Bolt
2	AM-168FE-K02	Oil Stick
3	AM-168FE-K03	Packing, Oil Filler Cap
4	AM-168FE-K04	Crank Case Cover
5	AM-168FE-K05	Oil Seal
6	AM-168FE-K06	Bearing, Radial Ball
7	AM-168FE-K07	Pin Dowel
8	AM-168FE-K08	Oil Stick
9	AM-168FE-K09	Packing Crank Case Cover

ENGINE SPARE PARTS DIAGRAM & PART LIST OF AM-20FX & 30FX WATER PUMP

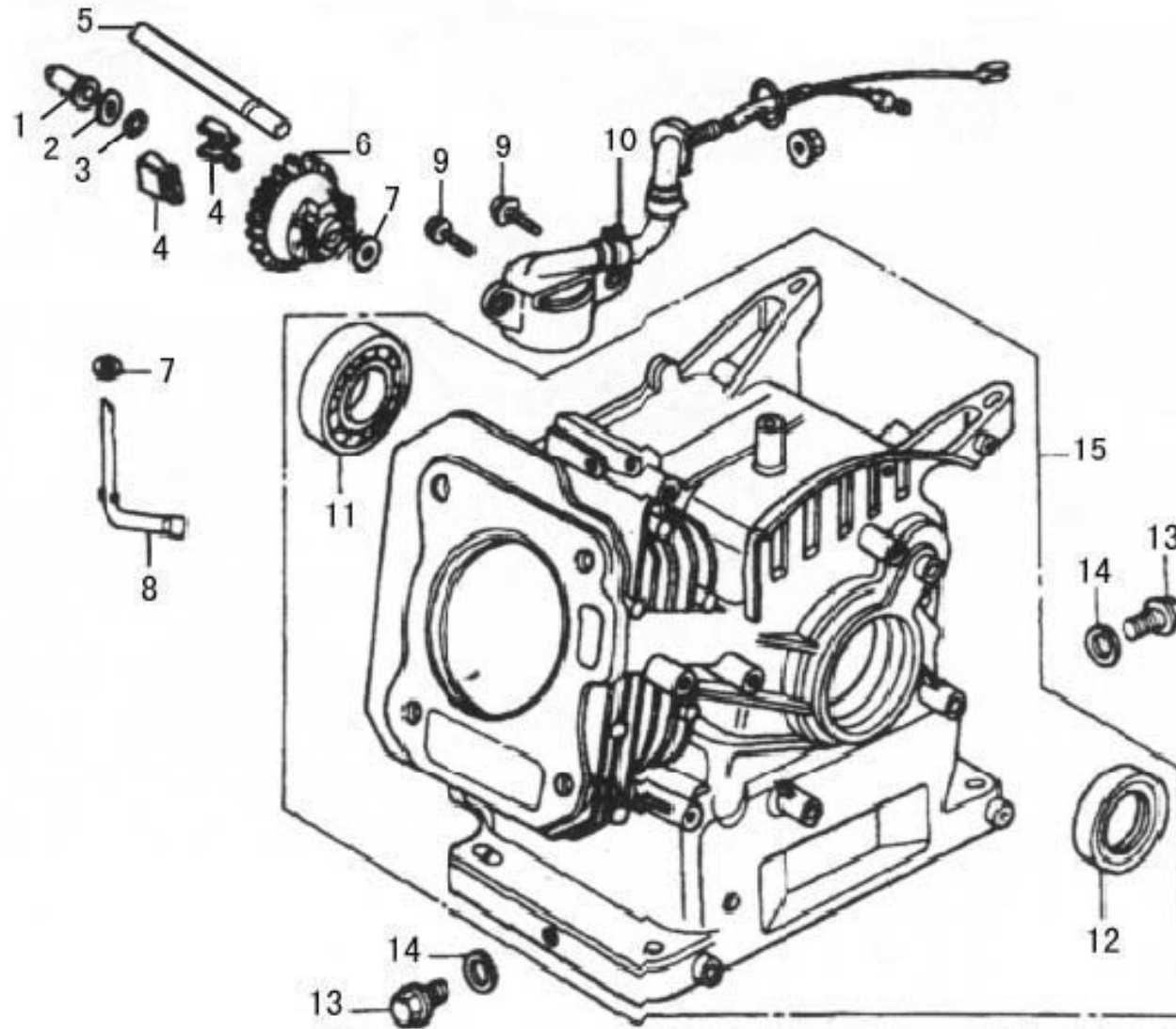
CAMSHAFT ARM VALVE -L



SL NO	PART NO	DESCRIPTION	SL NO	PART NO	DESCRIPTION
1	AM-168FE-L01	Valve Locking Nut	8	AM-168FE-L08	Retainer, In Valve Spring
2	AM-168FE-L02	Valve Adjusting Nut	9	AM-168FE-L09	Spring, Valve
3	AM-168FE-L03	Valve Rocker Arm	10	AM-168FE-L10	Valve Ex.
4	AM-168FE-L04	Valve Adjusting Bolt	11	AM-168FE-L11	Valve In
5	AM-168FE-L05	Push Rod Guide Plate	12	AM-168FE-L12	Rod Push
6	AM-168FE-L06	Valve Adjusting Cap	13	AM-168FE-L13	Lifter
7	AM-168FE-L07	Retainer, Ex Valve Spring	14	AM-168FE-L14	Camshaft Assy

ENGINE SPARE PARTS DIAGRAM & PART LIST OF AM-20FX & 30FX WATER PUMP

CYLINDER BARREL-M

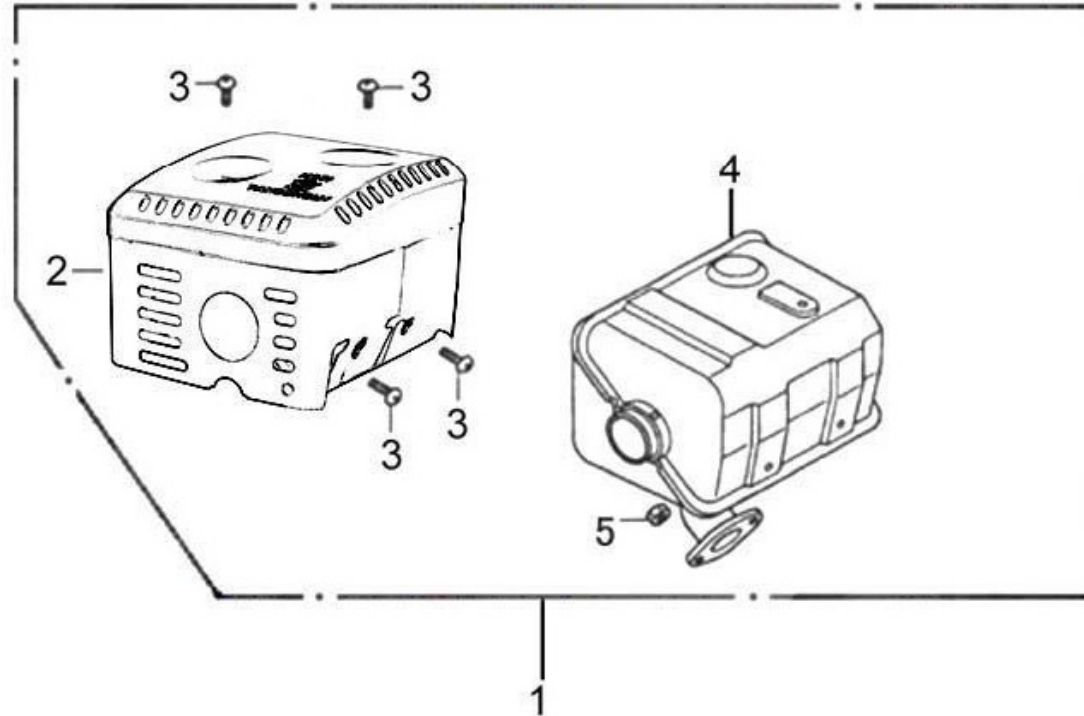


ENGINE SPARE PARTS DIAGRAM & PART LIST OF AM-20FX & 30FX WATER PUMP

SL NO	PART NO	DESCRIPTION	SL NO	PART NO	DESCRIPTION
1	AM-168FE-M01	Governor Slider	9	AM-168FE-M09	Bolt Flange
2	AM-168FE-M02	Washer Thrust	10	AM-168FE-M10	Oil Sensor
3	AM-168FE-M03	Governor Holder Clip	11	AM-168FE-M11	Bearing Radial Ball
4	AM-168FE-M04	Weight Governor	12	AM-168FE-M12	Oil Seal
5	AM-168FE-M05	Shaft Governor Centre	13	AM-168FE-M13	Drain Plug Bolt
6	AM-168FE-M06	Nylon Gear Governor	14	AM-168FE-M14	Washer Drain Plug
7	AM-168FE-M07	Washer Holder	15	AM-168FE-M15	Camshaft Assy
8	AM-168FE-M08	Shaft Governor Arm			

ENGINE SPARE PARTS DIAGRAM & PART LIST OF AM-20FX & 30FX WATER PUMP

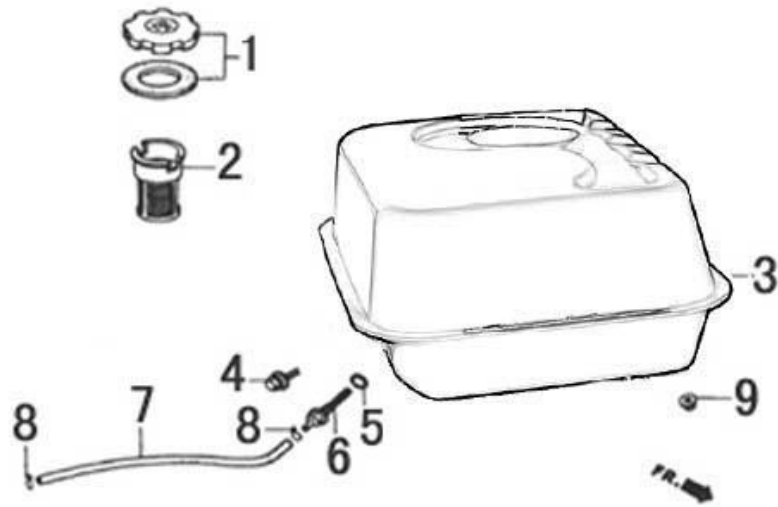
MUFFLER -N



SL NO	PART NO	DESCRIPTION
1	AM-168FE-N01	Muffler Assy
2	AM-168FE-N02	Protector Muffler
3	AM-168FE-N03	Tapping Screw
4	AM-168FE-N04	Muffler Comp
5	AM-168FE-N05	Nut Exhaust Pipe

ENGINE SPARE PARTS DIAGRAM & PART LIST OF AM-20FX & 30FX WATER PUMP






FUEL TANK-P



SL NO	PART NO	DESCRIPTION
1	AM-168FE-P01	Fuel Filler Cap Comp
2	AM-168FE-P02	Fuel Filter
3	AM-168FE-P03	Fuel Tank Comp
4	AM-168FE-P04	Flange Bolt
5	AM-168FE-P05	O-Ring
6	AM-168FE-P06	Joint Fuel Tank
7	AM-168FE-P07	Fuel Tube
8	AM-168FE-P08	Clip Tube
9	AM-168FE-P09	Nut Flange






WARRANTY CARD

CUSTOMER COPY

DATE _____	DATE OF DELIVERY _____	DEALERS OFFICIAL SEAL	DEALERS SIGN _____
PURCHASERS NAME & ADDRESS _____ _____	 CUSTOMER SIGN		
PRODUCT NAME	PRODUCT SERIAL NO.	INVOICE/DN NO.	
			






I/Will accept the terms and conditions of warranty as in the warranty card

DEALERS COPY

DATE _____	DATE OF DELIVERY _____	DEALERS OFFICIAL SEAL	DEALERS SIGN _____
PURCHASERS NAME & ADDRESS _____ _____	 CUSTOMER SIGN		
PRODUCT NAME	PRODUCT SERIAL NO.	INVOICE/DN NO.	
			

I/Will accept the terms and conditions of warranty as in the warranty card

COMPANY COPY

DATE _____	DATE OF DELIVERY _____	DEALERS OFFICIAL SEAL	DEALERS SIGN _____
PURCHASERS NAME & ADDRESS _____ _____	 CUSTOMER SIGN		
PRODUCT NAME	PRODUCT SERIAL NO.	INVOICE/DN NO.	
			

I/Will accept the terms and conditions of warranty as in the warranty card

1. LIMITED WARRANTY PERIOD : For a period of six months from the date of Sale / delivery of the product which ever is earlier. 2. LIMITED WARRANTY OBLIGATION : Replacement of defective part(s) by authorized dealer are free of charges. If found defective by reasons of defective material / poor workmanship, parts will be replaced and there will be no value re-imburement. 3. TERMS & CONDITIONS : a. Claims under warranty will be accepted on submission of Warranty Card duly filled and stamped by authorized dealer together with the original purchase document. : b. Shipping / transportation / Incidental charges incurred in replacing defective parts under warranty shall be borne by the purchaser

WARRANTY null & void if

- (i) Lack of maintenance, (ii) Incorrect use of the machine or tampering, (iii) Use of non-genuine spare parts, (iv) Usage of acids, solvents, or any flammable materials, (v) Non-usage of filter water / clear water / soft water & using water above 40°C temperature, (vi) While using the pressure washers to draw water which is contaminated with dust & solvents (eg. paint thinners, gasoline, oil, etc.), (vii) Repair done by unauthorized service people, (viii) Those parts subject to wear & tear due to normal operations and plastic parts, rubber items etc, (ix) Loose connections, faulty electrical fixtures & fluctuations in power supply.
- 4. Should any failure occur during or after the warranty period, customer does not have the right to interrupt payment / price discount.
- 5. Incidental or consequential damages like inconvenience commercial loss, loss of tie, mental agony etc.
- 6. Loss of any nature due to operation or non-operation is not covered under warranty.
- 7. All free service are at Dealer's service point only.
- 8. Warranty ceases if service is not done periodically.
- 9. The attached card should be completed and returned to Ratnagiri Impex Pvt. Ltd. for registration immediately after sale / delivery.
- 10. The warranty is void unless you register the warranty card with Ratnagiri Impex Pvt. Ltd.
- 11. The decision of Ratnagiri Impex Pvt. Ltd., in settling the warranty is final in all respects.
- 12. All disputes are subject to Bangalore Courts Jurisdiction

1. LIMITED WARRANTY PERIOD : For a period of six months from the date of Sale / delivery of the product which ever is earlier. 2. LIMITED WARRANTY OBLIGATION : Replacement of defective part(s) by authorized dealer are free of charges. If found defective by reasons of defective material / poor workmanship, parts will be replaced and there will be no value re-imburement. 3. TERMS & CONDITIONS : a. Claims under warranty will be accepted on submission of Warranty Card duly filled and stamped by authorized dealer together with the original purchase document. : b. Shipping / transportation / Incidental charges incurred in replacing defective parts under warranty shall be borne by the purchaser.

WARRANTY null & void if

- (i) Lack of maintenance, (ii) Incorrect use of the machine or tampering, (iii) Use of non-genuine spare parts, (iv) Usage of acids, solvents, or any flammable materials, (v) Non-usage of filter water / clear water / soft water & using water above 40°C temperature, (vi) While using the pressure washers to draw water which is contaminated with dust & solvents (eg. paint thinners, gasoline, oil, etc.), (vii) Repair done by unauthorized service people, (viii) Those parts subject to wear & tear due to normal operations and plastic parts, rubber items etc, (ix) Loose connections, faulty electrical fixtures & fluctuations in power supply.
- 4. Should any failure occur during or after the warranty period, customer does not have the right to interrupt payment / price discount.
- 5. Incidental or consequential damages like inconvenience commercial loss, loss of tie, mental agony etc.
- 6. Loss of any nature due to operation or non-operation is not covered under warranty.
- 7. All free service are at Dealer's service point only.
- 8. Warranty ceases if service is not done periodically.
- 9. The attached card should be completed and returned to Ratnagiri Impex Pvt. Ltd. for registration immediately after sale / delivery.
- 10. The warranty is void unless you register the warranty card with Ratnagiri Impex Pvt. Ltd.
- 11. The decision of Ratnagiri Impex Pvt. Ltd., in settling the warranty is final in all respects.
- 12. All disputes are subject to Bangalore Courts Jurisdiction

1. LIMITED WARRANTY PERIOD : For a period of six months from the date of Sale / delivery of the product which ever is earlier. 2. LIMITED WARRANTY OBLIGATION : Replacement of defective part(s) by authorized dealer are free of charges. If found defective by reasons of defective material / poor workmanship, parts will be replaced and there will be no value re-imburement. 3. TERMS & CONDITIONS : a. Claims under warranty will be accepted on submission of Warranty Card duly filled and stamped by authorized dealer together with the original purchase document. : b. Shipping / transportation / Incidental charges incurred in replacing defective parts under warranty shall be borne by the purchaser.

WARRANTY null & void if

- (i) Lack of maintenance, (ii) Incorrect use of the machine or tampering, (iii) Use of non-genuine spare parts, (iv) Usage of acids, solvents, or any flammable materials, (v) Non-usage of filter water / clear water / soft water & using water above 40°C temperature, (vi) While using the pressure washers to draw water which is contaminated with dust & solvents (eg. paint thinners, gasoline, oil, etc.), (vii) Repair done by unauthorized service people, (viii) Those parts subject to wear & tear due to normal operations and plastic parts, rubber items etc, (ix) Loose connections, faulty electrical fixtures & fluctuations in power supply.
- 4. Should any failure occur during or after the warranty period, customer does not have the right to interrupt payment / price discount.
- 5. Incidental or consequential damages like inconvenience commercial loss, loss of tie, mental agony etc.
- 6. Loss of any nature due to operation or non-operation is not covered under warranty.
- 7. All free service are at Dealer's service point only.
- 8. Warranty ceases if service is not done periodically.
- 9. The attached card should be completed and returned to Ratnagiri Impex Pvt. Ltd. for registration immediately after sale / delivery.
- 10. The warranty is void unless you register the warranty card with Ratnagiri Impex Pvt. Ltd.
- 11. The decision of Ratnagiri Impex Pvt. Ltd., in settling the warranty is final in all respects.
- 12. All disputes are subject to Bangalore Courts Jurisdiction



FREE SERVICE COUPON (30DAYS/30HRS. WHICHEVER IS EARLIER)

MODEL

SERIAL NUMBER

PDI DATE

SERVICE NO.

PURCHASE BILL NO.

DATE

DEALERS OFFICE SEAL

- 1. Check and test the fuel mixture
- 3. Check , clean and adjust the spark plug
- 5. Check and sparken the cutting tools
- 7. Start and check the noise, vibration, loosen etc..

OPERATIONS

- 2. check and clean the air filter
- 4. Check and adjust the carburetor tuning
- 6. Product familirisation on usage
- 8. Routine maintenance and shortage.

FREE SERVICE COUPON (30DAYS/30HRS. WHICHEVER IS EARLIER)

MODEL

SERIAL NUMBER

PDI DATE

SERVICE NO.

PURCHASE BILL NO.

DATE

DEALERS OFFICE SEAL

- 1. Check and test the fuel mixture
- 3. Check , clean and adjust the spark plug
- 5. Check and sparken the cutting tools
- 7. Start and check the noise, vibration, loosen etc..

OPERATIONS

- 2. check and clean the air filter
- 4. Check and adjust the carburetor tuning
- 6. Product familirisation on usage
- 8. Routine maintenance and shortage.

FREE SERVICE COUPON (30DAYS/30HRS. WHICHEVER IS EARLIER)

MODEL

SERIAL NUMBER

PDI DATE

SERVICE NO.

PURCHASE BILL NO.

DATE

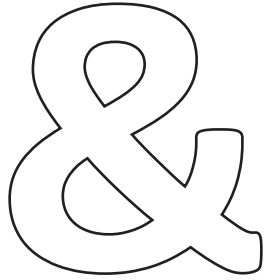
DEALERS OFFICE SEAL

- 1. Check and test the fuel mixture
- 3. Check , clean and adjust the spark plug
- 5. Check and sparken the cutting tools
- 7. Start and check the noise, vibration, loosen etc..

OPERATIONS

- 2. check and clean the air filter
- 4. Check and adjust the carburetor tuning
- 6. Product familirisation on usage
- 8. Routine maintenance and shortage.

DOS

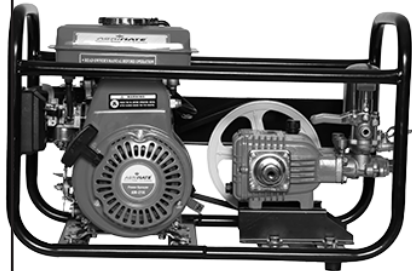
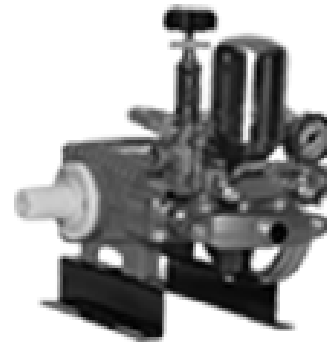


DONT'S

1. Always read the instruction manual supplied along with the equipments and understand the correct installation and operating procedures before attempting to use the equipments.
2. It is important to use the personal protection equipments such as head helmet with visor, ear defenders, goggles, safety gloves, cut resistant shoes, trousers and jackets while operating potentially dangerous machines
3. Avoid untrained persons using the equipments. Children must not be allowed to handle these equipments
4. Always use genuine spares and accessories in repairs and usage to derive maximum life of the equipments.
5. Always keep the equipments in good working condition to minimize loss of output as well as to reduce the pollution and save the environment
6. Do not use the machine within range of persons unless they wear protective clothing
7. Do not operate the machine when fatigued or under the influence of alcohol or drugs
8. When the machine is running, please maintain a constant water supply. Without water circulation will damage the sealing rings of the machine.
9. For more query kindly contact for our Service Center/Dealer/ franchise

Agrimate Army For Pest Control

ANY WHERE - ANY TIME - ANY CROP



Marketed by:
**ratnagiri
impex**
BRINGING YOU THE FUTURE... NOW

RATNAGIRI IMPEX PVT., LTD.,

Annapurna House, #1 / 1G, 7th Cross, New
Guddadahalli

Mysore Road, Bangalore - 560 026

Missed Call : 7393 938 938

Email: ask@agrimart.in