

TECHNICAL PARAMETERS

AMLS -522 POWER SPRAYER

RPM	500-900
FLOW(L/MIN)	10-15
WORKING PRESSURE(KGF/CM ²)	20-35
POWER (HP)	2-3
PISTON DIA (MM)	22
STROKE(MM)	16
A QUALITY PRODUCT - TAIWAN JOINT VENTURE	

AMLS -530 POWER SPRAYER

RPM	500-900
FLOW(L/MIN)	12-18
WORKING PRESSURE(KGF/CM ²)	20-35
POWER (HP)	3-5
PISTON DIA (MM)	30
STROKE(MM)	20
A QUALITY PRODUCT - TAIWAN JOINT VENTURE	

AMLS -518 POWER SPRAYER

RPM	500-900
FLOW(L/MIN)	6-10
WORKING PRESSURE(KGF/CM ²)	20-35
POWER (HP)	1-2
PISTON DIA (MM)	18
STROKE(MM)	16
A QUALITY PRODUCT - TAIWAN JOINT VENTURE	

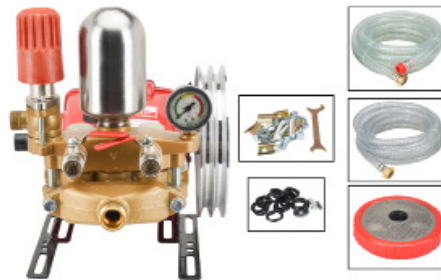
MAINTANANCE & SERVICE

1. Replace the oil after begin use for 40hours and then replace it one time using each 70hours.
2. Add grease one time each two hours during using
3. After each work finished, operate it with clean water for 2~3 hours.
4. For long term placement, wipe clean the sprayer machine and place it at the cool and dry place.

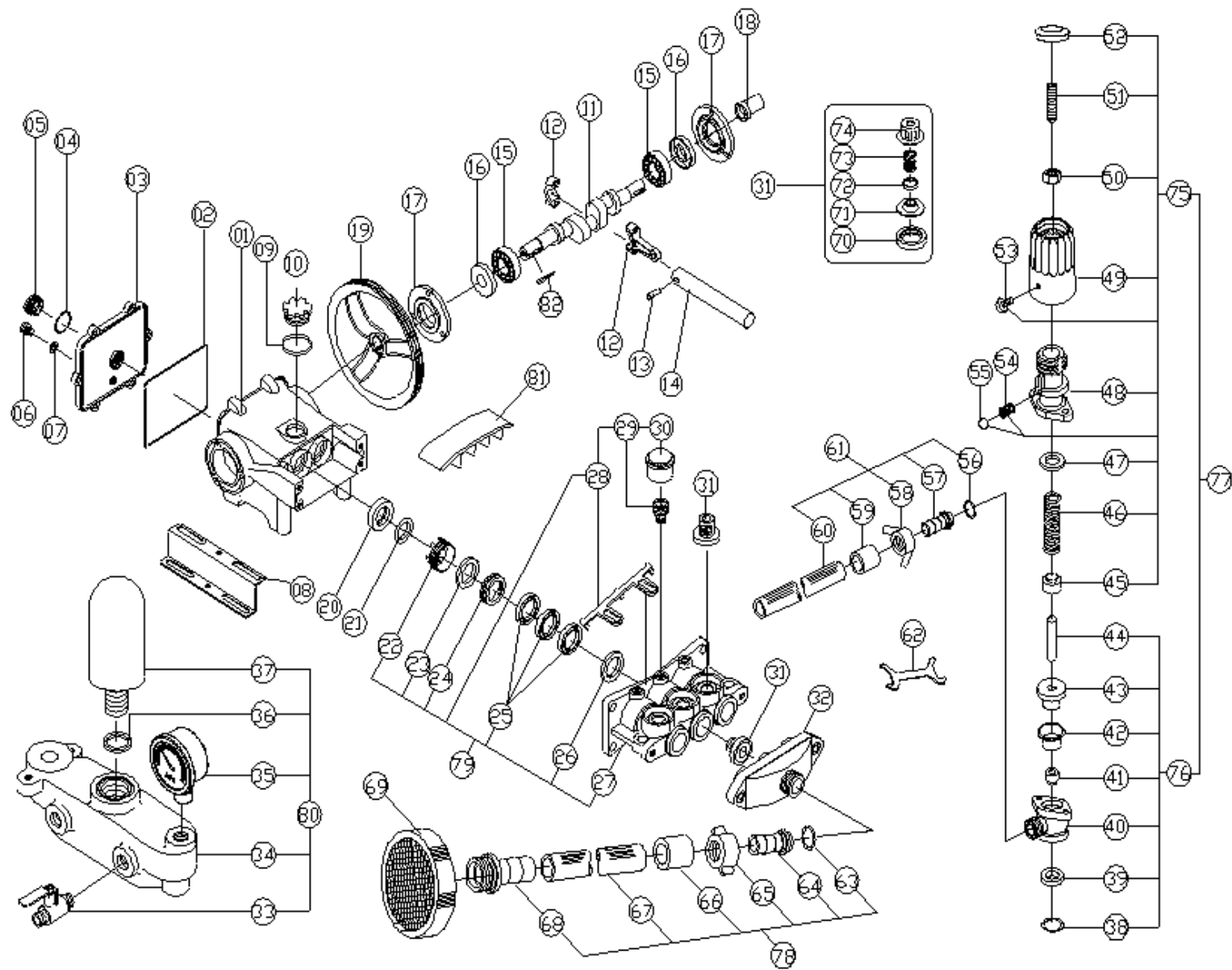
SAFETY NOTICES

1. Using this machine extra high pressure is prohoboted
2. The belt pulley should have safety preotctive device
3. Should wear such protective tools as breating mask while spraying toward personnel and working at the downwind position are prohibited.
4. Running withot water or lubricating oil is prohibited
5. Using such special working solutions as strong acid, strong alkali, etc. is prohibited, and should operate strictly according to the safety prompts of manufacturing plant in spraying.

ACCESSORIES



PART DIAGRAM OF AMLS-522 POWER SPRAYER



PART LIST OF AMLS-522 HTP POWER SPRAYER

SL NO	PART NO	DESCRIPTION	SL NO	PART NO	DESCRIPTION
1	AMLS-522-01	Crank Case	17	AMLS-522-17	Cover,Oil Seal
2	AMLS-522-02	Ring CrankCase	18	AMLS-522-18	Cover,Shaft
3	AMLS-522-03	Cover CrankCase	19	AMLS-522-19	Pully
4	AMLS-522-04	Oil Gauge Plug	20	AMLS-522-20	Oil Seal,Plunger
5	AMLS-522-05	O-Ring	21	AMLS-522-21	Seal,Stopping Water
6	AMLS-522-06	Oil Plug	22	AMLS-522-22	Grand
7	AMLS-522-07	Ring	23	AMLS-522-23	O-Ring
8	AMLS-522-08	Oil Plug	24	AMLS-522-24	Grease Ring
9	AMLS-522-09	Bed CrankCase	25	AMLS-522-25	V-Packing
10	AMLS-522-10	Plunger Cover	26	AMLS-522-26	V-Packing Seat
11	AMLS-522-11	Crank Shaft	27	AMLS-522-27	Cylinder
12	AMLS-522-12	Connecting Rod	28	AMLS-522-28	Packing Stable Plate
13	AMLS-522-13	Plunger Pin	29	AMLS-522-29	Grease Cup(seat)
14	AMLS-522-14	Plunger	30	AMLS-522-30	Grease Cup(head)
15	AMLS-522-15	Bearing	31	AMLS-522-31	Valve Assy
16	AMLS-522-16	crankshaft oil seal	32	AMLS-522-32	Suction Metal

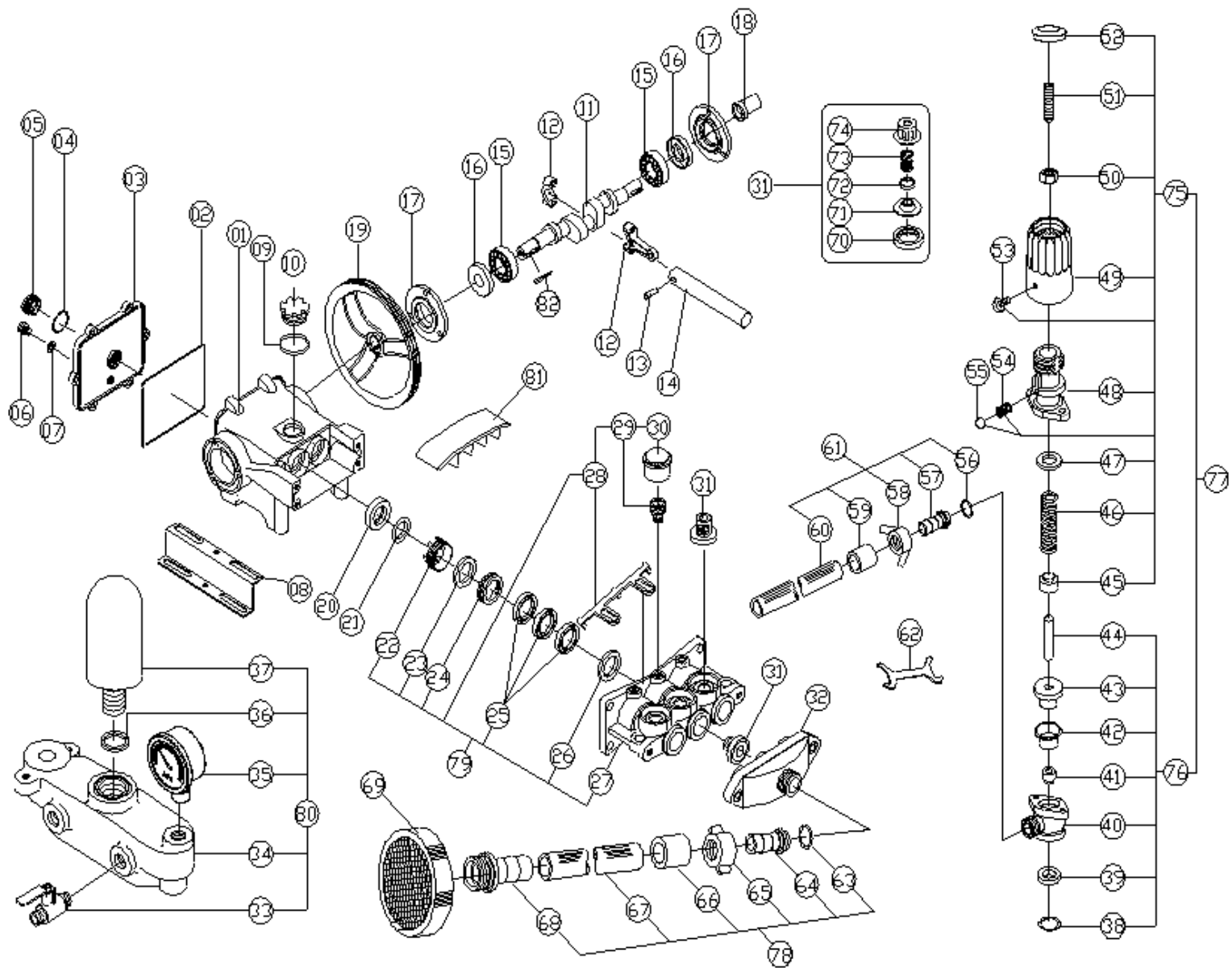
PART LIST OF AMLS-522 HTP POWER SPRAYER

SL NO	PART NO	DESCRIPTION	SL NO	PART NO	DESCRIPTION
33	AMLS-522-33	Ball Cock	50	AMLS-522-50	Nut
34	AMLS-522-34	Discharge Metal	51	AMLS-522-51	Screw
35	AMLS-522-35	Pressure Gauge	52	AMLS-522-52	Handle Cover
36	AMLS-522-36	O-Ring	53	AMLS-522-53	Screw
37	AMLS-522-37	Air Chamber	54	AMLS-522-54	Spring
38	AMLS-522-38	O-Ring	55	AMLS-522-55	Ball bearing
39	AMLS-522-39	Valve Seat	56	AMLS-522-56	O-Ring
40	AMLS-522-40	Body Overflow	57	AMLS-522-57	Core Coupling
41	AMLS-522-41	Valve	58	AMLS-522-58	Wing Net
42	AMLS-522-42	Water Seal Cup	59	AMLS-522-59	Brass Cup
43	AMLS-522-43	Box Water Seal	60	AMLS-522-60	Overflow Hose
44	AMLS-522-44	Valve Bar	61	AMLS-522-61	Overflow Hose Assy
45	AMLS-522-45	Under Metal	62	AMLS-522-62	Adjusting Belt
46	AMLS-522-46	Spring	63	AMLS-522-63	O-Ring
47	AMLS-522-47	Upper Metal	64	AMLS-522-64	Core Coupling
48	AMLS-522-48	Spring Box	65	AMLS-522-65	Wing Net
49	AMLS-522-49	Adjusting Screw	66	AMLS-522-66	Brass Cup

PART LIST OF AMLS-522 HTP POWER SPRAYER

SL NO	PART NO	DESCRIPTION	SL NO	PART NO	DESCRIPTION
67	AMLS-522-67	Suction Hose			
68	AMLS-522-68	Core Strainer			
69	AMLS-522-69	Strainer Assy			
70	AMLS-522-70	Valve Seal			
71	AMLS-522-71	Valve Seat			
72	AMLS-522-72	Stopper			
73	AMLS-522-73	Valve Spring			
74	AMLS-522-74	Spring Box			
75	AMLS-522-75	Adjusting Screw Assy			
76	AMLS-522-76	Body Overflow Assy			
77	AMLS-522-77	Adjusting Assy			
78	AMLS-522-78	Suction Hose Assy			
79	AMLS-522-79	Cylinder Assy			
80	AMLS-522-80	Discharge Metal Assy			
81	AMLS-522-81	Plunger Cover			
82	AMLS-522-82	Key			

PART LIST OF AMLS-530 HTP POWER SPRAYER



PART LIST OF AMLS-530 HTP POWER SPRAYER

SL NO	PART NO	DESCRIPTION	SL NO	PART NO	DESCRIPTION
1	AMLS-530-01	Crank Case	17	AMLS-530-17	Cover,Oil Seal
2	AMLS-530-02	Ring CrankCase	18	AMLS-530-18	Cover,Shaft
3	AMLS-530-03	Cover CrankCase	19	AMLS-530-19	Pully
4	AMLS-530-04	O-Ring	20	AMLS-530-20	Oil Seal,Plunger
5	AMLS-530-05	Oil Gauge Plug	21	AMLS-530-21	Seal,Stopping Water
6	AMLS-530-06	Oil Plug	22	AMLS-530-22	Grand
7	AMLS-530-07	Ring	23	AMLS-530-23	O-Ring
8	AMLS-530-08	Bed CrankCase	24	AMLS-530-24	Grease Ring
9	AMLS-530-09	O-Ring	25	AMLS-530-25	V-Packing
10	AMLS-530-10	Oil Plug	26	AMLS-530-26	V-Packing Seat
11	AMLS-530-11	Crank Shaft	27	AMLS-530-27	Cylinder
12	AMLS-530-12	Connecting Rod	28	AMLS-530-28	Packing Stable Plate
13	AMLS-530-13	Plunger Pin	29	AMLS-530-29	Grease Cup(seat)
14	AMLS-530-14	Plunger	30	AMLS-530-30	Grease Cup(head)
15	AMLS-530-15	Bearing	31	AMLS-530-31	Valve Assy
16	AMLS-530-16	Crankshaft Oil seal	32	AMLS-530-32	Suction Metal

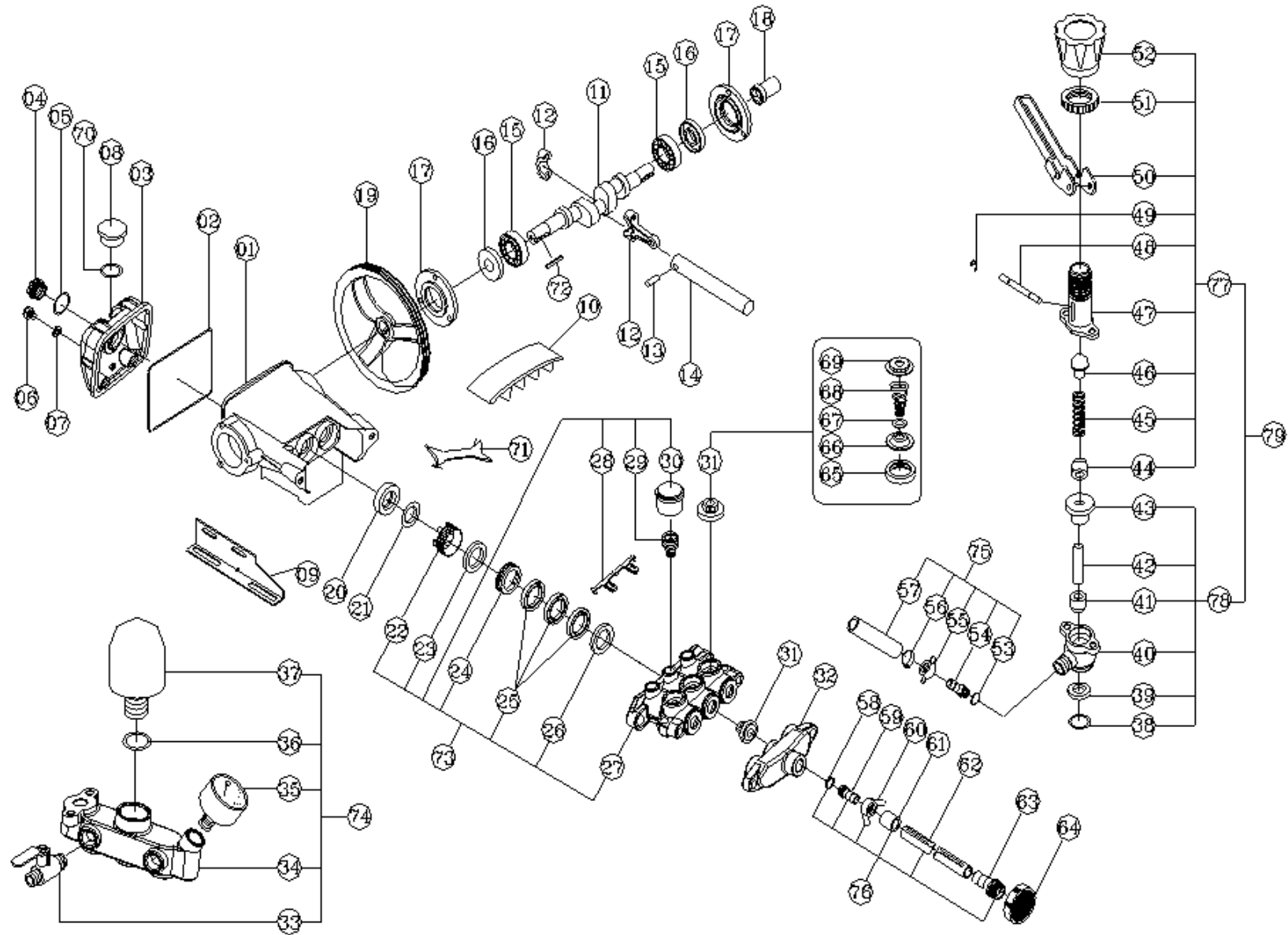
PART LIST OF AMLS-530 HTP POWER SPRAYER

SL NO	PART NO	DESCRIPTION	SL NO	PART NO	DESCRIPTION
33	AMLS-530-33	Ball Cock	49	AMLS-530-49	Adjusting Screw
34	AMLS-530-34	Discharge Metal	50	AMLS-530-50	Nut
35	AMLS-530-35	Pressure Gauge	51	AMLS-530-51	Screw
36	AMLS-530-36	O-Ring	52	AMLS-530-52	Handle Cover
37	AMLS-530-37	Air Chamber	53	AMLS-530-53	Screw
38	AMLS-530-38	O-Ring	54	AMLS-530-54	Spring
39	AMLS-530-39	Valve Seat	55	AMLS-530-55	ball bearing
40	AMLS-530-40	Body Overflow	56	AMLS-530-56	O-Ring
41	AMLS-530-41	Valve	57	AMLS-530-57	Core Coupling
42	AMLS-530-42	Water Seal Cup	58	AMLS-530-58	Wing Net
43	AMLS-530-43	Box Water Seal	59	AMLS-530-59	Brass Cup
44	AMLS-530-44	Valve Bar	60	AMLS-530-60	Overflow Hose
45	AMLS-530-45	Under Metal	61	AMLS-530-61	Overflow Hose Assy
46	AMLS-530-46	Spring	62	AMLS-530-62	Adjusting Belt
47	AMLS-530-47	Upper Metal	63	AMLS-530-63	O-Ring
48	AMLS-530-48	Spring Box	64	AMLS-530-64	Core Coupling

PART LIST OF AMLS-530 HTP POWER SPRAYER

SL NO	PART NO	DESCRIPTION	SL NO	PART NO	DESCRIPTION
65	AMLS-530-65	Wing Net	81	AMLS-530-81	Plunger Cover
66	AMLS-530-66	Brass Cup	82	AMLS-530-82	Key
67	AMLS-530-67	Suction Hose			
68	AMLS-530-68	Core Strainer			
69	AMLS-530-69	Strainer Assy			
70	AMLS-530-70	Valve Seal			
71	AMLS-530-71	Valve Seat			
72	AMLS-530-72	Stopper			
73	AMLS-530-73	Valve Spring			
74	AMLS-530-74	Spring Box			
75	AMLS-530-75	Adjusting Screw Assy			
76	AMLS-530-76	Body Overflow Assy			
77	AMLS-530-77	Adjusting Assy			
78	AMLS-530-78	Suction Hose Assy			
79	AMLS-530-79	Cylinder Assy			
80	AMLS-530-80	Discharge Metal Assy			

PART LIST OF AMLS-518 HTP POWER SPRAYER



PART LIST OF AMLS-518 HTP POWER SPRAYER

SL NO	PART NO	DESCRIPTION	SL NO	PART NO	DESCRIPTION
1	AMLS-518-01	Crank Case	17	AMLS-518-17	Cover,Oil Seal
2	AMLS-518-02	Ring CrankCase	18	AMLS-518-18	Cover,Shaft
3	AMLS-518-03	Cover CrankCase	19	AMLS-518-19	Pully
4	AMLS-518-04	Oil Gauge Plug	20	AMLS-518-20	Oil Seal,Plunger
5	AMLS-518-05	O-Ring	21	AMLS-518-21	O-Ring
6	AMLS-518-06	Screw	22	AMLS-518-22	Grand
7	AMLS-518-07	Ring	23	AMLS-518-23	O-Ring
8	AMLS-518-08	Oil Plug	24	AMLS-518-24	Grease Ring
9	AMLS-518-09	Bed CrankCase	25	AMLS-518-25	V-Packing
10	AMLS-518-10	Plunger Cover	26	AMLS-518-26	V-Packing Seat
11	AMLS-518-11	Crank Shaft	27	AMLS-518-27	Cylinder
12	AMLS-518-12	Connecting Rod	28	AMLS-518-28	Packing Stable Plate
13	AMLS-518-13	Plunger Pin	29	AMLS-518-29	Grease Cup(seat)
14	AMLS-518-14	Plunger	30	AMLS-518-30	Grease Cup(head)
15	AMLS-518-15	Bearing	31	AMLS-518-31	Valve Assy
16	AMLS-518-16	Oil Seal,Crank Shaft	32	AMLS-518-32	Suction Metal

PART LIST OF AMLS-518 HTP POWER SPRAYER

SL NO	PART NO	DESCRIPTION	SL NO	PART NO	DESCRIPTION
33	AMLS-518-33	Ball Cock	49	AMLS-518-49	Fastener
34	AMLS-518-34	Discharge Metal	50	AMLS-518-50	Lever
35	AMLS-518-35	Pressure Gauge	51	AMLS-518-51	Fly Nut
36	AMLS-518-36	O-Ring	52	AMLS-518-52	Adjusting Screw
37	AMLS-518-37	Air Chamber	53	AMLS-518-53	O-Ring
38	AMLS-518-38	O-Ring	54	AMLS-518-54	Core Coupling
39	AMLS-518-39	Valve Seat	55	AMLS-518-55	Wing Net
40	AMLS-518-40	Body Overflow	56	AMLS-518-56	Brass Cup
41	AMLS-518-41	Valve	57	AMLS-518-57	Overflow Hose
42	AMLS-518-42	Valve Bar	58	AMLS-518-58	Packing
43	AMLS-518-43	Box WaterSeal	59	AMLS-518-59	Core Coupling
44	AMLS-518-44	Under Metal	60	AMLS-518-60	Wing Net
45	AMLS-518-45	Spring	61	AMLS-518-61	Brass Cup
46	AMLS-518-46	Upper Metal	62	AMLS-518-62	Overflow Hose
47	AMLS-518-47	Spring Box	63	AMLS-518-63	Core Strainer
48	AMLS-518-48	Pin	64	AMLS-518-64	Strainer Assy

PART LIST OF AMLS-518 HTP POWER SPRAYER

SL NO	PART NO	DESCRIPTION	SL NO	PART NO	DESCRIPTION
65	AMLS-518-65	Valve Seal			
66	AMLS-518-66	Valve Seat			
67	AMLS-518-67	Stopper			
68	AMLS-518-68	Valve Spring			
69	AMLS-518-69	Spring Box			
70	AMLS-518-70	O-Ring			
71	AMLS-518-71	Adjusting Belt			
72	AMLS-518-72	Key			
73	AMLS-518-73	Cylinder Assy			
74	AMLS-518-74	Discharge Metal Assy			
75	AMLS-518-75	Overflow Hose Assy			
76	AMLS-518-76	Suction Hose Assy			
77	AMLS-518-77	Spring Box Assy			
78	AMLS-518-78	Body Overflow Assy			
79	AMLS-518-79	Adjusting Assy			

INSPECTION & MAINTAINANCE

For safety use, make sure the machine is cleaned every three months. Before working, make sure to inspect the filter and the nozzle and ensure there is no impurity. After working, make sure there is no water in the pump and the hose.

If the machine needs to be repaired in the guarantee period, please return the machine to the shop. You need to provide the certificate of purchase on order to repair or get the substitute.

Before packing, the machine should be cleaned, then use closed packaging, packaging should be firm. Store the machine in dry place.

For transportation safety. The machine should comply with ISTA.



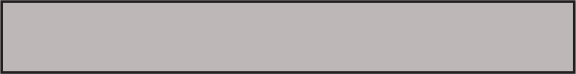
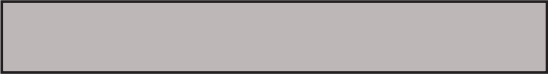
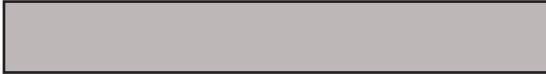
Do not dispose of electrical machines as unsorted municipal waste, use separate collection facilities.

If electrical machines are disposed of in landfills or dumps, hazardous substances can leak into the ground water and get into the food chain, damaging your health and well being.

When replacing old machines with new ones, the retailer is legally obligated to take back your old machine for disposals at least free of charge.

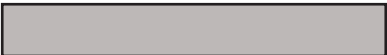




WARRANTY CARD

CUSTOMER COPY

DATE _____	DATE OF DELIVERY _____	DEALERS OFFICIAL SEAL	DEALERS SIGN _____
PURCHASERS NAME & ADDRESS _____ _____	 CUSTOMER SIGN		
PRODUCT NAME	PRODUCT SERIAL NO.	INVOICE/DN NO.	
			






I/Will accept the terms and conditions of warranty as in the warranty card

DEALERS COPY

DATE _____	DATE OF DELIVERY _____	DEALERS OFFICIAL SEAL	DEALERS SIGN _____
PURCHASERS NAME & ADDRESS _____ _____	 CUSTOMER SIGN		
PRODUCT NAME	PRODUCT SERIAL NO.	INVOICE/DN NO.	
			

I/Will accept the terms and conditions of warranty as in the warranty card

COMPANY COPY

DATE _____	DATE OF DELIVERY _____	DEALERS OFFICIAL SEAL	DEALERS SIGN _____
PURCHASERS NAME & ADDRESS _____ _____	 CUSTOMER SIGN		
PRODUCT NAME	PRODUCT SERIAL NO.	INVOICE/DN NO.	
			

I/Will accept the terms and conditions of warranty as in the warranty card

1. LIMITED WARRANTY PERIOD : For a period of six months from the date of Sale / delivery of the product which ever is earlier. 2. LIMITED WARRANTY OBLIGATION : Replacement of defective part(s) by authorized dealer are free of charges. If found defective by reasons of defective material / poor workmanship, parts will be replaced and there will be no value re-imburement. 3. TERMS & CONDITIONS : a. Claims under warranty will be accepted on submission of Warranty Card duly filled and stamped by authorized dealer together with the original purchase document. : b. Shipping / transportation / Incidental charges incurred in replacing defective parts under warranty shall be borne by the purchaser

WARRANTY null & void if

- (i) Lack of maintenance, (ii) Incorrect use of the machine or tampering, (iii) Use of non-genuine spare parts, (iv) Usage of acids, solvents, or any flammable materials, (v) Non-usage of filter water / clear water / soft water & using water above 40°C temperature, (vi) While using the pressure washers to draw water which is contaminated with dust & solvents (eg. paint thinners, gasoline, oil, etc.), (vii) Repair done by unauthorized service people, (viii) Those parts subject to wear & tear due to normal operations and plastic parts, rubber items etc, (ix) Loose connections, faulty electrical fixtures & fluctuations in power supply.
- 4. Should any failure occur during or after the warranty period, customer does not have the right to interrupt payment / price discount.
- 5. Incidental or consequential damages like inconvenience commercial loss, loss of tie, mental agony etc.
- 6. Loss of any nature due to operation or non-operation is not covered under warranty.
- 7. All free service are at Dealer's service point only.
- 8. Warranty ceases if service is not done periodically.
- 9. The attached card should be completed and returned to Ratnagiri Impex Pvt. Ltd. for registration immediately after sale / delivery.
- 10. The warranty is void unless you register the warranty card with Ratnagiri Impex Pvt. Ltd.
- 11. The decision of Ratnagiri Impex Pvt. Ltd., in settling the warranty is final in all respects.
- 12. All disputes are subject to Bangalore Courts Jurisdiction

1. LIMITED WARRANTY PERIOD : For a period of six months from the date of Sale / delivery of the product which ever is earlier. 2. LIMITED WARRANTY OBLIGATION : Replacement of defective part(s) by authorized dealer are free of charges. If found defective by reasons of defective material / poor workmanship, parts will be replaced and there will be no value re-imburement. 3. TERMS & CONDITIONS : a. Claims under warranty will be accepted on submission of Warranty Card duly filled and stamped by authorized dealer together with the original purchase document. : b. Shipping / transportation / Incidental charges incurred in replacing defective parts under warranty shall be borne by the purchaser.

WARRANTY null & void if

- (i) Lack of maintenance, (ii) Incorrect use of the machine or tampering, (iii) Use of non-genuine spare parts, (iv) Usage of acids, solvents, or any flammable materials, (v) Non-usage of filter water / clear water / soft water & using water above 40°C temperature, (vi) While using the pressure washers to draw water which is contaminated with dust & solvents (eg. paint thinners, gasoline, oil, etc.), (vii) Repair done by unauthorized service people, (viii) Those parts subject to wear & tear due to normal operations and plastic parts, rubber items etc, (ix) Loose connections, faulty electrical fixtures & fluctuations in power supply.
- 4. Should any failure occur during or after the warranty period, customer does not have the right to interrupt payment / price discount.
- 5. Incidental or consequential damages like inconvenience commercial loss, loss of tie, mental agony etc.
- 6. Loss of any nature due to operation or non-operation is not covered under warranty.
- 7. All free service are at Dealer's service point only.
- 8. Warranty ceases if service is not done periodically.
- 9. The attached card should be completed and returned to Ratnagiri Impex Pvt. Ltd. for registration immediately after sale / delivery.
- 10. The warranty is void unless you register the warranty card with Ratnagiri Impex Pvt. Ltd.
- 11. The decision of Ratnagiri Impex Pvt. Ltd., in settling the warranty is final in all respects.
- 12. All disputes are subject to Bangalore Courts Jurisdiction

1. LIMITED WARRANTY PERIOD : For a period of six months from the date of Sale / delivery of the product which ever is earlier. 2. LIMITED WARRANTY OBLIGATION : Replacement of defective part(s) by authorized dealer are free of charges. If found defective by reasons of defective material / poor workmanship, parts will be replaced and there will be no value re-imburement. 3. TERMS & CONDITIONS : a. Claims under warranty will be accepted on submission of Warranty Card duly filled and stamped by authorized dealer together with the original purchase document. : b. Shipping / transportation / Incidental charges incurred in replacing defective parts under warranty shall be borne by the purchaser.

WARRANTY null & void if

- (i) Lack of maintenance, (ii) Incorrect use of the machine or tampering, (iii) Use of non-genuine spare parts, (iv) Usage of acids, solvents, or any flammable materials, (v) Non-usage of filter water / clear water / soft water & using water above 40°C temperature, (vi) While using the pressure washers to draw water which is contaminated with dust & solvents (eg. paint thinners, gasoline, oil, etc.), (vii) Repair done by unauthorized service people, (viii) Those parts subject to wear & tear due to normal operations and plastic parts, rubber items etc, (ix) Loose connections, faulty electrical fixtures & fluctuations in power supply.
- 4. Should any failure occur during or after the warranty period, customer does not have the right to interrupt payment / price discount.
- 5. Incidental or consequential damages like inconvenience commercial loss, loss of tie, mental agony etc.
- 6. Loss of any nature due to operation or non-operation is not covered under warranty.
- 7. All free service are at Dealer's service point only.
- 8. Warranty ceases if service is not done periodically.
- 9. The attached card should be completed and returned to Ratnagiri Impex Pvt. Ltd. for registration immediately after sale / delivery.
- 10. The warranty is void unless you register the warranty card with Ratnagiri Impex Pvt. Ltd.
- 11. The decision of Ratnagiri Impex Pvt. Ltd., in settling the warranty is final in all respects.
- 12. All disputes are subject to Bangalore Courts Jurisdiction



FREE SERVICE COUPON (30DAYS/30HRS. WHICHEVER IS EARLIER)

MODEL

SERIAL NUMBER

PDI DATE

SERVICE NO.

PURCHASE BILL NO.

DATE

DEALERS OFFICE SEAL

1. Check and test the fuel mixture
3. Check , clean and adjust the spark plug
5. Check and sparken the cutting tools
7. Start and check the noise, vibration, loosen etc..

OPERATIONS

2. check and clean the air filter
4. Check and adjust the carburetor tuning
6. Product familirisation on usage
8. Routine maintenance and shortage.

FREE SERVICE COUPON (30DAYS/30HRS. WHICHEVER IS EARLIER)

MODEL

SERIAL NUMBER

PDI DATE

SERVICE NO.

PURCHASE BILL NO.

DATE

DEALERS OFFICE SEAL

1. Check and test the fuel mixture
3. Check , clean and adjust the spark plug
5. Check and sparken the cutting tools
7. Start and check the noise, vibration, loosen etc..

OPERATIONS

2. check and clean the air filter
4. Check and adjust the carburetor tuning
6. Product familirisation on usage
8. Routine maintenance and shortage.

FREE SERVICE COUPON (30DAYS/30HRS. WHICHEVER IS EARLIER)

MODEL

SERIAL NUMBER

PDI DATE

SERVICE NO.

PURCHASE BILL NO.

DATE

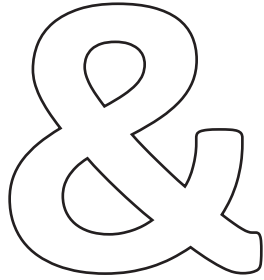
DEALERS OFFICE SEAL

1. Check and test the fuel mixture
3. Check , clean and adjust the spark plug
5. Check and sparken the cutting tools
7. Start and check the noise, vibration, loosen etc..

OPERATIONS

2. check and clean the air filter
4. Check and adjust the carburetor tuning
6. Product familirisation on usage
8. Routine maintenance and shortage.

DOS



DONT'S

1. Always read the instruction manual supplied along with the equipments and understand the correct installation and operating procedures before attempting to use the equipments.
2. It is important to use the personal protection equipments such as head helmet with visor, ear defenders, goggles, safety gloves, cut resistant shoes, trousers and jackets while operating potentially dangerous machines
3. Avoid untrained persons using the equipments. Children must not be allowed to handle these equipments
4. Always use genuine spares and accessories in repairs and usage to derive maximum life of the equipments.
5. Always keep the equipments in good working condition to minimize loss of output as well as to reduce the pollution and save the environment
6. Do not use the machine within range of persons unless they wear protective clothing
7. Do not operate the machine when fatigued or under the influence of alcohol or drugs
8. When the machine is running, please maintain a constant water supply. Without water circulation will damage the sealing rings of the machine.
9. For more query kindly contact for our Service Center/Dealer/ franchise

Agrimate Army For Pest Control

ANY WHERE - ANY TIME - ANY CROP



Marketed by:
**ratnagiri
impex**
BRINGING YOU THE FUTURE... NOW

RATNAGIRI IMPEX PVT., LTD.,

Annapurna House, #1 / 1G, 7th Cross, New
Guddadahalli

Mysore Road, Bangalore - 560 026

Missed Call : 7393 938 938

Email: ask@agrimart.in