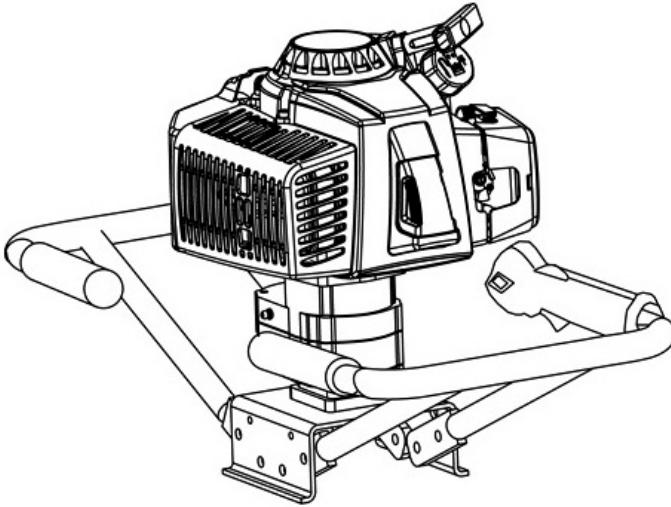


KASEI

DIAGRAM & SPARE PARTS

KZ-6300EA-NEO-2S

EARTH AUGER

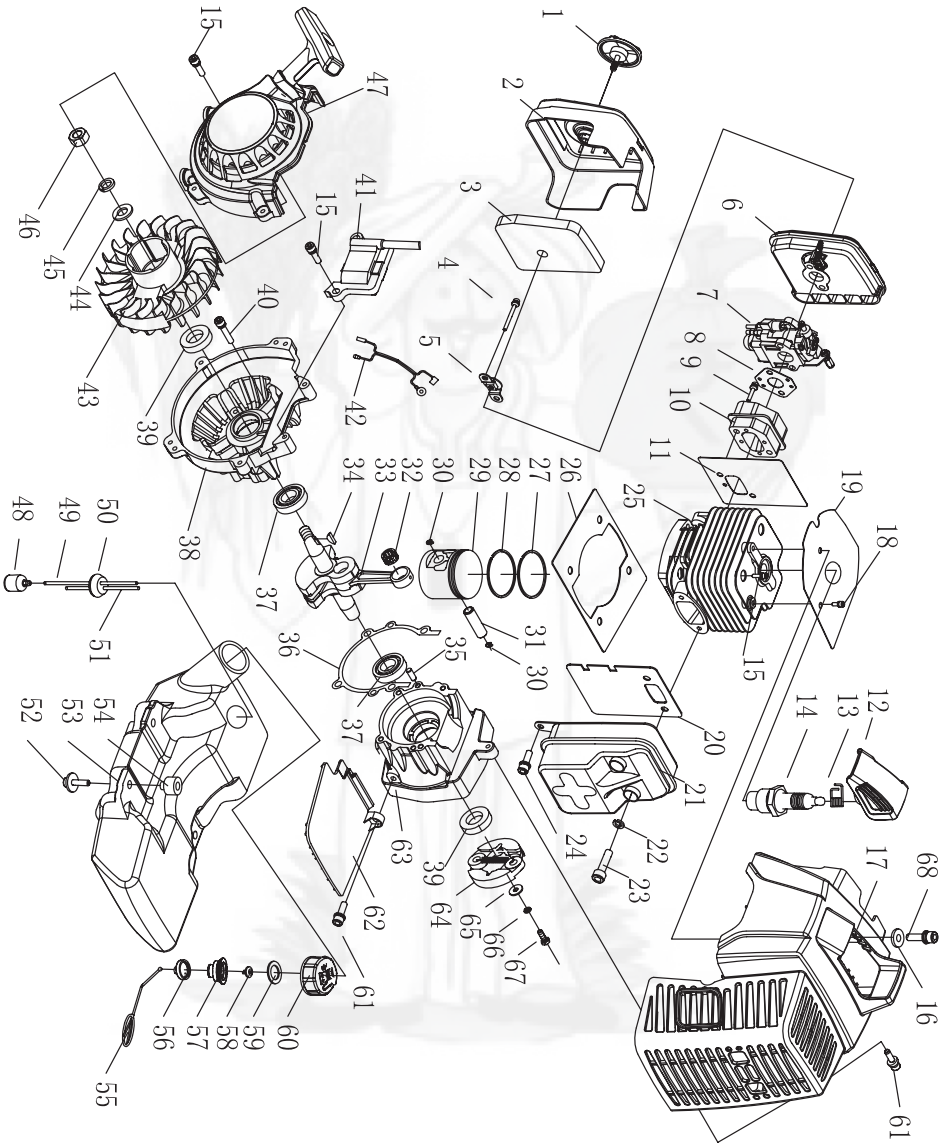


Original Instructions

CAUTION: Thank you for purchasing a product. Before using our pole saw, please read this manual carefully to understand the proper use of your unit.



KASEI-EARTH AUGER-KZ-6300EA-NEO-2S ENGINE DIAGRAM

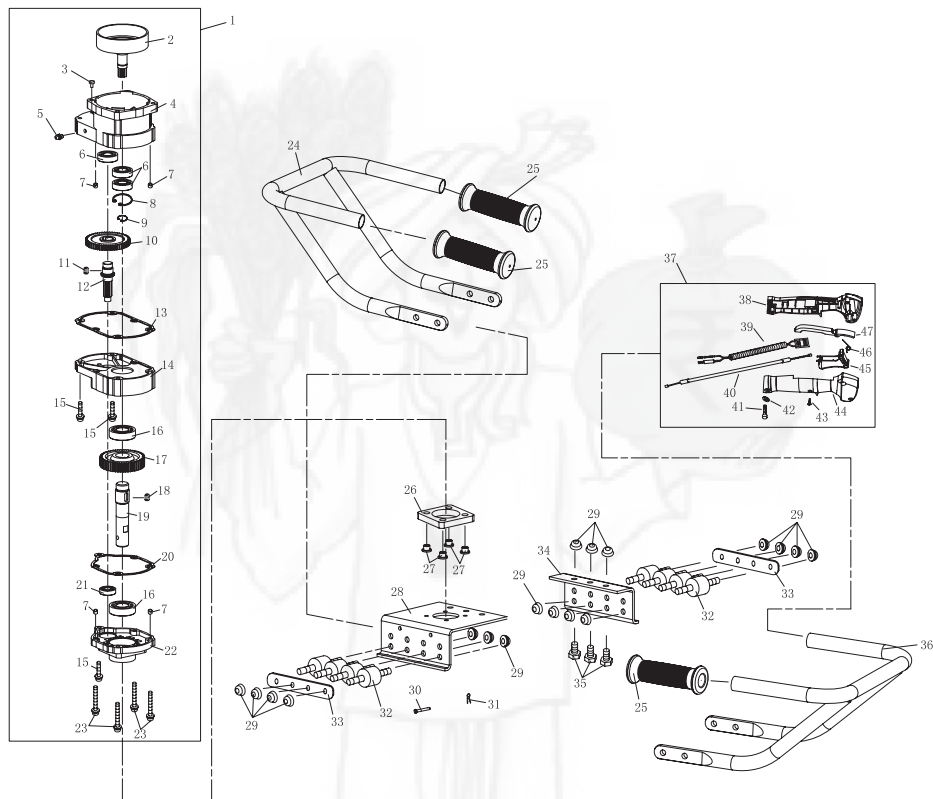


KASEI-EARTH AUGER-KZ-6300EA-NEO-2S ENGINE SPARE PARTS LIST

No	Part No.	Part Description
1	KZ-6300EA-EN-01	SCREW
2	KZ-6300EA-EN-02	CLEANER OUTSIDE COVER
3	KZ-6300EA-EN-03	FILTER NET
4	KZ-6300EA-EN-04	SCREW M5×50
5	KZ-6300EA-EN-05	BAFFLE
6	KZ-6300EA-EN-06	CLEANER INSIDE COVER
7	KZ-6300EA-EN-07	CARBURETOR
8	KZ-6300EA-EN-08	GASKET
9	KZ-6300EA-EN-09	SCREW M5×30
10	KZ-6300EA-EN-10	ADMITTING PIPE
11	KZ-6300EA-EN-11	GASKET
12	KZ-6300EA-EN-12	CAP
13	KZ-6300EA-EN-13	SPRING
14	KZ-6300EA-EN-14	PLUG
15	KZ-6300EA-EN-15	SCREW M5×20
16	KZ-6300EA-EN-16	GASKET
17	KZ-6300EA-EN-17	GUIDE COVER ASS'Y
18	KZ-6300EA-EN-18	SCREW M5×12
19	KZ-6300EA-EN-19	CLAPBOARD
20	KZ-6300EA-EN-20	GASKET
21	KZ-6300EA-EN-21	MUFFLER
22	KZ-6300EA-EN-22	WASHER 8
23	KZ-6300EA-EN-23	SCREW 8×30-10.9
24	KZ-6300EA-EN-24	SCREW M5×12
25	KZ-6300EA-EN-25	CYLINDER
26	KZ-6300EA-EN-26	GASKET
27	KZ-6300EA-EN-27	PISTON RING
28	KZ-6300EA-EN-28	PISTON RING
29	KZ-6300EA-EN-29	PISTON
30	KZ-6300EA-EN-30	RING
31	KZ-6300EA-EN-31	PISTON PIN
32	KZ-6300EA-EN-32	BEARING
33	KZ-6300EA-EN-33	CRANK SHAFT ASS'Y
34	KZ-6300EA-EN-34	KEY

No	Part No.	Part Description
35	KZ-6300EA-EN-35	PIN 4h8×10
36	KZ-6300EA-EN-36	GASKET
37	KZ-6300EA-EN-37	BEARING 6202/P5
38	KZ-6300EA-EN-38	CRANK CASE
39	KZ-6300EA-EN-39	SEAL
40	KZ-6300EA-EN-40	SCREW M5×30
41	KZ-6300EA-EN-41	COIL
42	KZ-6300EA-EN-42	CORD COMP.
43	KZ-6300EA-EN-43	FLY WHEEL
44	KZ-6300EA-EN-44	WASHER 10
45	KZ-6300EA-EN-45	WASHER 10
46	KZ-6300EA-EN-46	NUT M10×1
47	KZ-6300EA-EN-47	STARTER
48	KZ-6300EA-EN-48	FILTER
49	KZ-6300EA-EN-49	FUEL PIPE
50	KZ-6300EA-EN-50	PLUG
51	KZ-6300EA-EN-51	FUEL PIPE
52	KZ-6300EA-EN-52	SCREW M5×25
53	KZ-6300EA-EN-53	FUEL TANK
54	KZ-6300EA-EN-54	GASKET
55	KZ-6300EA-EN-55	CHAIN
56	KZ-6300EA-EN-56	COVER
57	KZ-6300EA-EN-57	INSIDE COVER
58	KZ-6300EA-EN-58	INLET
59	KZ-6300EA-EN-59	GASKET
60	KZ-6300EA-EN-60	FUEL TANK LID
61	KZ-6300EA-EN-61	SCREW M5×16
62	KZ-6300EA-EN-62	CLAPBOARD
63	KZ-6300EA-EN-63	CRANK CASE
64	KZ-6300EA-EN-64	CLUTCH
65	KZ-6300EA-EN-65	WASHER 6
66	KZ-6300EA-EN-66	WASHER 6
67	KZ-6300EA-EN-67	BOLT
68	KZ-6300EA-EN-68	SCREW M5×16

KASEI-EARTH AUGER-KZ-6300EA-NEO-2S TRANSMISSION SPARE DIAGRAM



KASEI-EARTH AUGER-KZ-6300EA-NEO-2S TRANSMISSION SPARE PARTS LIST

No	Part No.	Part Description
1	KZ-6300EA-T-01	GEAR BOX
2	KZ-6300EA-T-02	CLUTCH DRUM COMP.
3	KZ-6300EA-T-03	VENT-PLUG
4	KZ-6300EA-T-04	WHEEL BOX
5	KZ-6300EA-T-05	FUEL CUP M6
6	KZ-6300EA-T-06	BEARING 6002-2RS/P5
7	KZ-6300EA-T-07	BUSHING
8	KZ-6300EA-T-08	STOP RING 32
9	KZ-6300EA-T-09	STOP RING 15
10	KZ-6300EA-T-10	GEAR
11	KZ-6300EA-T-11	KEY(cancel)
12	KZ-6300EA-T-12	GEAR SHAFT
13	KZ-6300EA-T-13	GASKET
14	KZ-6300EA-T-14	WHEEL BOX
15	KZ-6300EA-T-15	SCREW M6×30
16	KZ-6300EA-T-16	BEARING 6004-2RS/P5
17	KZ-6300EA-T-17	GEAR
18	KZ-6300EA-T-18	KEY(cancel)
19	KZ-6300EA-T-19	SHAFT
20	KZ-6300EA-T-20	GASKET
21	KZ-6300EA-T-21	BEARING 6000-2RS/P5
22	KZ-6300EA-T-22	CASE COVER
23	KZ-6300EA-T-23	SCREW M6×55
24	KZ-6300EA-T-24	HANDLE

No	Part No.	Part Description
25	KZ-6300EA-T-25	RUBBER RINGER
26	KZ-6300EA-T-26	RUBBER WASHER
27	KZ-6300EA-T-27	SPACER
28	KZ-6300EA-T-28	BRACE 1
29	KZ-6300EA-T-29	NUT M5
30	KZ-6300EA-T-30	SHAFT
31	KZ-6300EA-T-31	PIN
32	KZ-6300EA-T-32	RUBBER POLE
33	KZ-6300EA-T-33	CUSHION
34	KZ-6300EA-T-34	BRACE 2
35	KZ-6300EA-T-35	SCREW M8×20
36	KZ-6300EA-T-36	HANDLE
37	KZ-6300EA-T-37	LEVER ASS'Y
38	KZ-6300EA-T-38	BOX, LEFT
39	KZ-6300EA-T-39	STOP BUTTON COMP.
40	KZ-6300EA-T-40	CABLE COMP.
41	KZ-6300EA-T-41	SCREW M5×30
42	KZ-6300EA-T-42	WASHER 5
43	KZ-6300EA-T-43	SCREW ST3.5×13
44	KZ-6300EA-T-44	BOX, RIGHT
45	KZ-6300EA-T-45	HANDGRIP
46	KZ-6300EA-T-46	SPRING
47	KZ-6300EA-T-47	HANDGRIP
		200 Drill



KASEI
Multi-products,
multi-applications

Imported & Marketed by

RATNAGIRI IMPEX PVT LTD

Annapurna House, #1/1G, 7th Cross, New Guddadahalli

Mysore Road, Bangalore-560 026

Customer Care: 1800-425-3036

email: marketing@ratnagiriimpex.com

www.ratnagiriimpex.com



Marketed by:
**ratnagiri[®]
impex**
BRINGING YOU THE FUTURE... NOW

AN ISO 9001:2008 CERTIFIED COMPANY