

KASEI

Advanced Technology

OPERATOR'S MANUAL

KZ 4000BP-PRO-2S

BRUSH CUTTER BACK PACK



OPTIONAL
PLOUGHER
ATTACHMENT

Original Instructions

CAUTION:

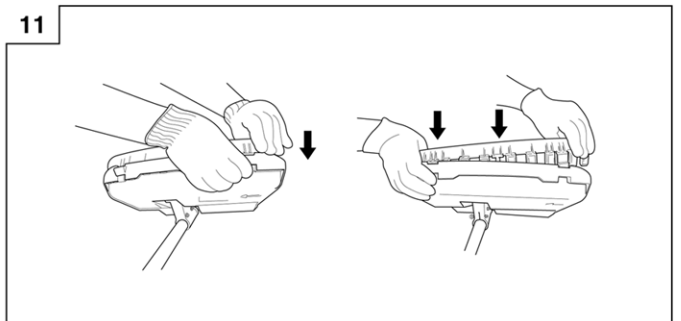
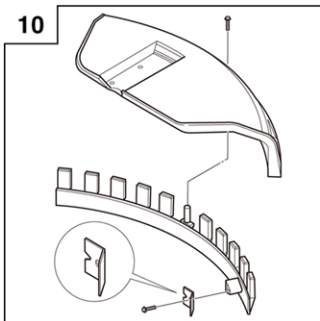
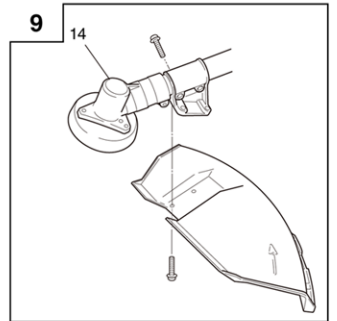
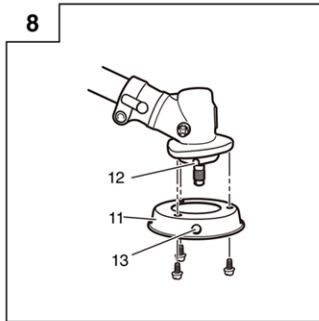
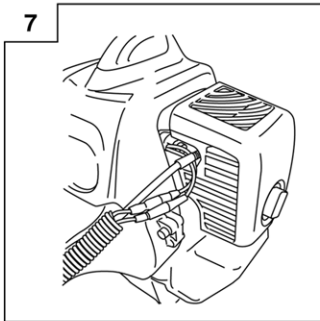
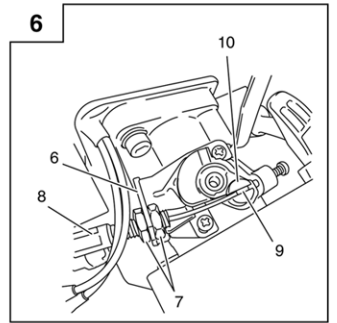
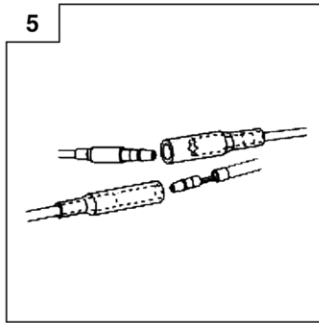
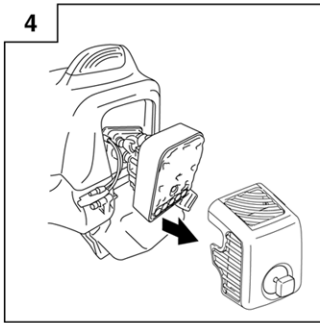
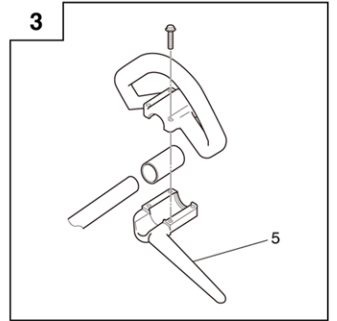
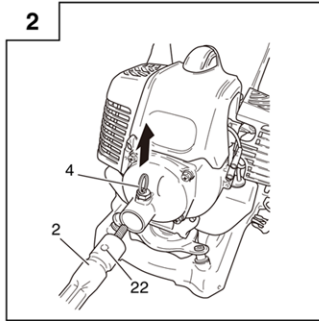
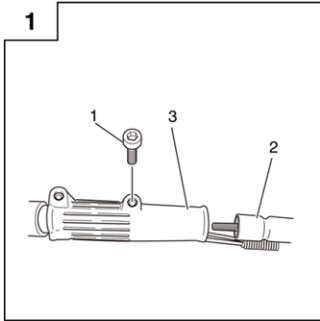
- Read all precautions and instructions in this manual before using this product. Keep this manual for future reference.
- Product may vary slightly from picture.

Serial No.

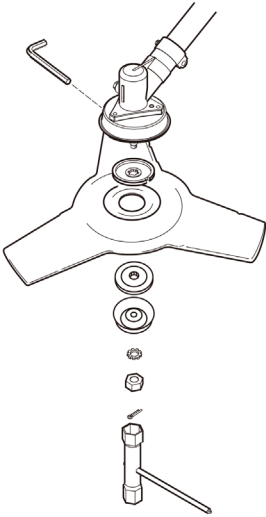


CONTENTS

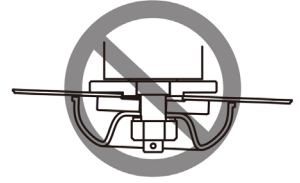
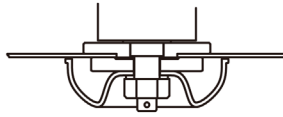
FIGURE.....	1
INTRODUCION.....	5
MEANINGS OF SYMBOLS.....	6
WARNINGS & SAFETY INSTRUCTIONS.....	7
DESCRIPTION.....	9
ASSEMBLY.....	10
OPERATING PROCEDURES.....	11
MAINTENANCE.....	13



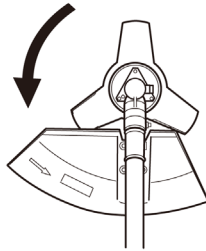
12



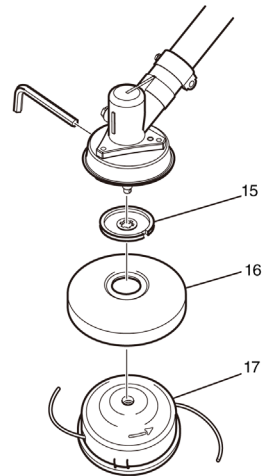
13



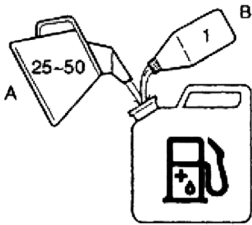
14



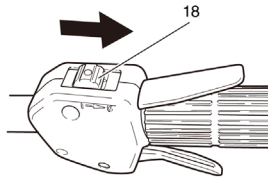
15



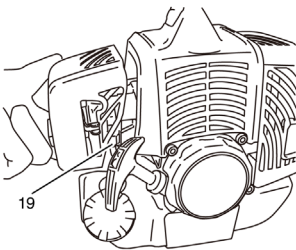
16



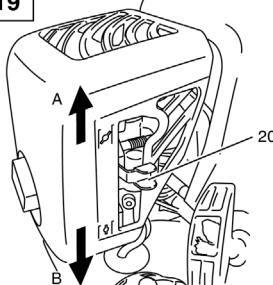
17



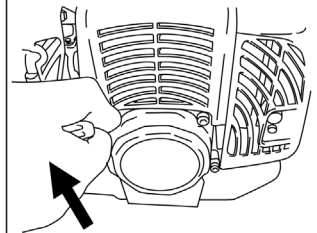
18

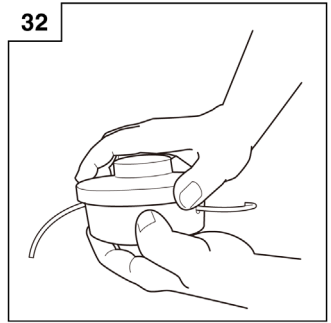
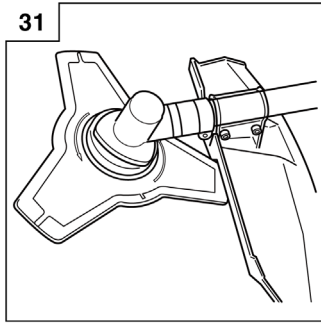
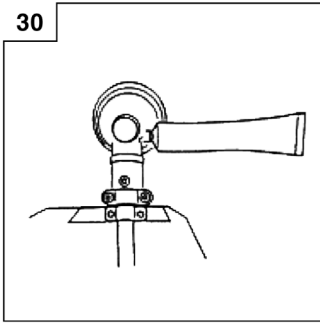
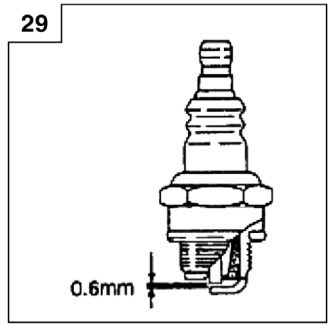
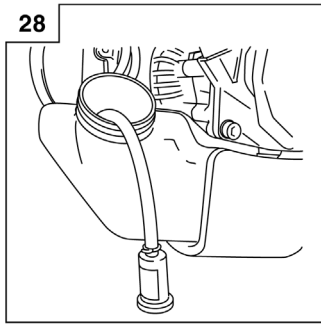
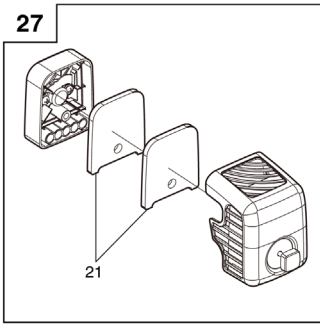
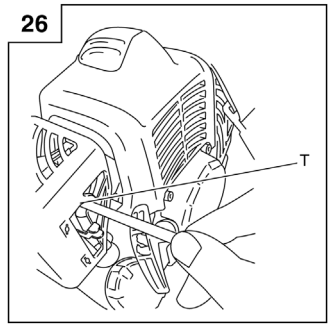
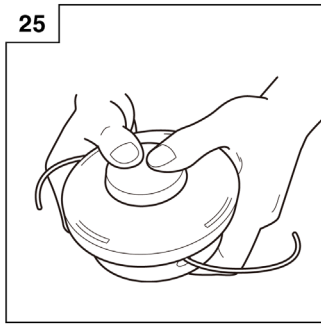
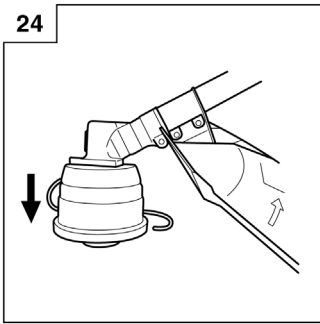
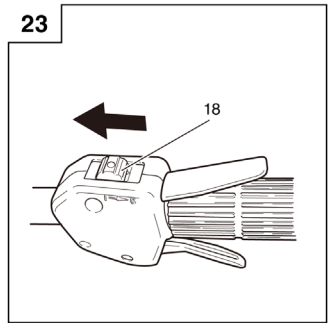
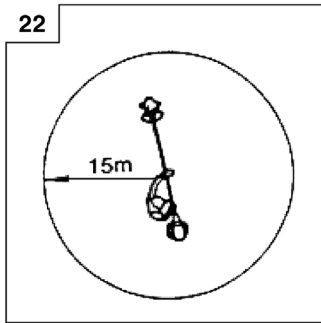
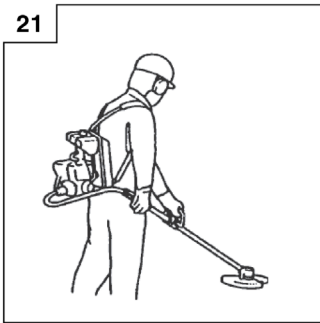


19

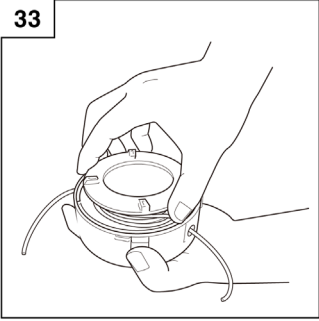


20

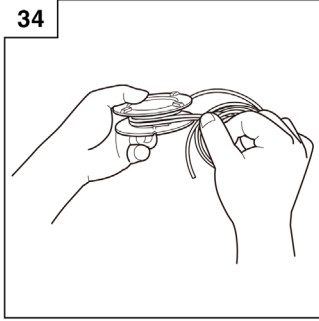




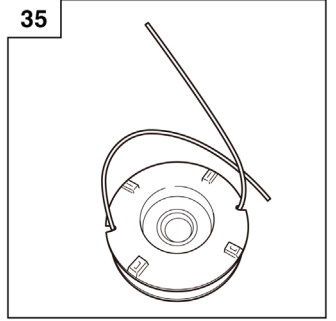
33



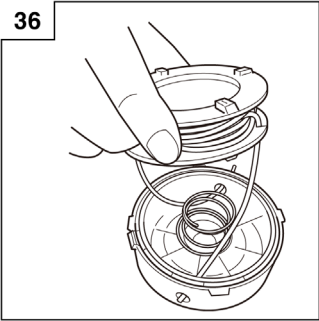
34



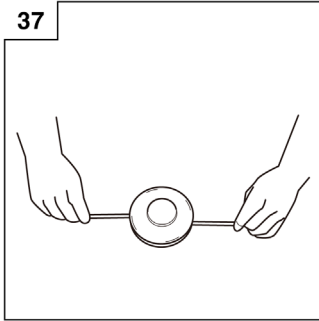
35



36



37



INTRODUCION

Thank you for your purchasing the brush cutter of our Company. The present manual explains how to handle the brush cutter well. Before using it, please read this operator's manual carefully, operate the machine correctly and engage in your task with safety. By the way, due to changes of specifications, all details of your machine may not agree with this manual. Please understand accordingly. The machine is only intended to be used to cut frutex, or soft vegetation.

Model	KZ 4000BP PRO 2S	
Engine		
Displacement (cm ³)	40.2	
Spark plug	NGK BPMR6A or equivalent	
Idling speed (min ⁻¹)	2750	
Speed of output shaft (min ⁻¹)	9900	
Max. engine output (kW)	1.31	
Specific fuel consumption at max. engine output (g/kWh)(ISO 14865)	604	
Fuel tank capacity (cm ³)	1000	
Dry weight (kg)	Unit	10.7
	Backpack power unit	6.7
Cutting attachment Type / Dia. (mm)	Metal blade / 255	
Sound pressure level (dB (A))	(ISO14865) Equivalent Uncertainty	91 3
Measured sound power level (dB (A))	(ISO14865) Equivalent Uncertainty	103 3
Measured sound power level (dB (A))	(2000/14/EC) Racing	104
Guaranteed sound power level (dB (A))	(2000/14/EC) Racing	112
Vibration level (m/s ²)	(ISO7916)	
Idling	Front handle	0.6
	Rear handle	0.3
Racing	Front handle	6.7
	Rear handle	4.0










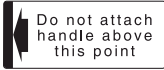
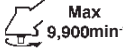
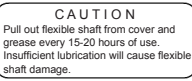
NOTE

Equivalent noise level/vibration level are calculated as the time-weighted energy total for noise/vibration levels under various working conditions with the following time distribution: 1/2 Idle, 1/2 racing.

* All data is subject to change without notice.

MEANINGS OF SYMBOLS

NOTE: Some units do not carry them.

 Symbols ⚠ WARNING The following show symbols used for the machine. Be sure that you understand their meaning before use.			
	It is important that you read, fully understand and observe the following safety precautions and warnings. Careless or improper use of the unit may cause serious or fatal injury.		Gloves should be worn when necessary, e.g., when assembling cutting equipment.
	Read, understand and follow all warnings and instructions in this manual and on the unit.		Use anti-slip and sturdy footwear.
	Always wear eye, head and ear protectors when using this unit.		Blade thrust may occur when the spinning blade contacts a solid object in the critical area. A dangerous reaction may occur causing the entire unit and operator to be thrust violently. This reaction is called blade thrust. As a result, the operator may lose control of the unit which may cause serious or fatal injury. Blade thrust is more likely to occur in areas where it is difficult to see the material to be cut.
	Keep all children, bystanders and helpers 15 m away from the unit. If anyone approaches you, stop the engine and cutting attachment immediately.		
	Be careful of thrown objects.		Indicate handle location. Do not attach handle above this point.
	Shows maximum shaft speed. Do not use the cutting attachment whose max rpm is below the shaft rpm.		CAUTION Pull out flexible shaft from cover and grease every 15-20 hours of use. Insufficient lubrication will cause flexible shaft damage.

WARNINGS & SAFETY INSTRUCTIONS

Operator safety

- Always wear a safety face shield or goggles.
- Always wear heavy, long pants, boots and gloves. Do not wear loose clothing, jewelry, short pants, sandals or go barefoot. Secure hair so it is above shoulder length.
- Do not operate this tool when you are tired, ill or under the influence of alcohol, drugs or medication.
- Never let a child or inexperienced person operate the machine.
- Wear hearing protection. Pay attention to your surroundings. Be aware of any bystanders who may be signaling a problem. Remove safety equipment immediately upon shutting off engine.
- Wear head protection.
- Never start or run the engine inside a closed room or building. Breathing exhaust fumes can kill.
- Keep handles free of oil and fuel.
- Keep hands away from cutting equipment.
- Do not grab or hold the unit by the cutting equipment.
- When the unit is turned off, make sure the cutting attachment has stopped before the unit is set down.
- When operation is prolonged, take a break from time to time so that you may avoid possible Hand-Arm Vibration Syndrome (HAVS) which is caused by vibration.

⚠ WARNING

- Antivibration systems do not guarantee that you will not sustain Hand-Arm Vibration Syndrome or carpal tunnel syndrome. Therefore, continual and regular users should monitor closely the condition of their hands and fingers. If any symptoms of the above appear, seek medical advice immediately.
- If you are using any medical electric/electronic devices such as a pacemaker, consult your physician as well as the device manufacturer prior to operating any power equipment.

Unit/machine safety

- Inspect the entire unit/machine before each use. Replace damaged parts. Check for fuel leaks and make sure all fasteners are in place and securely tightened.

- Replace parts that are cracked, chipped or damaged in any way before using the unit/machine.
- Make sure the safety guard is properly attached. Keep others away when making carburetor adjustments.
- Use only accessories as recommended for this unit/machine by the manufacturer.

⚠ WARNING

Never modify the unit/machine in any way. Do not use your unit/machine for any job except that for which it is intended

Fuel safety

- Mix and pour fuel outdoors and where there are no sparks or flames.
- Use a container approved for fuel.
- Do not smoke or allow smoking near fuel or the unit/machine or while using the unit/machine.
- Wipe up all fuel spills before starting engine.
- Move at least 3m away from fueling site before starting engine.
- Stop engine before removing fuel cap.
- Empty the fuel tank before storing the unit/machine. It is recommended that the fuel be emptied after each use. If fuel is left in the tank, store so fuel will not leak.
- Store unit/machine and fuel in area where fuel vapors cannot reach sparks or open flames from water heaters, electric motors or switches, furnaces, etc.

⚠ WARNING

Fuel is easy to ignite or get explosion or inhale fumes, so that pay special attention when handling or filling fuel.

Cutting safety

- Do not cut any material other than grass and brush.
- Do not perform any operations which may influence an enormous shock on the cutting attachment. Otherwise, the flexible shaft may risk to be damaged.
- Inspect the area to be cut before each use. Remove objects which can be thrown or become entangled.
- For respiratory protection, wear an aerosol

protection mask when cutting the grass after insecticide is scattered.

- Keep others including children, animals, bystanders and helpers outside the 15m hazard zone. Stop the engine immediately if you are approached.
- Always keep the drive shaft tube on the right side of your body.
- Hold the unit/machine firmly with both hands.
- Keep firm footing and balance. Do not over-reach.
- Keep all parts of your body away from the muffler and cutting attachment when the engine is running.
- Keep cutting attachment below waist level.
- When relocating to a new work area, be sure to shut off the machine and ensure that all cutting attachments are stopped.
- Never place the machine on the ground when running.
- Always ensure that the engine is shut off and any cutting attachments have completely stopped before clearing debris or removing grass from the cutting attachment.
- Always carry a first-aid kit when operating any power equipment.
- Never start or run the engine inside a closed room or building and/or near inflammable liquids. Breathing exhaust fumes can kill.

Maintenance safety

- Maintain the unit/machine according to recommended procedures.
- Disconnect the spark plug before performing maintenance except for carburetor adjustments.
- Keep others away when making carburetor adjustments.
- Use only genuine replacement parts as recommended by the manufacturer.

Transport and storage

- Carry the unit/machine by hand with the engine stopped and the muffler away from your body.
- Allow the engine to cool, empty the fuel tank, and secure the unit/machine before storing or transporting in a vehicle.
- Empty the fuel tank before storing the unit/machine. It is recommended that the fuel be emptied after each use. If fuel is left in the tank, store so fuel will not leak.
- Store unit/machine out of the reach of children.

- Clean and maintain the unit carefully and store it in a dry place.
- Make sure engine switch is off when transporting or storing.
- When transporting in a vehicle, cover blade with blade cover.

If situations occur which are not covered in this manual, take care and use common sense. Contact your dealer if you need assistance. Pay special attention to statements preceded by the following words:

⚠WARNING

Indicates a strong possibility of severe personal injury or loss of life, if instructions are not followed.

CAUTION

Indicates a possibility of personal injury or equipment damage, if instructions are not followed.

NOTE

Helpful information for correct function and use.

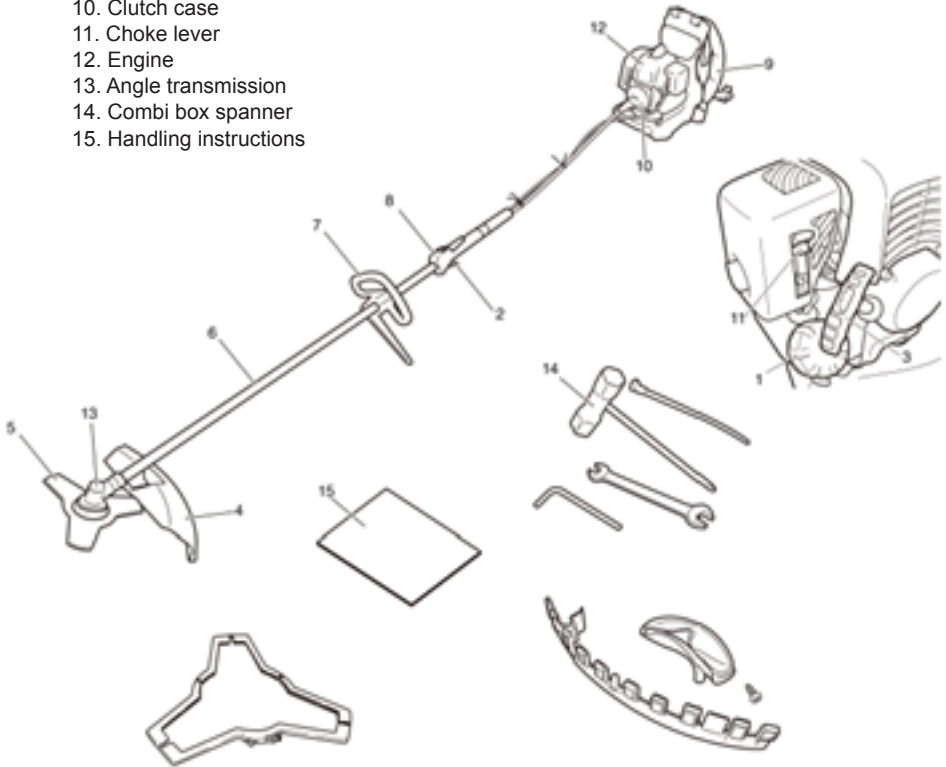
CAUTION

Do not disassemble the recoil starter. You may get a possibility of personal injury with recoil spring.

DESCRIPTION

Since this manual covers several models, there may be some difference between pictures and your unit. Use the instructions that apply to your unit.

1. Fuel cap
2. Throttle lever
3. Starter handle
4. Blade guard
5. Cutting attachment
6. Drive shaft tube
7. Handle
8. Ignition switch
9. Harness
10. Clutch case
11. Choke lever
12. Engine
13. Angle transmission
14. Combi box spanner
15. Handling instructions



ASSEMBLY

Drive shaft to engine (Fig. 1)

Remove tube locking bolt (1).
Insert unholed end of flexible shaft (2) into joint pipe of drive shaft (3) to the end and tighten the tube locking bolt by engaging the bolt to the slot of flexible shaft.

NOTE

Make sure to align square end of flexible inner shaft with square hole of drive shaft by slightly rotating drive shaft so that they are connected firmly.

Flexible shaft to engine (Fig. 2)

Pull up lock-pin (4).
Insert holed end of flexible shaft into clutch case to the end by rotating slightly.
Release lock-pin to lock in the location hole (22).

Installation of handle

WARNING

When you use steel/rigid blades on brush cutters, always use a barrier bar (5) and shoulder harness with the loop handle. (Fig. 3)

Attach the handle to the drive shaft tube with the angle towards the engine.
Adjust the location to the most comfortable position before operation.

Throttle wire / stop cord

Remove air cleaner cover. (Fig. 4)
Connect stop cords. (Fig. 5)
Insert the stay (6) under the nut (7) screwed onto the outer end of the throttle wire (8) and connect the end of the throttle wire (9) to the carburetor (10). Then tighten the nut (7) to secure the throttle wire to the stay (6). (Fig. 6)

NOTE

Check that the carburetor throttle returns to the idle position and also that it can be opened wide by operating the throttle lever.

Cover throttle wire and stop cords together with protective tube provided up to air cleaner cover. (Fig. 7)
Some models may come with the throttle wire and stop cords already installed.

Installation of gear case cover (Fig. 8)

Attach the gear case cover (11) with the three screws, making sure to align the notch (12) in the gear case with the hole (13) in the gear case cover.

Installation of blade guard (Fig. 9)

The guard bracket already mounted to the drive shaft tube. Install the blade guard on drive shaft tube against angle transmission (14). Tighten the guard bracket firmly so that the blade guard does not swing or move down during operation.

CAUTION

The blade guard must be in place during operation. If the blade guard is not in place, there is a possibility of serious injury.

Blade guards are equipped with sharp line limiter. Be careful with handling it.

Installation of cutting blade (Fig. 12)

When installing a cutting blade, make sure that there are no cracks or any damage in it and that the cutting edges are facing the correct direction. Align the notch hole of the cutter holder with the hole on the gear case cover and insert the Allen wrench to stop turning. Turn the fixing nut clockwise and remove the fixing nut, protection cover, cutter holder cap, and toothed lock washers. The installation of the cutting blade is as follows: insert the Allen wrench into the notch hole of the cutter holder and the hole on the gear case. Then, install the cutting blade (check the installing direction, as referring to Fig. 14), the cutter holder cap, protection cover and toothed lock washers onto the cutter holder in this order. Finally, tighten the fixing nut securely by turning counterclockwise with the Combi box spanner. (Fig. 12)

CAUTION

○ When installing the cutting blade, set its center hole to the convex part of the cutter holder and hold it with the concave surface of the cutter holder cap. Then, tighten the fixing nut to prevent the cutting blade from being eccentric. (Fig. 12)
After installing the cutting blade, be sure to remove the Allen wrench and Combi box spanner.

- Before operation, make sure the blade has been properly installed. (Fig. 13)
- Before operation, check the cutter holder cap under the cutting blade for wear or cracks. If any damage or wear is found, replace it, as it is an article of consumption.

NOTE

The blade must be retained with a new cotter pin each time installed. (Fig. 12)

Installation of nylon head (Fig. 15)

If your unit has nylon head, follow the installation.

Attach cutter holder (15) to the gear case. Insert an Allen wrench into the hole in the gear case to attach winding protector (16) and attach nylon head (17) by turning it clockwise.

NOTE

- Since cutter holder cap is not used here, keep it for next metal blade use.
- To attach the guard extension, refer to the drawings. Wear gloves as the extension has a sharp line limiter, then push the guard extension to blade guard when make sure put on two tabs. After attach the screw. (Fig. 10, 11)

OPERATING PROCEDURES

Fuel (Fig. 16)

⚠ WARNING

- The backpack brush cutter is equipped with a two-stroke engine. Always run the engine on fuel, which is mixed with oil.
Provide good ventilation, when fueling or handling fuel.
- Fuel is highly flammable and toxic and can result in serious injury if it is inhaled or comes into contact with your skin. Always handle fuel with care. Always have good ventilation when handling fuel inside building.

Fuel

- Always use branded 89 octane unleaded gasoline.
- Use genuine two-cycle oil or use a mix between 25:1 to 50:1, please consult the oil bottle for the ratio or dealer.
- If genuine oil is not available, use an anti-oxidant added quality oil expressly labeled for air-cooled 2-cycle engine use (JASO FC GRADE OIL or ISO EGC GRADE). Do not use BIA or TCW(2-stroke water-cooling type) mixed oil.
- Never use multi-grade oil (10 W/30) or waste oil.
- Always mix fuel and oil in a separate clean container.

Always start by filing half the amount of fuel, which is to be used. Then add the whole amount of oil. Mix (shake) the fuel mixture. Add the remaining amount of fuel.
Mix (shake) the fuel-mix thoroughly before filling the fuel tank.

Fueling

⚠ WARNING

- Always shut off the engine before refueling.
- Slowly open the fuel tank, when filling up with fuel, so that possible over-pressure disappears.
- Tighten the fuel cap carefully, after fueling.
- Always move the brush cutter at least 3 m from the fueling area before starting.
- Always wash any spilled fuel from clothing immediately with soap.
- Be sure to check for any fuel leakage after refueling.

Before fueling, clean the tank cap area carefully, to ensure that no dirt falls into the tank. Make sure that the fuel is well mixed by shaking the container, before fueling.

Starting

CAUTION

Before starting, make sure the cutting attachment does not touch anything.

1. Slide ignition switch (18) to RUN position. (Fig. 17)

* Push priming bulb (19) several times so that fuel flows through return pipe. (Fig. 18)

2. Set choke lever (20) to START position (A). (Fig. 19)

3. Pull recoil starter briskly, taking care to keep the handle in your grasp and not allowing it to snap back. (Fig. 20)

4. When you hear the engine want to start, return choke lever to RUN position (B). Then pull recoil starter briskly again.

NOTE

If engine does not start, repeat procedures from 2 to 4.

5. After starting engine, allow the engine about 2–3 minutes to warm up before subjecting it to any load.

7. Check that the cutting attachment does not rotate when the engine is idling.

Cutting (Fig. 21,22)

○ When cutting, operate engine at over 6500 min-1. Extended time of use at low rpm may wear out the clutch prematurely.

○ Cut grass from right to left.

○ When working on a slope, the blade should allow the contour from top to bottom, with the operator looking down to the left.

○ Blade thrust may occur when the spinning blade contacts a solid object in the critical area.

A dangerous reaction may occur causing the entire unit and operator to be thrust violently.

This reaction is called blade thrust. As a result, the operator may lose control of the unit which may cause serious or fatal injury. Blade thrust is more likely to occur in areas where it is difficult to see the material to be cut.

○ The blade turns counter-clockwise, therefore, be advised to operate the unit from right to left for efficient cutting. Keep onlookers out of working area at least 15 m.

⚠ WARNING

If cutting attachment should strike against stones or other debris, stop the engine and make sure that the attachment and related

parts are undamaged. When grass or vines wrap around attachment, stop engine and attachment and remove them.

Stopping (Fig. 23)

Decrease engine speed and run at an idle for a few minutes, then turn off ignition switch (18).

⚠ WARNING

A cutting attachment can injure while it continues to spin after the engine is stopped or power control is released. When the unit is turned off, make sure the cutting attachment has stopped before the unit is set down.

How to use nylon head

When cutting, operate engine at over 6500 min-1. Extended use at low rpm may wear out the clutch prematurely.

This product is designed so that it will stop cutting when the nylon line becomes 16 cm or longer.

⚠ WARNING

A cutting attachment can injure while it continues to spin after the engine is stopped or power control is released. When the unit is turned off, make sure the cutting attachment has stopped before the unit is set down.

Set the engine speed as low as possible and tap the Head on the ground. (Fig. 24) Also, you can extend nylon line with hands but the engine must be completely stopped. (Fig. 25)

Adjust nylon line to proper length 11-14 cm before each operation.

MAINTENANCE

MAINTENANCE, REPLACEMENT OR REPAIR OF THE EMISSION CONTROL DEVICES AND SYSTEMS MAY BE PERFORMED BY ANY NON-ROAD ENGINE REPAIR ESTABLISHMENT OR INDIVIDUAL.

Carburetor adjustment (Fig. 26)

WARNING

- The cutting attachment may be spinning during carburetor adjustments.
- Never start the engine without the complete clutch cover and tube assembled! Otherwise the clutch can come loose and cause personal injuries.

In the carburetor, fuel is mixed with air. When the engine is test run at the factory, the carburetor is basically adjusted. A further adjustment may be required, according to climate and altitude. The carburetor has one adjustment possibility:

T = Idle speed adjustment screw.

Idle speed adjustment (T)

Check that the air filter is clean. When the idle speed is correct, the cutting attachment will not rotate. If adjustment is required, close (clockwise) the T-screw, with the engine running, until the cutting attachment starts to rotate. Open (counterclockwise) the screw until the cutting attachment stops. You have reached the correct idle speed when the engine runs smoothly in all positions well below the rpm when the cutting attachment starts to rotate.

If the cutting attachment still rotates after idle speed adjustment, contact Authorized Service Centers.

NOTE

Standard Idle rpm is 2500–3000 min⁻¹.

WARNING

When the engine is idling the cutting attachment must under no circumstances rotate.

Air filter (Fig. 27)

The air filter must be cleaned from dust and dirt in order to avoid:

- Carburetor malfunctions
- Starting problems

- Engine power reduction
- Unnecessary wear on the engine parts
- Abnormal fuel consumption

Clean the air filter daily or more often if working in exceptionally dusty areas.

Cleaning the air filter

Remove the air filter cover and the filter (21). Rinse it in warm soap suds. Check that the filter is dry before reassembly. An air filter that has been used for some time cannot be cleaned completely. Therefore, it must regularly be replaced with a new one. A damaged filter must always be replaced.

Fuel filter (Fig. 28)

Drain all fuel from fuel tank and pull fuel filter line from tank. Pull filter element out of holder assembly and rinse element in warm water with detergent.

Rinse thoroughly until all traces of detergent are eliminated. Squeeze, do not wring, away excess water and allow element to air dry.

NOTE

If element is hard due to excessive dirt buildup, replace it.

Spark plug (Fig. 29)

The spark plug condition is influenced by:

- An incorrect carburetor setting
- Wrong fuel mixture (too much oil in the gasoline)
- A dirty air filter
- Hard running conditions (such as cold weather)

These factors cause deposits on the spark plug electrodes, which may result in malfunction and starting difficulties. If the engine is low on power, difficult to start or runs poorly at idling speed, always check the spark plug first. If the spark plug is dirty, clean it and check the electrode gap. Re-adjust if necessary. The correct gap is 0.6 mm. The spark plug should be replaced after about 100 operation hours or earlier if the electrodes are badly eroded.

Angle transmission (Fig. 30)

Check angle transmission or angle gear for

grease level about every 50 hours of operation by removing the grease filler plug on the side of angle transmission.

If no grease can be seen on the flanks of the gears, fill the transmission with quality lithium based multipurpose grease up to 3/4. Do not completely fill the transmission.

Nylon head

Nylon line replacement

Remove the cutting body cap by pushing inward the locking tabs on the side of the nylon head (Fig. 32). Take out the spool (Fig. 33), hook the new nylon line into the hole of the spool, then wind it around the spool (Fig. 34).

When the nylon line has been wound around the spool, temporarily fasten it in the opening of the spool at about 10 cm from the end. (Fig. 35) Then thread the nylon line through the hole on the side of the nylon head and place the cutting body cap in reverse order of the cap removal (Fig. 36). Pull the right and left nylon lines until they are secured about 15 - 16 cm from the end. (Fig. 37)

NOTE

- The nylon head is designed for nylon lines with an outer diameter of 2.5 mm. Do not use nylon lines with a different outer diameter.
- Make sure that the right and left nylon lines are of equal length since vibrations will otherwise increase.

Flexible shaft

Lubricate flexible shaft from clutch housing side by removing it every 20 hours of use.

Blade

WARNING

Wear protective gloves when handling or performing maintenance on the blade. (Fig. 31)

- Use a sharp blade. A dull blade is more likely to snag and thrust. Replace the fastening nut if it is damaged and hard to tighten.
- When replacing blade, purchase one recommended by with a 25.4 mm (one inch) fitting hole.
- When installing a saw blade, always face the stamped side up. In the case of a 3 tooth

blade, it can be used on either side.

- Use the correct blade for the type of work.
- When replacing blades, use appropriate tools.
- When cutting edges become dull, re-sharpen or file as shown in the illustration. Incorrect sharpening may cause excessive vibration.
- Discard blades that are bent, warped, cracked, broken or damaged in any way.

NOTE

When sharpening blade it is important to maintain an original shape of radius at the base of the tooth to avoid cracking.

Maintenance schedule

Below you will find some general maintenance instructions. For further information please contact your dealer.

Daily maintenance

- Clean the exterior of the unit.
- Check that the harness is undamaged.
- Check the blade guard for damage or cracks. Change the guard in case of impacts or cracks.
- Check that the cutting attachment is properly centred, sharp, and without cracks. An off-centre cutting attachment induces heavy vibrations that may damage the unit.
- Check that the cutting attachment nut is sufficiently tightened.
- Make sure that the blade transport guard is undamaged and that it can be securely fitted.
- Check that nuts and screws are sufficiently tightened.
- Check that the unit is undamaged and free of defects.

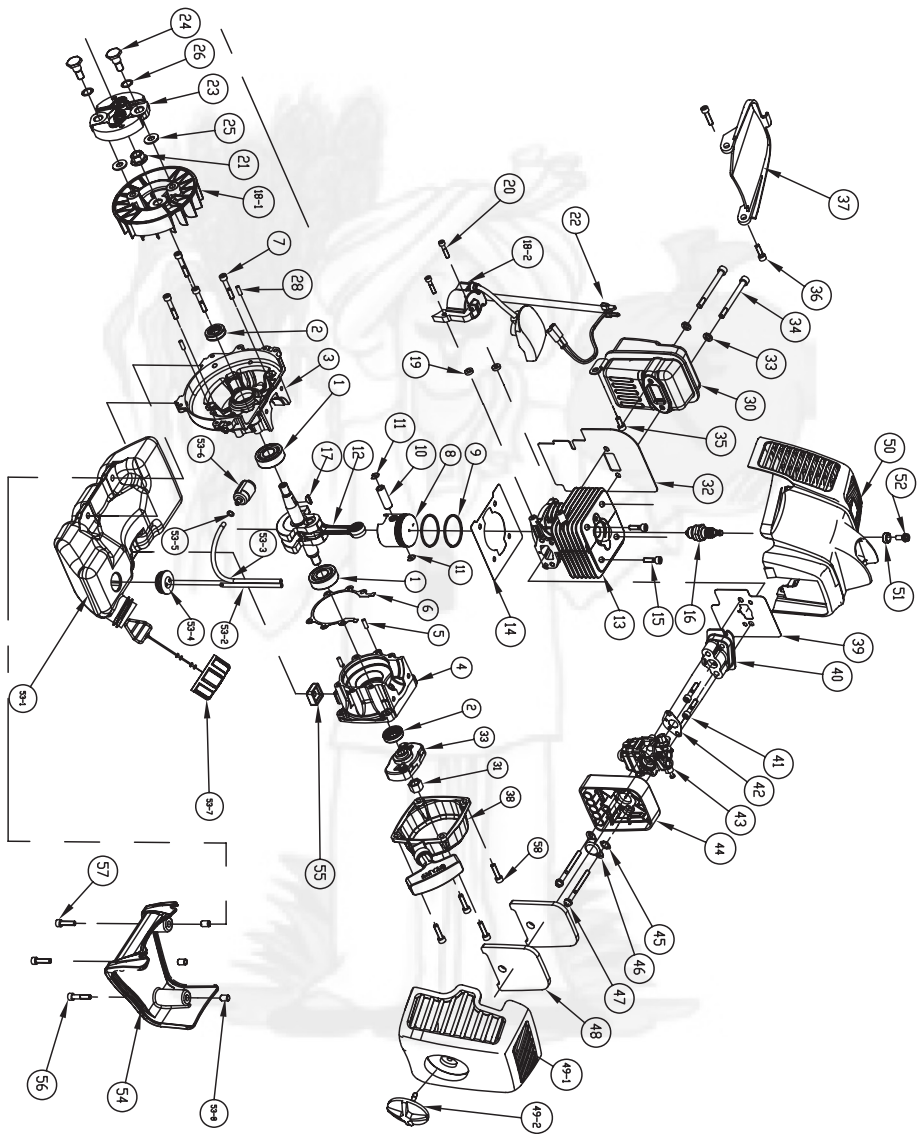
Weekly maintenance

- Check the starter, especially the cord and return spring.
- Clean the exterior of the spark plug.
- Remove it and check the electrode gap. Adjust it to 0.6 mm, or change the spark plug.
- Check that the angle gear is filled with grease up to 3/4.
- Clean the air filter.

Monthly maintenance

- Rinse the fuel tank with gasoline.
- Clean the exterior of the carburetor and the space around it.
- Clean the fan and the space around it.

KASEI-BRUSH CUTTER BACK PACK-KZ-4000BP-PRO-2S-ENGINE DIAGRAM

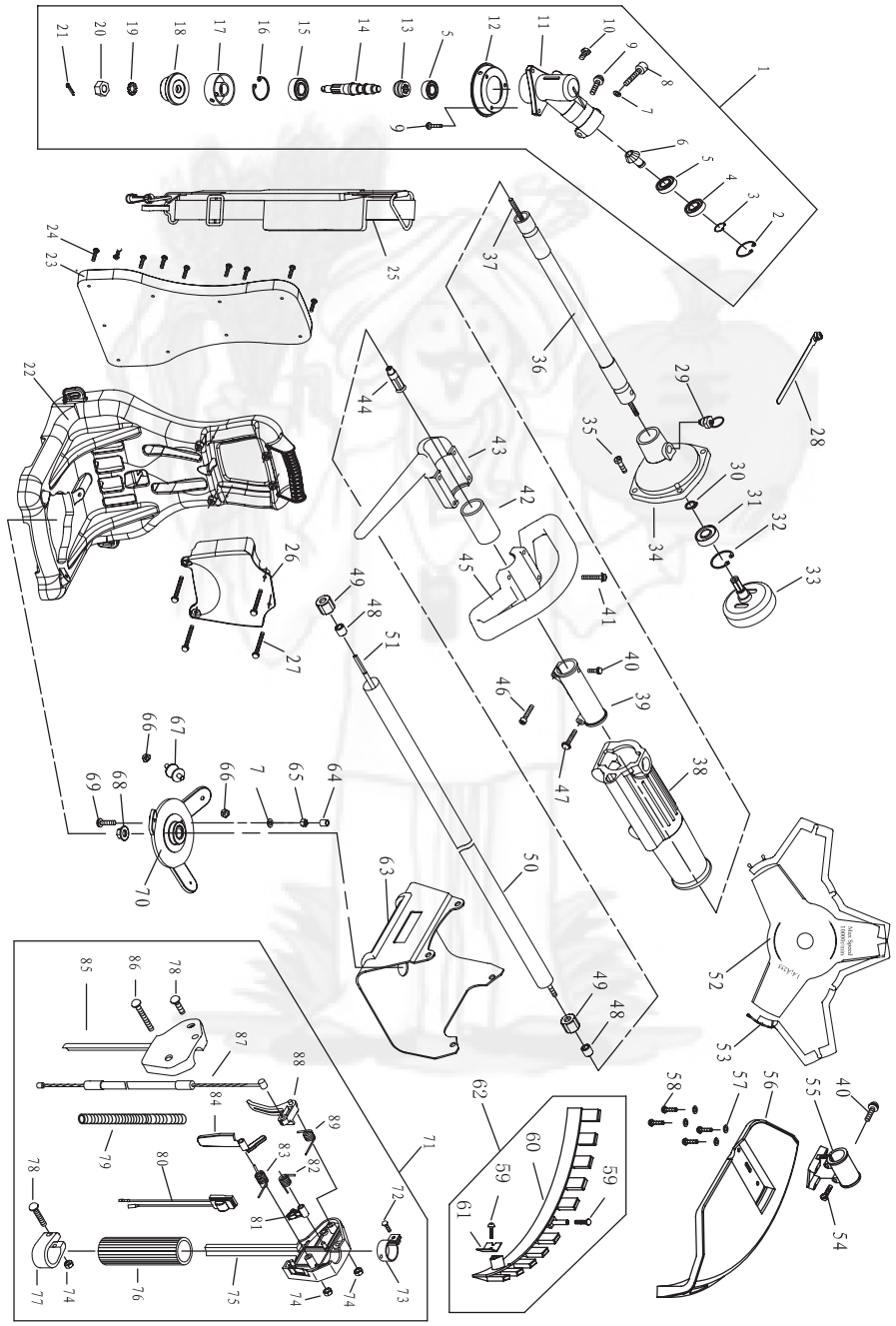


KASEI-BRUSH CUTTER BACK PACK-KZ-4000BP-PRO-2S-ENGINE SPARE PARTS LIST

No	Part No.	Part Description
1	KZ-4000BP-EN-01	BEARING 6202/P4
2	KZ-4000BP-EN-02	OIL SEAL
3	KZ-4000BP-EN-03	CRANK CASE F
4	KZ-4000BP-EN-04	CRANK CASE R
5	KZ-4000BP-EN-05	PIN
6	KZ-4000BP-EN-06	GASKET CRANK CASE
7	KZ-4000BP-EN-07	SCREW 5x30
8	KZ-4000BP-EN-08	PISTON
9	KZ-4000BP-EN-09	PISTON RING
10	KZ-4000BP-EN-10	PISTON PIN
11	KZ-4000BP-EN-11	RING
12	KZ-4000BP-EN-12	CRANK SHAFT ASS'Y
		NEEDLE BEARING
13	KZ-4000BP-EN-13	CYLINDER
14	KZ-4000BP-EN-14	CYLINDER GASKET
15	KZ-4000BP-EN-15	SCREW 5x18
16	KZ-4000BP-EN-16	SPARK PLUG
17	KZ-4000BP-EN-17	KEY
18-1	KZ-4000BP-EN-18-1	ROTOR MAGNET
18-2	KZ-4000BP-EN-18-2	IG COIL
19	KZ-4000BP-EN-19	SPACER
20	KZ-4000BP-EN-20	SCREW 4x20
21	KZ-4000BP-EN-21	NUT M10x1.25
22	KZ-4000BP-EN-22	WIRE LEAD ASS'Y
23	KZ-4000BP-EN-23	CLUTCH ASS'Y
24	KZ-4000BP-EN-24	CLUTCH BOLT
25	KZ-4000BP-EN-25	CLUTCH WASHER
26	KZ-4000BP-EN-26	WAVE WASHER
27	KZ-4000BP-EN-27	FAN COVER
28	KZ-4000BP-EN-28	PIN
29	KZ-4000BP-EN-29	SCREW M5x20
30	KZ-4000BP-EN-30	MUFFLER
31	KZ-4000BP-EN-31	NUT M10x1.25
32	KZ-4000BP-EN-32	MUFFLER GASKET

No	Part No.	Part Description
33	KZ-4000BP-EN-33	STARTER PULLEY
34	KZ-4000BP-EN-34	SCREW M6x70-10.9
35	KZ-4000BP-EN-35	SCREW 5x12
36	KZ-4000BP-EN-36	SCREW 5x16
37	KZ-4000BP-EN-37	CLAPBOARD
38	KZ-4000BP-EN-38	STARTER
39	KZ-4000BP-EN-39	GASKET
40	KZ-4000BP-EN-40	INSULATOR
41	KZ-4000BP-EN-41	SCREW M5x25
42	KZ-4000BP-EN-42	CARBURETOR GASKET
43	KZ-4000BP-EN-43	CARBURETOR
44	KZ-4000BP-EN-44	CLEANER BODY
45	KZ-4000BP-EN-45	WASHER
46	KZ-4000BP-EN-46	SPIT BACK SHIELD
47	KZ-4000BP-EN-47	SCREW M5x55
48	KZ-4000BP-EN-48	FILTER
49-1	KZ-4000BP-EN-49-1	CLEANER COVER
49-2	KZ-4000BP-EN-49-2	KNOB
50	KZ-4000BP-EN-50	TOP COVER
51	KZ-4000BP-EN-51	GASKET
52	KZ-4000BP-EN-52	SCREW M5x20
53-1	KZ-4000BP-EN-53-1	FUEL TANK
53-2	KZ-4000BP-EN-53-2	PIPE RETURN
53-3	KZ-4000BP-EN-53-3	PIPE INTAKE
53-4	KZ-4000BP-EN-53-4	GROMMET
53-5	KZ-4000BP-EN-53-5	CLIP PIPE
53-6	KZ-4000BP-EN-53-6	FILTER
53-7	KZ-4000BP-EN-53-7	TANK CAP
53-8	KZ-4000BP-EN-53-8	COLLAR
54	KZ-4000BP-EN-54	ENGINE STAND
55	KZ-4000BP-EN-55	SPACER
56	KZ-4000BP-EN-56	SCREW M5x25
57	KZ-4000BP-EN-57	SCREW M5x20
58	KZ-4000BP-EN-58	SCREW M5x20

KASEI-BRUSH CUTTER BACK PACK-KZ-4000BP-PRO-2S TRANSMISSION DIAGRAM



KASEI-BRUSH CUTTER BACK PACK-KZ-4000BP-PRO-2S TRANSMISSION PARTS LIST

No	Part No.	Part Description
1	KZ-4000BP-T01	GEAR CASE ASS'Y
2	KZ-4000BP-T02	STOP RING 26
3	KZ-4000BP-T03	STOP RING 10
4	KZ-4000BP-T04	BEARING 6000-2RS/P5
5	KZ-4000BP-T05	BEARING 6000/P5
6	KZ-4000BP-T06	PINION
7	KZ-4000BP-T07	WASHER
8	KZ-4000BP-T08	SCREW
9	KZ-4000BP-T09	SCREW
10	KZ-4000BP-T10	SCREW
11	KZ-4000BP-T11	GEAR CASE
12	KZ-4000BP-T12	BLADE COVER
13	KZ-4000BP-T13	GEAR
14	KZ-4000BP-T14	GEAR SHAFT
15	KZ-4000BP-T15	BEARING 6002-2RS/P5
16	KZ-4000BP-T16	STOP RING 32
17	KZ-4000BP-T17	HOLDER A
18	KZ-4000BP-T18	HOLDER B
19	KZ-4000BP-T19	WASHER 10
20	KZ-4000BP-T20	LEFT NUT
21	KZ-4000BP-T21	PIN 2X16
21-1	KZ-4000BP-T21-1	BLADE COVER
22	KZ-4000BP-T22	SHOULDER FRAME
23	KZ-4000BP-T23	SHOULDER PLATE COMP
24	KZ-4000BP-T24	SCREW M4.5X15
25	KZ-4000BP-T25	SHOULDER BELT ASS'S
26	KZ-4000BP-T26	COVER
27	KZ-4000BP-T27	SCREW
28	KZ-4000BP-T28	WIRECLAMP BAND
29	KZ-4000BP-T29	PIN
30	KZ-4000BP-T30	STOP RING 15
31	KZ-4000BP-T31	BEARING 6202-2RS/P5
32	KZ-4000BP-T32	STOP RING
33	KZ-4000BP-T33	CLUTH DRUM COMP
34	KZ-4000BP-T34	CLUTH CASE
35	KZ-4000BP-T35	SCREW
36	KZ-4000BP-T36	FLESIBLE LINE COMP
37		
38	KZ-4000BP-T38	GRIP
39	KZ-4000BP-T39	JOINT PIPE
40	KZ-4000BP-T40	SCREW M5X12
41	KZ-4000BP-T41	SCREW M5X30
42	KZ-4000BP-T42	RUBBER COVER
43	KZ-4000BP-T43	HANDLE COVER

KASEI-BRUSH CUTTER BACK PACK-KZ-4000BP-PRO-2S TRANSMISSION PARTS LIST

No	Part No.	Part Description
44	KZ-4000BP-T44	ADAPTER COMP
45	KZ-4000BP-T45	HANDLE
46	KZ-4000BP-T46	SCREW
47	KZ-4000BP-T47	SCREW
48	KZ-4000BP-T48	OIL-BEARING
49	KZ-4000BP-T49	RUBBER COVER
50	KZ-4000BP-T50	PIPE
51	KZ-4000BP-T51	DRIVE SHAFT
52	KZ-4000BP-T52	BLADE
53	KZ-4000BP-T53	COVER
54, 55, 57, 58	KZ-4000BP-T54-55, 57, 58	BRACKET ASS'Y
56	KZ-4000BP-T56	SAFETY GUARD
59	KZ-4000BP-T59	SCREW
60	KZ-4000BP-T60	GUARD
61	KZ-4000BP-T61	BLADE
62	KZ-4000BP-T62	GUARD
63	KZ-4000BP-T63	STAND
64	KZ-4000BP-T64	TUBE
65	KZ-4000BP-T65	NUT
66	KZ-4000BP-T66	NUT
67	KZ-4000BP-T67	CUSHION RUBBER COMP
68	KZ-4000BP-T68	NUT
69	KZ-4000BP-T69	SCREW
70	KZ-4000BP-T70	DOWN BASE
71	KZ-4000BP-T71	LEVER ASS'Y
72		
73	KZ-4000BP-T73	SCREW
74	KZ-4000BP-T74	NUT
75	KZ-4000BP-T75	BOX ,RIGHT
76	KZ-4000BP-T76	RUBBER COVER
77	KZ-4000BP-T77	CLAMP
78	KZ-4000BP-T78	SCREW
79	KZ-4000BP-T79	TUBE
80	KZ-4000BP-T80	STOP SWITCH
81	KZ-4000BP-T81	SPRING
82	KZ-4000BP-T82	SPRING
83	KZ-4000BP-T83	SPRING
84	KZ-4000BP-T84	SAFETY LEVER
85	KZ-4000BP-T85	BOX ,LEFT
86	KZ-4000BP-T86	SCREW
87	KZ-4000BP-T87	CABLE COMP
88	KZ-4000BP-T88	THROTTLE LEVER
89	KZ-4000BP-T89	SPRING

INSPECTION & MAINTENANCE

For safety use, make sure the machine is cleaned every three-months. Before working, make sure to inspect the filter and the nozzle, and ensure there is no impurity. After working, make sure there is no water in the pump and the hose.

If the machine needs to be repaired in the guarantee period, please return the machine to the shop. You need to provide the certificate of purchase in order to repair or get the substitute.

Before Packing, the machine should be cleaned, then use closed packaging, packaging should be firm. Store the machine in dry place.

For transportation safety. The machine should comply with ISTA.



Meaning of crossed - out wheeled dustbin:

Do not dispose of electrical machines as unsorted municipal waste, use separate collection facilities.

If electrical machines are disposed of in landfills or dumps, hazardous substances can leak into the groundwater and get into the food chain, damaging your health and well-being.

When replacing old machines with new ones, the retailer is legally obligated to take back your old machine for disposals at least free of charge.

Warranty Card

CUSTOMER COPY



Purchaser's Name & Address

Date of Delivery

Product Name

KZ-4000BP-PRO-2S BRUSH CUTTER BACK PACK

Dealer's Office Seal

Product Serial No.

Dealer Sign _____

Customer Sign. _____

Invoice / DN No.

I/We accept the terms and conditions of Warranty as in the Warranty Card.

Warranty Card

DEALER'S COPY



Purchaser's Name & Address

Date of Delivery

Product Name

KZ-4000BP-PRO-2S BRUSH CUTTER BACK PACK

Dealer's Office Seal

Product Serial No.

Dealer Sign _____

Customer Sign. _____

Invoice / DN No.

I/We accept the terms and conditions of Warranty as in the Warranty Card.

Warranty Card

COMPANY COPY



Purchaser's Name & Address

Date of Delivery

Product Name

KZ-4000BP-PRO-2S BRUSH CUTTER BACK PACK

Dealer's Office Seal

Product Serial No.

Dealer Sign _____

Customer Sign. _____

Invoice / DN No.

I/We accept the terms and conditions of Warranty as in the Warranty Card.

1. **LIMITED WARRANTY PERIOD** : For a period of six months from the date of Sale / delivery of the product which ever is earlier. 2. **LIMITED WARRANTY OBLIGATION** : Replacement of defective part(s) by authorized dealer are free of charges. If found defective by reasons of defective material / poor workmanship, parts will be replaced and there will be no value re-imbusement. 3. **TERMS & CONDITIONS** : a. Claims under warranty will be accepted on submission of Warranty Card duly filled and stamped by authorized dealer together with the original purchase document. : b. Shipping / transportation / Incidental charges incurred in replacing defective parts under warranty shall be borne by the purchaser.

WARRANTY null & void if

- (i) Lack of maintenance, (ii) Incorrect use of the machine or tampering, (iii) Use of non-genuine spare parts, (iv) Usage of acids, solvents, or any flammable materials, (v) Non-usage of filter water / clear water / soft water & using water above 40°C temperature, (vi) While using the pressure washers to draw water which is contaminated with dust & solvents (eg. paint thinners, gasoline, oil, etc.), (vii) Repair done by unauthorized service people, (viii) Those parts subject to wear & tear due to normal operations and plastic parts, rubber items etc, (ix) Loose connections, faulty electrical fixtures & fluctuations in power supply.
4. Should any failure occur during or after the warranty period, customer does not have the right to interrupt payment / price discount.
 5. Incidental or consequential damages like inconvenience commercial loss, loss of tie, mental agony etc.
 6. Loss of any nature due to operation or non-operation is not covered under warranty.
 7. All free service are at Dealer's service point only.
 8. Warranty ceases if service is not done periodically.
 9. The attached card should be completed and returned to Ratnagiri Impex Pvt. Ltd. for registration immediately after sale / delivery.
 10. The warranty is void unless you register the warranty card with Ratnagiri Impex Pvt. Ltd.
 11. The decision of Ratnagiri Impex Pvt. Ltd., in settling the warranty is final in all respects.
 12. All disputes are subject to Bangalore Courts Jurisdiction

1. **LIMITED WARRANTY PERIOD** : For a period of six months from the date of Sale / delivery of the product which ever is earlier. 2. **LIMITED WARRANTY OBLIGATION** : Replacement of defective part(s) by authorized dealer are free of charges. If found defective by reasons of defective material / poor workmanship, parts will be replaced and there will be no value re-imbusement. 3. **TERMS & CONDITIONS** : a. Claims under warranty will be accepted on submission of Warranty Card duly filled and stamped by authorized dealer together with the original purchase document. : b. Shipping / transportation / Incidental charges incurred in replacing defective parts under warranty shall be borne by the purchaser.

WARRANTY null & void if

- (i) Lack of maintenance, (ii) Incorrect use of the machine or tampering, (iii) Use of non-genuine spare parts, (iv) Usage of acids, solvents, or any flammable materials, (v) Non-usage of filter water / clear water / soft water & using water above 40°C temperature, (vi) While using the pressure washers to draw water which is contaminated with dust & solvents (eg. paint thinners, gasoline, oil, etc.), (vii) Repair done by unauthorized service people, (viii) Those parts subject to wear & tear due to normal operations and plastic parts, rubber items etc, (ix) Loose connections, faulty electrical fixtures & fluctuations in power supply.
4. Should any failure occur during or after the warranty period, customer does not have the right to interrupt payment / price discount.
 5. Incidental or consequential damages like inconvenience commercial loss, loss of tie, mental agony etc.
 6. Loss of any nature due to operation or non-operation is not covered under warranty.
 7. All free service are at Dealer's service point only.
 8. Warranty ceases if service is not done periodically.
 9. The attached card should be completed and returned to Ratnagiri Impex Pvt. Ltd. for registration immediately after sale / delivery.
 10. The warranty is void unless you register the warranty card with Ratnagiri Impex Pvt. Ltd.
 11. The decision of Ratnagiri Impex Pvt. Ltd., in settling the warranty is final in all respects.
 12. All disputes are subject to Bangalore Courts Jurisdiction

1. **LIMITED WARRANTY PERIOD** : For a period of six months from the date of Sale / delivery of the product which ever is earlier. 2. **LIMITED WARRANTY OBLIGATION** : Replacement of defective part(s) by authorized dealer are free of charges. If found defective by reasons of defective material / poor workmanship, parts will be replaced and there will be no value re-imbusement. 3. **TERMS & CONDITIONS** : a. Claims under warranty will be accepted on submission of Warranty Card duly filled and stamped by authorized dealer together with the original purchase document. : b. Shipping / transportation / Incidental charges incurred in replacing defective parts under warranty shall be borne by the purchaser.

WARRANTY null & void if

- (i) Lack of maintenance, (ii) Incorrect use of the machine or tampering, (iii) Use of non-genuine spare parts, (iv) Usage of acids, solvents, or any flammable materials, (v) Non-usage of filter water / clear water / soft water & using water above 40°C temperature, (vi) While using the pressure washers to draw water which is contaminated with dust & solvents (eg. paint thinners, gasoline, oil, etc.), (vii) Repair done by unauthorized service people, (viii) Those parts subject to wear & tear due to normal operations and plastic parts, rubber items etc, (ix) Loose connections, faulty electrical fixtures & fluctuations in power supply.
4. Should any failure occur during or after the warranty period, customer does not have the right to interrupt payment / price discount.
 5. Incidental or consequential damages like inconvenience commercial loss, loss of tie, mental agony etc.
 6. Loss of any nature due to operation or non-operation is not covered under warranty.
 7. All free service are at Dealer's service point only.
 8. Warranty ceases if service is not done periodically.
 9. The attached card should be completed and returned to Ratnagiri Impex Pvt. Ltd. for registration immediately after sale / delivery.
 10. The warranty is void unless you register the warranty card with Ratnagiri Impex Pvt. Ltd.
 11. The decision of Ratnagiri Impex Pvt. Ltd., in settling the warranty is final in all respects.
 12. All disputes are subject to Bangalore Courts Jurisdiction



1st Free Service Coupon

ISO 9001-2008
CERTIFIED COMPANY

FREE SERVICE COUPON (30 Days / 20 hrs (Which ever is earlier))

Model

KZ-4000BP-PRO-2S BRUSH CUTTER BACK PACK

Serial Number

PDI Date

Service No.

Purchase bill no.

Date

Dealer's Office Seal & Signature

Operations:

- Check and Test the Fuel Mixture.
- Check and Clean the Air Filter
- Check, Clean and Adjust the Spark plug
- Check and Adjust the Carburetor Tuning
- Check and Sharpen the cutting Tools
- Start and Check the Noise, Vibration, Loosen / Fasteners etc.
- Product familiarization on Usage
- Routine maintenance and Storage

Customer Signature.....

Conditions: Operations listed have been performed to my entire satisfaction without any labour charges. Only consumables were charged.



agriculture | horticulture | sericulture | plantations | forestry | garden | health care

WARRANTY AND FREE SERVICE COUPON



2nd Free Service Coupon

ISO 9001-2008
CERTIFIED COMPANY

FREE SERVICE COUPON (30 Days / 20 hrs (Which ever is earlier))

Model

KZ-4000BP-PRO-2S BRUSH CUTTER BACK PACK

Serial Number

PDI Date

Service No.

Purchase bill no.

Date

Dealer's Office Seal & Signature

Operations:

- Check and Test the Fuel Mixture.
- Check and Clean the Air Filter
- Check, Clean and Adjust the Spark plug
- Check and Adjust the Carburetor Tuning
- Check and Sharpen the cutting Tools
- Start and Check the Noise, Vibration, Loosen / Fasteners etc.
- Product familiarization on Usage
- Routine maintenance and Storage

Customer Signature.....

Conditions: Operations listed have been performed to my entire satisfaction without any labour charges. Only consumables were charged.



agriculture | horticulture | sericulture | plantations | forestry | garden | health care

WARRANTY AND FREE SERVICE COUPON



3rd Free Service Coupon

ISO 9001-2008
CERTIFIED COMPANY

FREE SERVICE COUPON (30 Days / 20 hrs (Which ever is earlier))

Model

KZ-4000BP-PRO-2S BRUSH CUTTER BACK PACK

Serial Number

PDI Date

Service No.

Purchase bill no.

Date

Dealer's Office Seal & Signature

Operations:

- Check and Test the Fuel Mixture.
- Check and Clean the Air Filter
- Check, Clean and Adjust the Spark plug
- Check and Adjust the Carburetor Tuning
- Check and Sharpen the cutting Tools
- Start and Check the Noise, Vibration, Loosen / Fasteners etc.
- Product familiarization on Usage
- Routine maintenance and Storage

Customer Signature.....

Conditions: Operations listed have been performed to my entire satisfaction without any labour charges. Only consumables were charged.



agriculture | horticulture | sericulture | plantations | forestry | garden | health care

WARRANTY AND FREE SERVICE COUPON



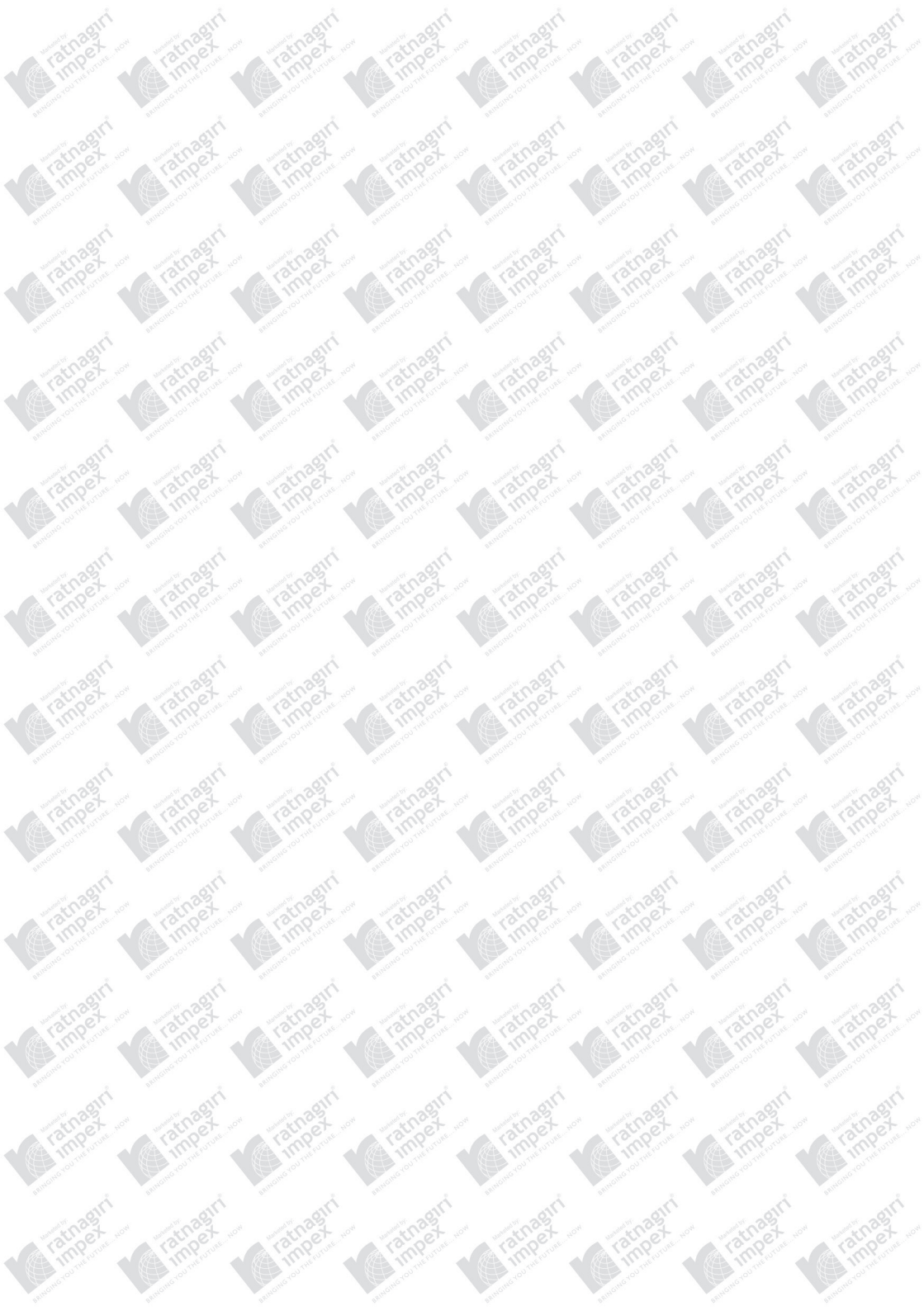
Small Maintenance. Big Savings.



Small Maintenance. Big Savings.



Small Maintenance. Big Savings.





KASEI
Multi-products,
multi-applications

Imported & Marketed by

RATNAGIRI IMPEX PVT LTD

Annapurna House, #1/1G, 7th Cross, New Guddadahalli

Mysore Road, Bangalore-560 026

Customer Care: 1800-425-3036

email: info@ratnagiriimpex.com

www.ratnagiriimpex.com



Marketed by:
**ratnagiri[®]
impex**
BRINGING YOU THE FUTURE... NOW

AN ISO 9001:2008 CERTIFIED COMPANY