

746 T Brushcutter



Documents

Engine

Starter assy and clutch

Transmission

Tank and air filter

Accessories

Carburetor WYK-104, WYK-143A

Bevel gear

Illustrated parts list (Head "Load and Go" Ø130)

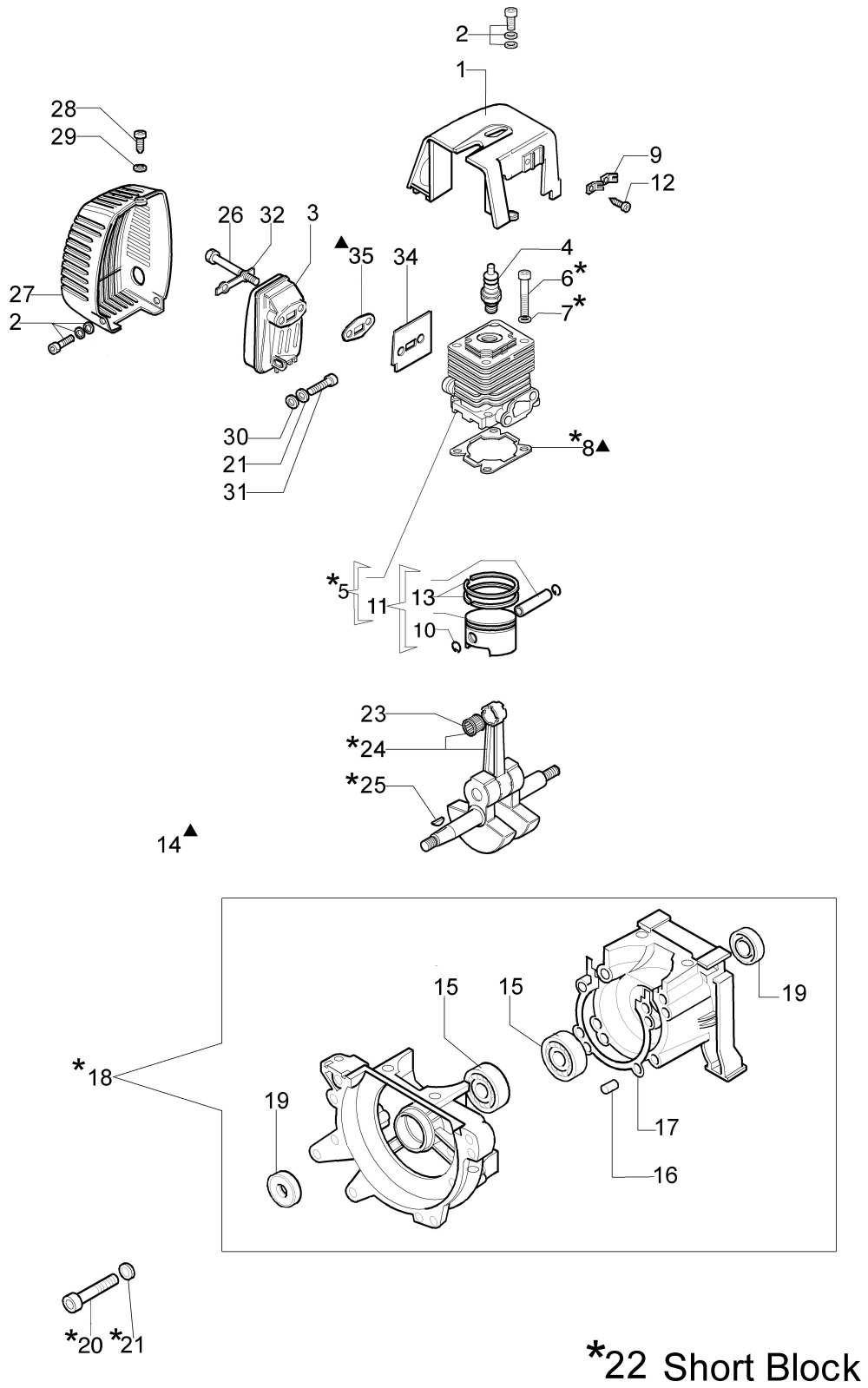


Illustration Engine

Ref.Nu	Qty	Part number	Description	Validity from	Validity till	Notes	Bulletin
1	1	61110032BR	Cylinder cover				
2	3	4175089A	Screw				
3	1	61110012FR	Muffler				
4	1	3055115	Spark plug bpmr7a				
5	1	61122014F	Complete cylinder	SN 1801267753			BT3-084-03/09, BT3-112-11/11
6	4	3801034	Screw				
7	4	3819010R	Washer				
8	1	61110005R	Gasket				
9	2	4191069BR	Plate		SN 1801399828		BT3-115-01/12
10	2	007201198R	Ring	SN 1801267753			BT3-112-11/11
10	2	4191005	Ring		SN 1801267752		BT3-084-03/09, BT3-112-11/11
11	1	61122015C	Piston assy Ø42	SN 1801267753			BT3-112-11/11
11	1	61122015C	Piston assy Ø42		SN 1801267752		BT3-084-03/09, BT3-112-11/11
12	2	3960030R	Screw		SN 1801399828		BT3-112-11/11
13	1	50070128R	Piston ring Ø42				BT3-084-03/09, BT3-112-11/11
14	1	61110068B	Gasket set				
15	2	3034012R	Bearing				
16	2	3023008R	Plug				
17	1	4191012R	Gasket				
18	1	61110145A	Crankcase assy				
19	2	3050015AR	Seal ring				
20	4	3801035	Screw				
21	3	3819006R	Washer				
22	1	61122021	Short block				
23	1	3037014R	Bearing				
24	1	4191214	Crankshaft				
25	1	3028013R	Key				
26	2	3806054AR	Screw				
27	1	61110230BR	Muffler cover				
28	1	3960017AR	Screw				
29	1	3916004R	Washer				
30	1	3916005R	Washer				
31	2	3801011R	Screw				
32	1	61110017R	Plate				
34	1	61110046	Gasket				
35	1	61110054R	Gasket				

Illustration Starter Assy and clutch

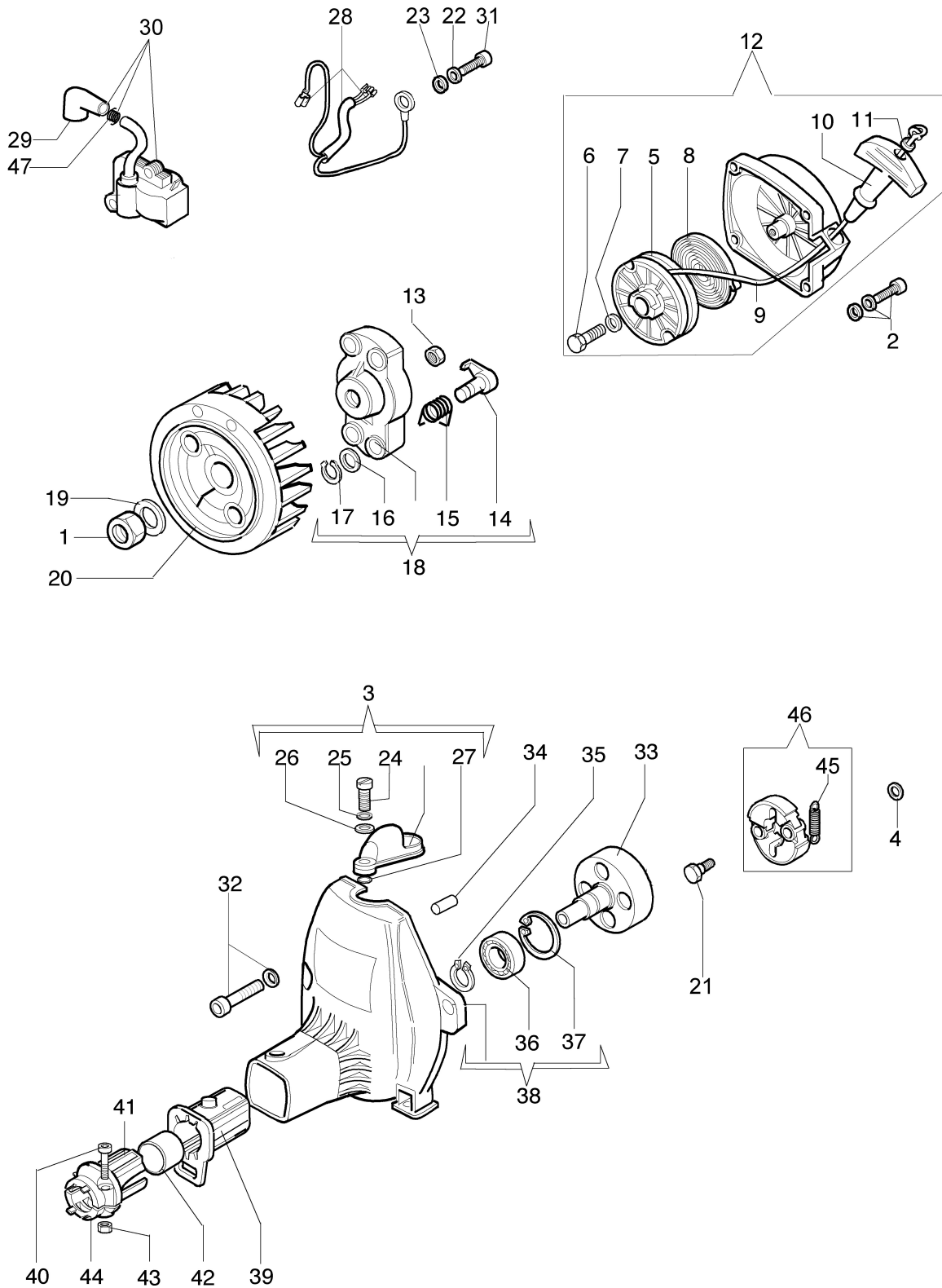


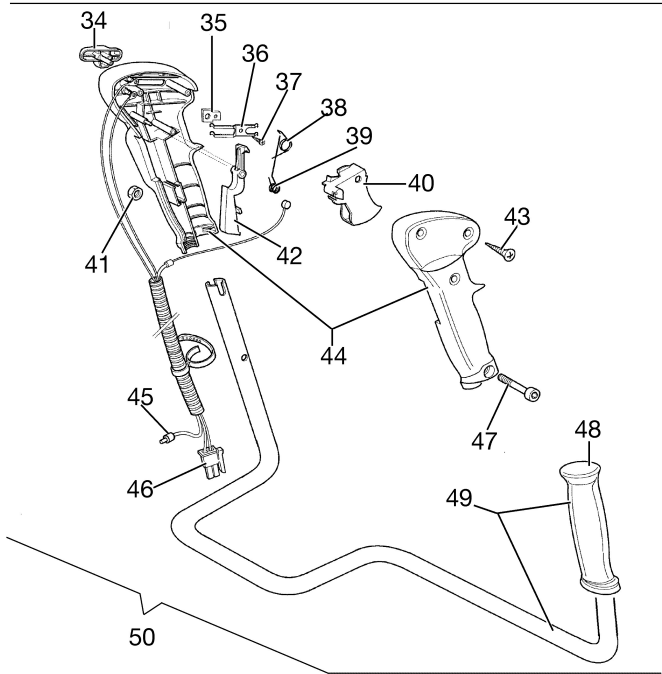
Illustration Starter assy and clutch

Ref.Nu	Qty	Part number	Description	Validity from	Validity till	Notes	Bulletin
1	1	3912012	Nut				
2	4	4175089A	Screw				
3	1	61112162BR	Guard				
4	2	3818011AR	Washer				
5	1	4191018BR	Starter pulley				
6	1	3960111	Screw				
7	1	3918006	Washer				
8	1	004000132R	Spring				
9	1	4098073R	Starter rope				
10	1	4191020A	Starter handle				
11	1	006000829	Washer				
12	1	61042001DR	Starter assy				
13	1	3933038	Nut				
14	2	4191016R	Pawl				
15	2	4191017A	Spring				
16	2	3064010R	Washer				
17	2	3024007R	Ring				
18	1	4191143R	Clutch driver				
19	1	3916010R	Washer				
20	1	61120077R	Flywheel				
21	2	4191027FR	Pin				
22	2	3819006R	Washer				
23	2	3918010R	Washer				
24	1	3908032R	Screw				
25	1	3819010R	Washer				
26	1	3916006R	Washer				
27	1	3049005R	O-ring				
28	1	61250282AR	Cable	SN 1801399829			BT3-115-01/12
28	1	61110105	Cable		SN 1801399828		BT3-115-01/12
29	1	4098064R	Spark plug cap				
30	1	4196142R	Ignition coil				
31	2	3801013R	Screw				
32	4	3801082	Screw				
33	1	4191030R	Clutch drum				
34	1	3023008R	Plug				
35	1	3024015R	Ring				
36	1	3035042R	Bearing				
37	1	3025022R	Ring				
38	1	61042024CR	Starter case				
39	1	61040010R	Sleeve				
40	2	3801016R	Screw				
41	1	61040017R	Adaptor				

Illustration Starter assy and clutch

Ref.Nu	Qty	Part number	Description	Validity from	Validity till	Notes	Bulletin
42	1	61040018	Bushing				
43	1	3914003R	Nut				
44	1	61040017R	Adaptor				
45	1	4191028R	Spring				
46	1	4191153BR	Clutch				
47	1	094600169AR	Spring				

II° serie / II° series



I° serie / I° series

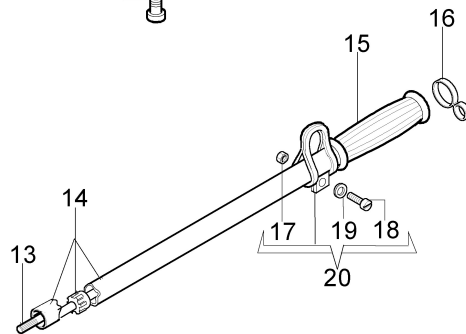
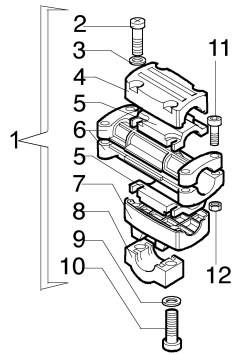
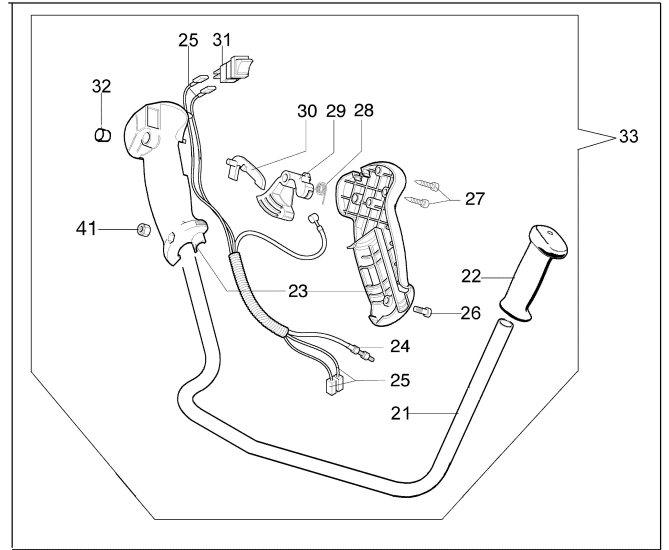


Illustration Transmission

Ref.Nu	Qty	Part number	Description	Validity from	Validity till	Notes	Bulletin
1	1	61112166R	Complete clamp				
2	4	3801017R	Screw				
3	4	3819006R	Washer				
4	1	61040028B	Cover				
5	2	4098800BR	Insert				
6	-		Not available for this product				
7	1	61040029B	Hub				
8	1	61110251R	Clamp				
9	2	3819010R	Washer				
10	2	3801026R	Screw				
11	4	3914003R	Nut				
12	4	3801015R	Screw				
13	1	4098116R	Drive shaft				
14	1	61040142CR	Tube Ø32				
15	1	4095033AR	Knob				
16	1	61170132R	Grommet				
17	1	3912009	Nut				
18	1	3908009	Screw				
19	1	3819006R	Washer				
20	1	4174108R	Band				
21	1	61110205R	Handle and knob		SN 1801399828		BT3-115-01/12
22	1	61040140R	Knob		SN 1801399828		BT3-115-01/12
23	1	61040131R	Handle		SN 1801399828		BT3-115-01/12
24	1	61110039AR	Throttle cable		SN 1801399828		BT3-115-01/12
25	1	61040083AR	Cable		SN 1801399828		BT3-115-01/12
26	3	3801016R	Screw		SN 1801399828		BT3-115-01/12
27	2	3960029	Screw		SN 1801399828		BT3-115-01/12
28	1	4138361R	Spring		SN 1801399828		BT3-115-01/12
29	1	4174245CR	Throttle lever		SN 1801399828		BT3-115-01/12
30	1	4174246AR	Lever		SN 1801399828		BT3-115-01/12
31	1	2317021R	Switch		SN 1801399828		BT3-115-01/12
32	1	61070056	Cap		SN 1801399828		BT3-115-01/12
33	1	61112071R	Handlebar		SN 1801399828		BT3-115-01/12
34	1	61170094	Slide control	SN 1801399829			BT3-115-01/12
35	1	61170113	Plate	SN 1801399829			BT3-115-01/12
36	1	61170093	Plate	SN 1801399829			BT3-115-01/12
37	1	3960061AR	Screw	SN 1801399829			BT3-115-01/12
38	1	61170096	Spring	SN 1801399829			BT3-115-01/12
39	1	61170095R	Spring	SN 1801399829			BT3-115-01/12
40	1	61170091	Throttle lever	SN 1801399829			BT3-115-01/12
41	1	3914003R	Nut	SN 1801399829			BT3-115-01/12
42	1	61170092	Lever	SN 1801399829			BT3-115-01/12

Illustration Transmission

Ref.Nu	Qty	Part number	Description	Validity from	Validity till	Notes	Bulletin
43	3	3960067AR	Screw	SN 1801399829			BT3-115-01/12
44	1	61072048	Handle kit	SN 1801399829			BT3-115-01/12
45	1	61110207R	Throttle cable	SN 1801399829			BT3-115-01/12
46	1	61110208	Cable	SN 1801399829			BT3-115-01/12
47	1	3801016R	Screw	SN 1801399829			BT3-115-01/12
48	1	61040140R	Knob	SN 1801399829			BT3-115-01/12
49	1	61110205R	Handle and knob	SN 1801399829			BT3-115-01/12
50	1	61110213R	Complete handle	SN 1801399829			BT3-115-01/12

Illustration Tank and air filter

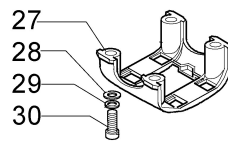
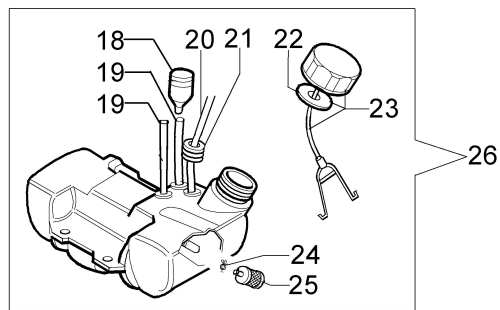
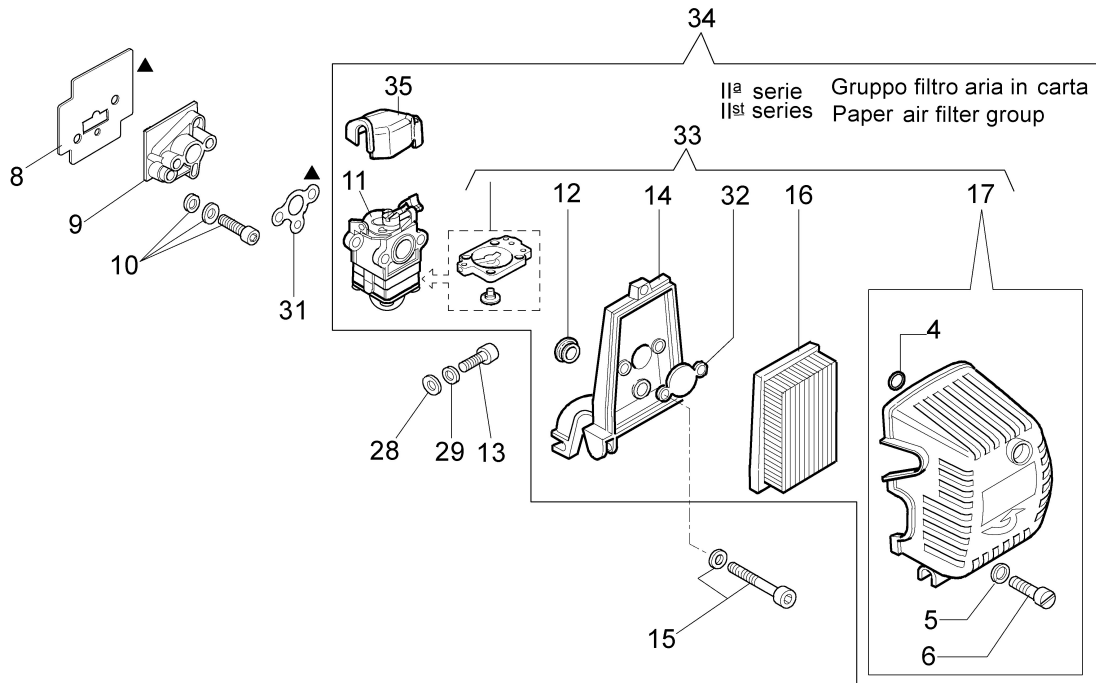
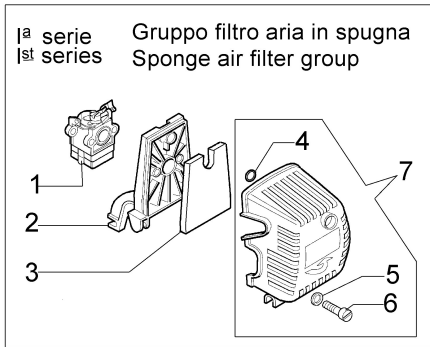


Illustration Tank and air filter

Ref.Nu	Qty	Part number	Description	Validity from	Validity till	Notes	Bulletin
1	1	61110098A	Carburetor kit WYK-143A				
2	1	61112003	Filter support				
3	1	61110010AR	Air filter				
4	1	008200282R	O-ring				
5	1	3916006R	Washer				
6	1	3908036	Screw				
7	1	61112027	Filter cover				
8	1	61110006DR	Gasket	SN 1802263843			BT3-122-04/13
9	1	61110007AR	Insulator				
10	2	4175124	Screw				
11	1	2318968BR	Carburetor WYK-143B				
12	1	61120022	Gasket				
13	1	3801011R	Screw				
14	1	61120024AR	Filter support				BT3-081-10/08
15	2	61112005R	Screw				
16	1	61120018R	Air filter				
17	1	61122022BR	Filter cover				
18	1	61070011AR	Breather valve				
19	2	50080134R	Tube				
20	2	3073021R	Tube				
21	1	4161211R	Bush				
22	1	61070006R	Gasket				
23	1	61070079AR	Tank cap				
24	1	4098377R	Band				
25	1	50010218R	Fuel filter				
26	1	61110267AR	Tank				
27	1	61040015CR	Stand				
28	4	3918005R	Washer				
29	4	3819006R	Washer				
30	4	3801013R	Screw				
31	1	61110008CR	Gasket				
32	1	61120020A	Plate				BT3-081-10/08
33	1	61120025B	Suction kit				
34	1	61110098A	Carburetor kit WYK-143A				
35	1	61120067R	Cover				BT3-081-10/08

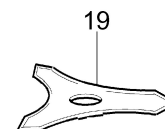
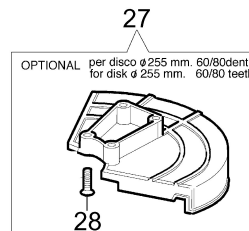
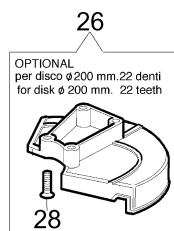
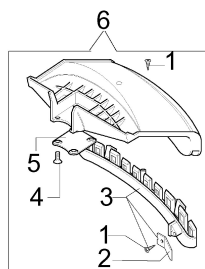
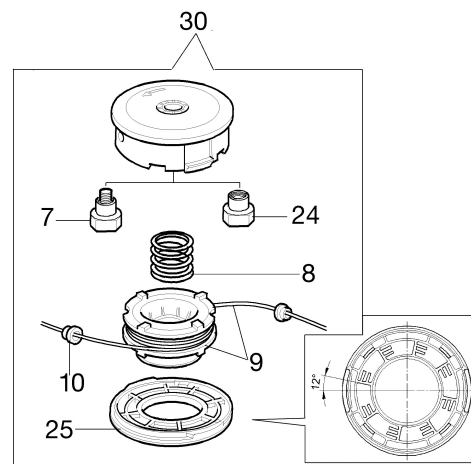
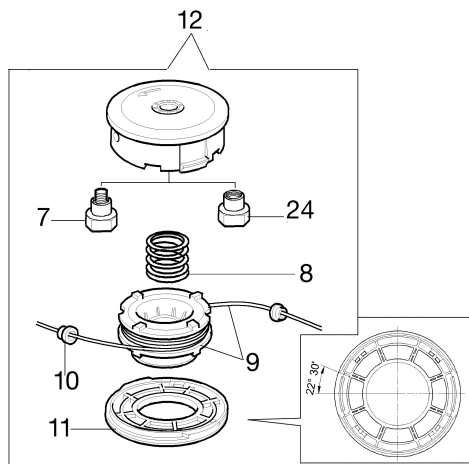
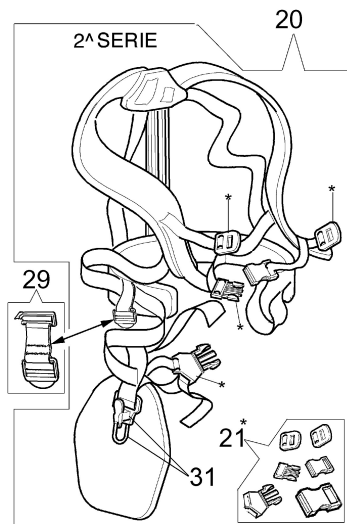
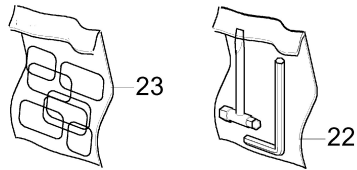
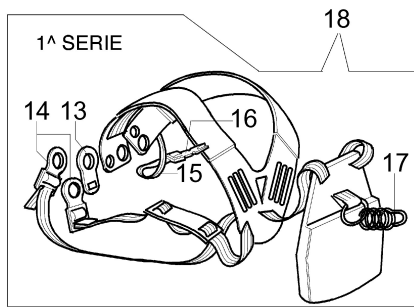
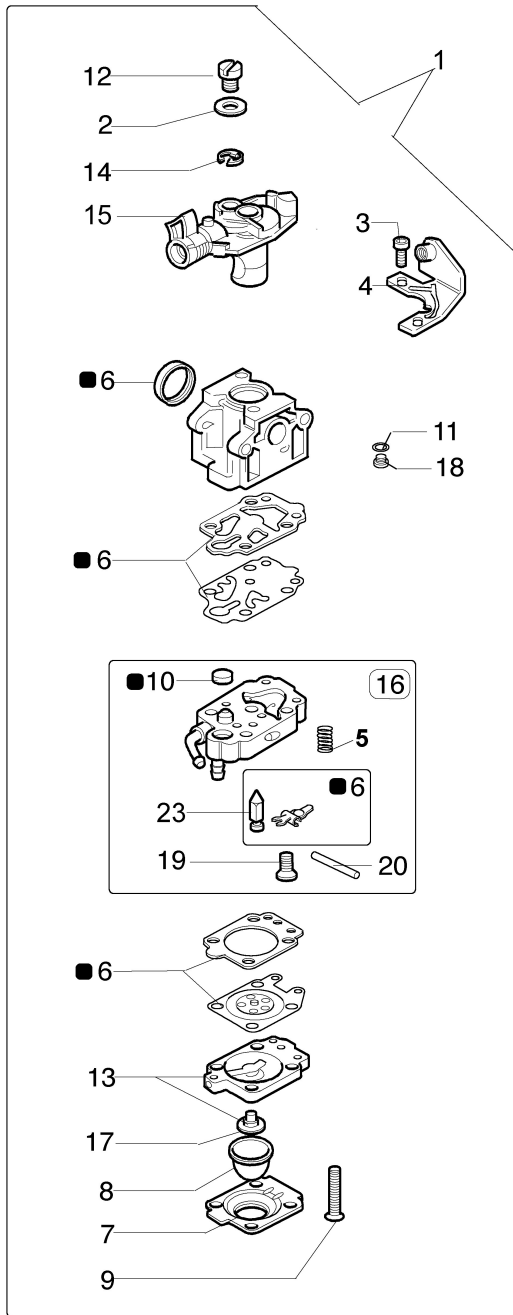


Illustration Accessories

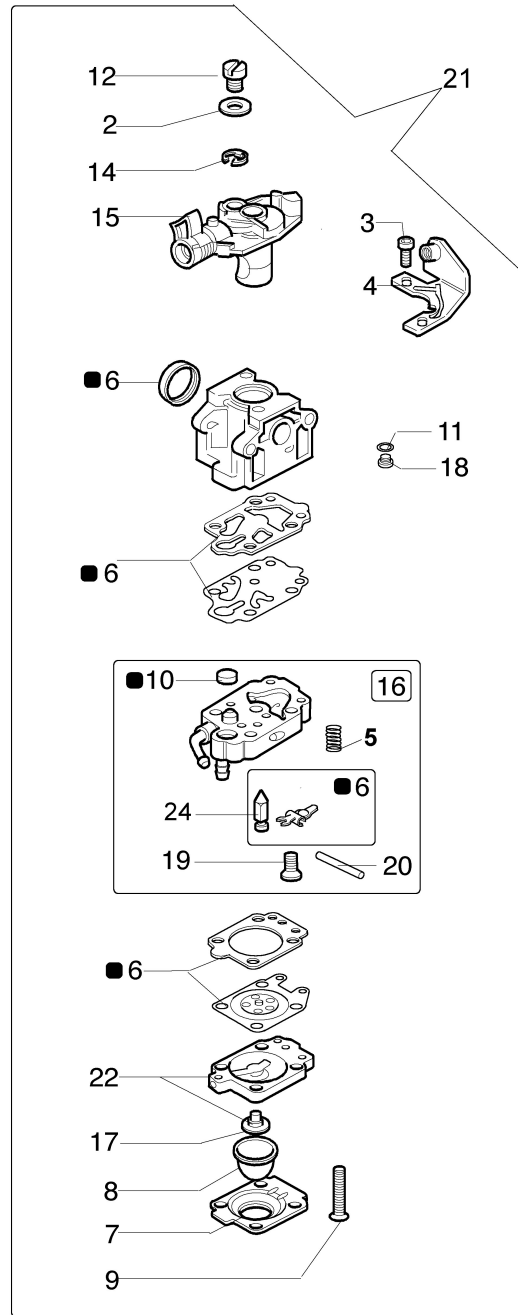
Ref.Nu	Qty	Part number	Description	Validity from	Validity till	Notes	Bulletin
1	2	3960040R	Screw				
2	1	4174275R	Blade				
3	1	61380126	Skirt w/blade				
4	4	3802004DR	Screw				
5	1	4174278R	Plate				
6	1	61380125	Guard kit				
7	1	4199008B	Insert (male)				
8	1	4199004	Spring				
9	1	4199052	Nylon spool				
10	2	4199005AR	Bushing				
11	1	4199026A	Cover				BT3-077-08/07
12	-		Not available for this product			Sostituita da testina completa codice 63019015	
13	1	4174113A	Plate				
14	1	4174117A	Grip-end			63019017 (inserto femmina); Replaced by	
15	1	4174157	Tape (red)				
16	1	4174111A	Key			(male insert), 63019017 (female insert)	
17	1	4098812A	Spring				
18	1	4174163	Harness				
19	1	4095665BR	3-tooth blade				
20	1	63070003AR	Harness				
21	1	63070025	Buckle set				
22	1	4191240	Tool kit				
23	1	61120010	Labels kit				
24	1	61110076	Insert (female)				
25	1	4199046	Cover				BT3-077-08/07
26	1	4174280R	Disc guard				
27	1	4174279R	Disc guard				
28	4	3802004DR	Screw				
29	1	63070036	Hooking spring				
30	1	61459102	Complete nylon head Ø 3			Inserto maschio; Male	BT3-077-08/07
30	1	61459102	Complete nylon head Ø 3			Inserto femmina; Female insert	BT3-077-08/07
31	1	63070039R	Hook				

per i modelli con filtro aria in spugna
for mod. with sponge air filter



● 6 KIT RIPARAZIONE
REPAIR SET

per i modelli con filtro aria in carta
for mod. with paper air filter



● 6 KIT RIPARAZIONE
REPAIR SET

Illustration Carburetor WYK-104, WYK-143A

Ref.Nu	Qty	Part number	Description	Validity from	Validity till	Notes	Bulletin
1	1	61110098A	Carburetor kit WYK-143A				
2	1	2318703	Washer				
3	1	2318580	Screw				
4	1	2318813	Support				
5	1	2318568	Spring				
6	1	2318674	Repair kit				
7	1	2318571	Cover				
8	1	2318572	Primer pump				
9	4	2318585	Screw				
10	1	003300204	Fuel filter				
11	1	2318701	O-ring				
12	1	2318577	Adjuster nut				
13	1	2318570	Primer body				
14	1	2318189	Ring				
15	1	2318843	Valve				
16	1	2318842	Pump body				
17	1	2318592	Valve				
18	1	2318623	Jet				
19	1	2318569	Screw				
20	1	003300201	Spindle				
21	1	61110098A	Carburetor kit WYK-143A				
22	1	2318969	Primer body				
23	1	2318674	Repair kit				
24	1	2318674	Repair kit				

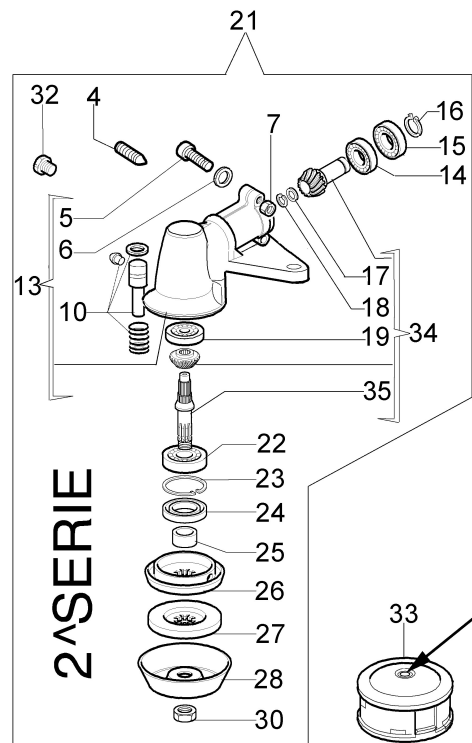
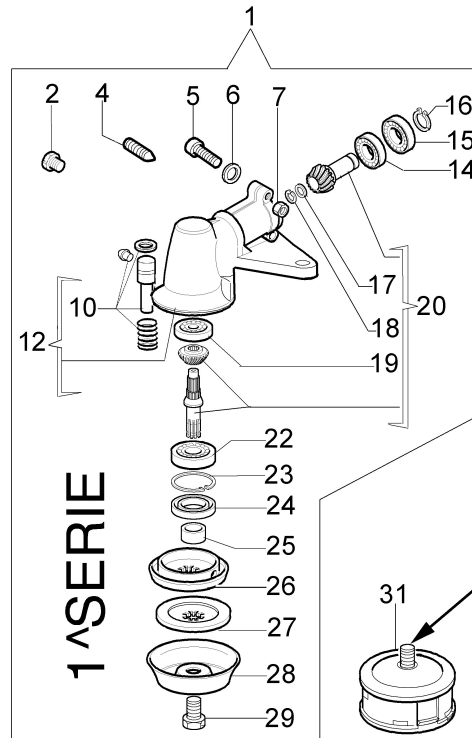


Illustration Bevel gear

Ref.Nu	Qty	Part number	Description	Validity from	Validity till	Notes	Bulletin
1	1	61112072BR	Bevel gear Ø32				
2	1	4138428	Cap				
4	1	3805010	Screw				
5	1	3801016R	Screw				BT3-088-09/09
6	1	3833073R	Washer				BT3-088-09/09
7	1	3912005R	Nut				BT3-085-03/09
10	1	4174338A	Pin set				
12	1	61112072BR	Bevel gear Ø32				
13	1	61110191	Gear case				BT3-088-09/09
14	1	3034019R	Bearing				
15	1	3035023R	Bearing				
16	1	3024012R	Snap ring				
17	1	4138311A	Ring				
18	1	3025009	Ring				
19	1	3034218R	Bearing				
20	1	4191233	Bevel gear set				
21	1	61112072BR	Bevel gear Ø32				BT3-088-09/09
22	1	3034012R	Bearing				
23	1	3025022R	Ring				
24	1	3050023R	Seal ring				
25	1	4138668	Spacer				
26	1	4191247R	Hub				
27	1	4179088R	Flange				
28	1	61110074R	Guard				
29	1	61040074AR	Screw				
30	1	61110075R	Nut				
31	1	61459102	Complete nylon head Ø 3				
32	1	61040071R	Cap				
33	1	61459102	Complete nylon head Ø 3				
34	1	61112058	Bevel gear set				
35	1	61110072R	Shaft				

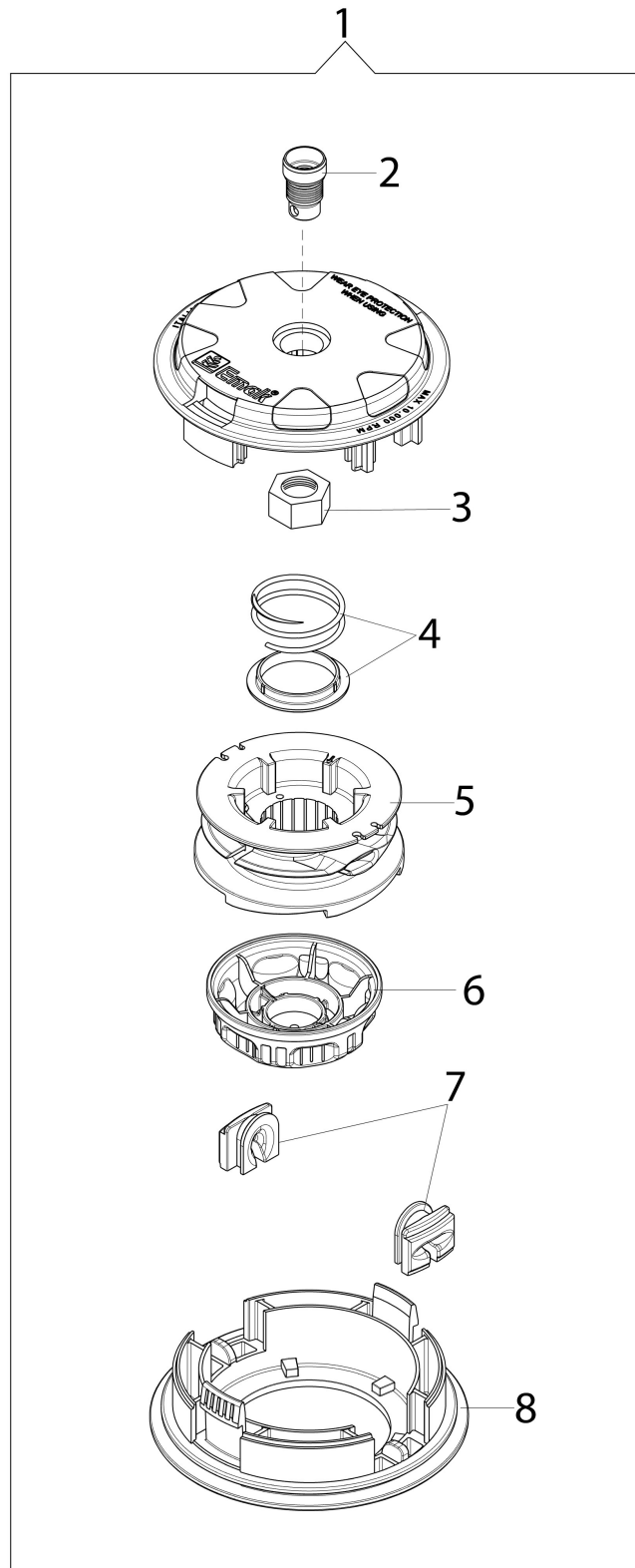


Illustration Illustrated parts list (Head "Load and Go" Ø130)

Ref.Nu	Qty	Part number	Description	Validity from	Validity till	Notes	Bulletin
1	1	63129015	Head Load&Go			ExtraLife	
1	1	63129008	Head Load&Go			Easy&LongLife	
2	1	63120041R	Insert				
3	1	63120040R	Nut				
4	1	63120031R	Kit spring				
5	1	63120020AR	Ignition coil				
6	1	63120030AR	Knob			ExtraLife	
6	1	63120007AR	Knob			Easy&LongLife	
7	2	63120001R	Bushing				
8	1	63120005R	Cover				